

DATA SHEET



S5LPJ2060 Correctal® T/0.5

- telecentric lens
- with c-mount
- with variable iris

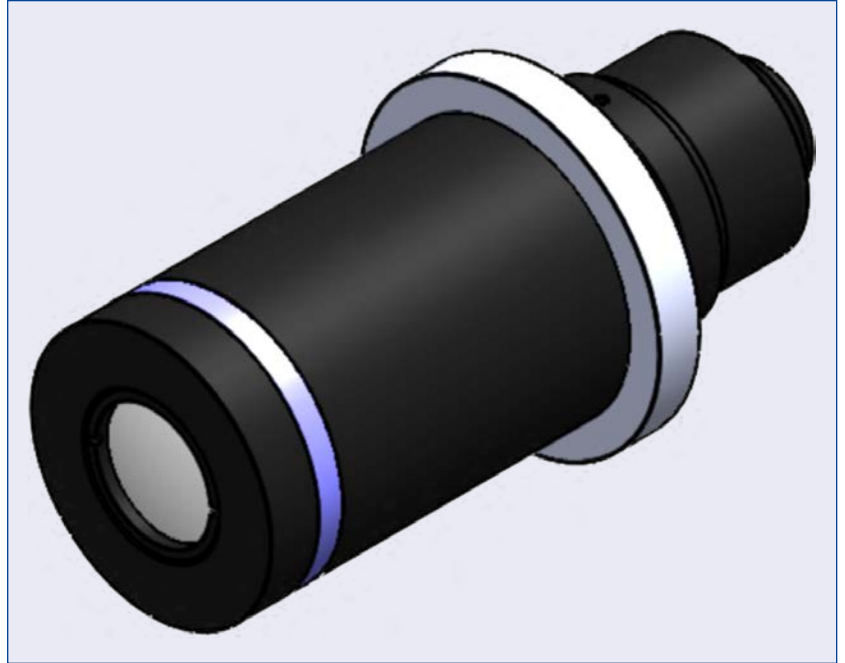
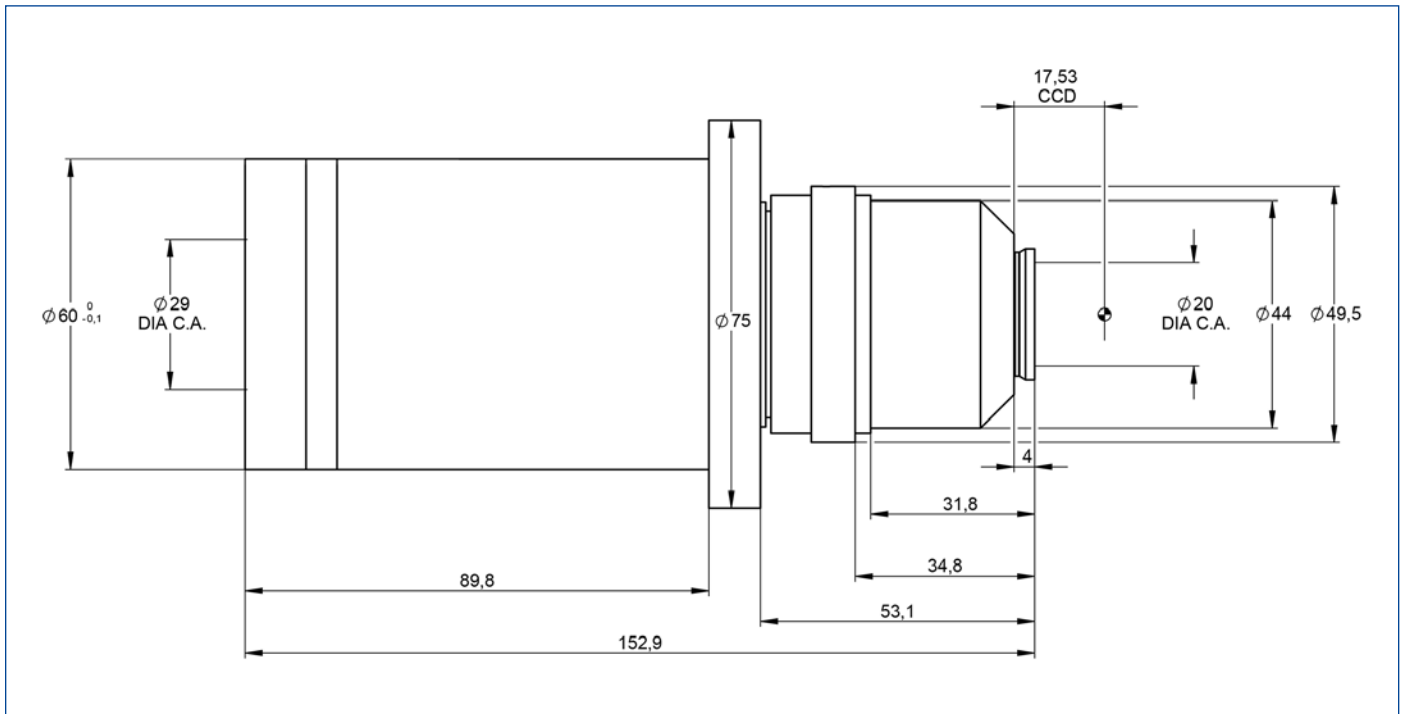


illustration only



outline drawing

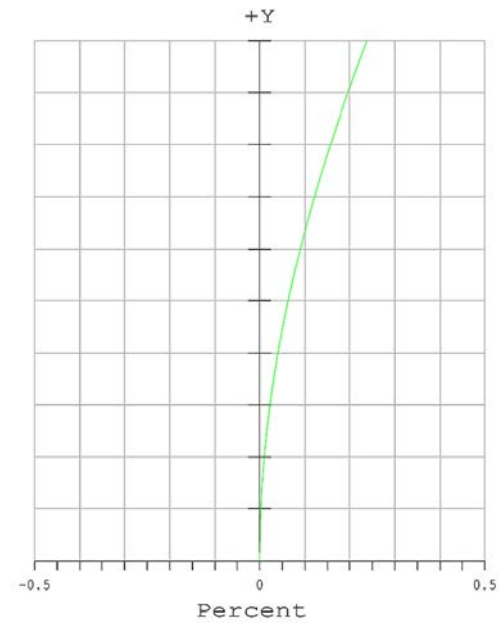
DATA SHEET



specifications

article number	S5LPJ2060
design wavelength [nm]	450-700
magnification (+/-5%)	0.502
working distance [mm] (+/-2%)	117.0
object size [mm]	9.5 x 7.1
at a chip size of [mm]	4.8 x 3.6 (1/3")
distortion [%]	0.15
object size [mm]	12.7 x 9.5
at a chip size of [mm]	6.4 x 4.8 (1/2")
distortion [%]	0.25
object size [mm]	17.5 x 13.1
at a chip size of [mm]	8.8 x 6.6 (2/3")
distortion [%]	0.3
max. telecentricity error [°]	0.06
numerical aperture	0.03
weight [kg]	0.55
flange back distance [mm]	17.53
accessory	S5SET0020, S5SET2060

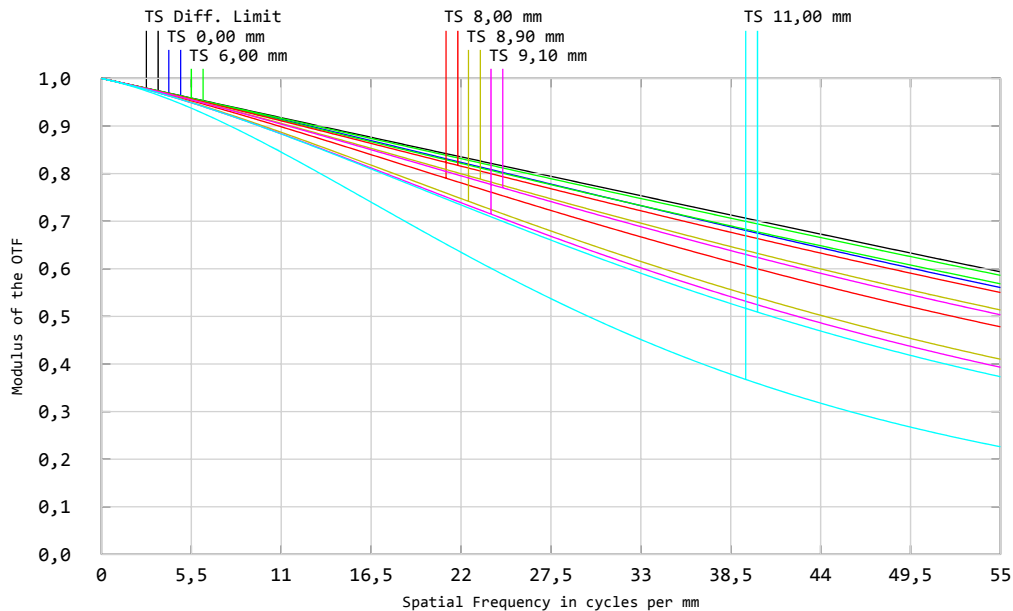
Distortion for 586 nm



x = distortion

y = max. field

MTF for various object heights at 586 nm



T. tangential

S. sagittal

graphs and data given by design.