

DATA SHEET



S5LPJ7626 Correctal® T/0.78

- telecentric lens
- with c-mount / fixed iris
- with fixed iris

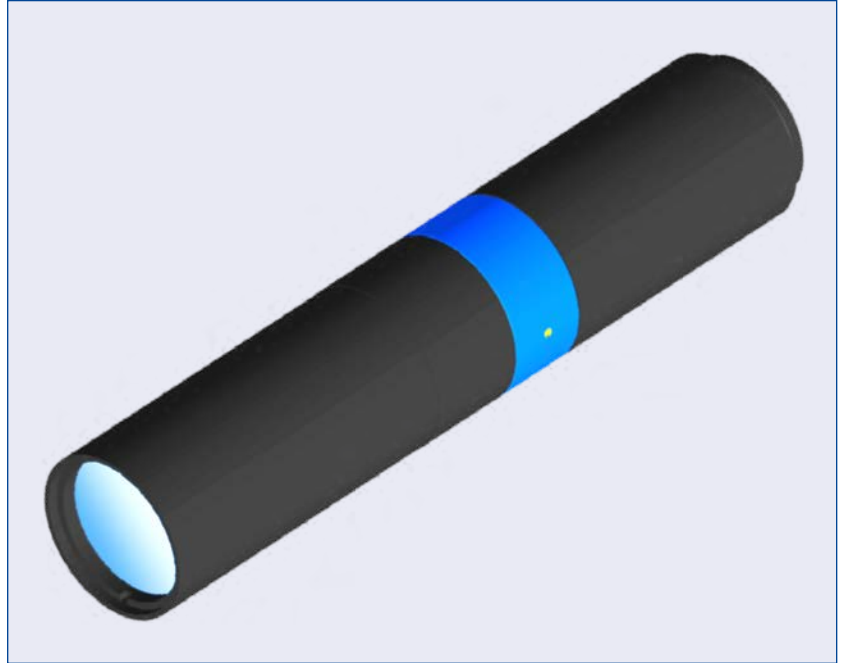
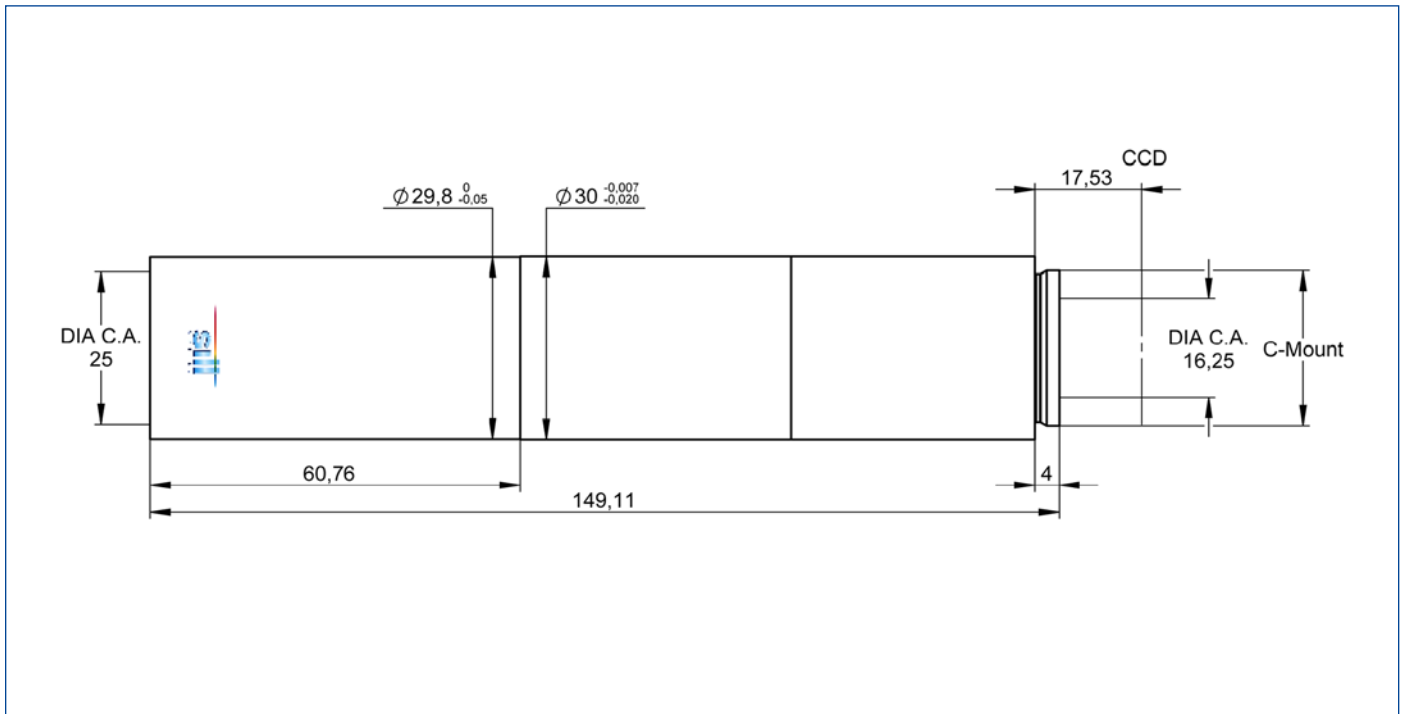


illustration only



outline drawing

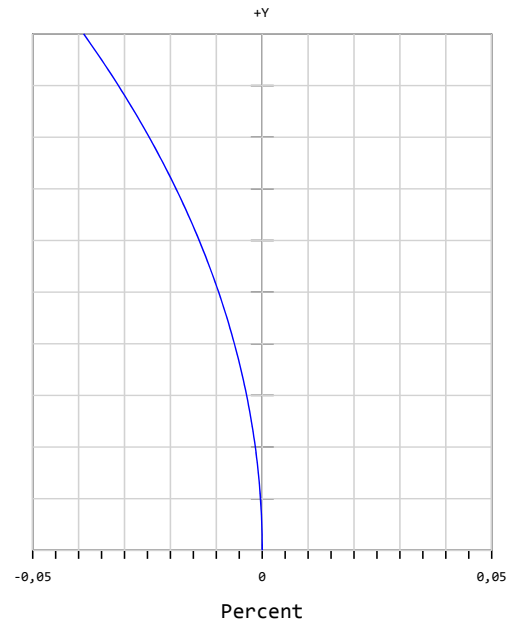
DATA SHEET



specifications

article number	S5LPJ7626
design wavelength [nm]	450-700
magnification (+/-5%)	0.793
working distance [mm] (+/-2%)	170.0
object size [mm]	6 x 4.5
at a chip size of [mm]	4.8 x 3.6 (1/3")
distortion [%]	<0.05
object size [mm]	8 x 6
at a chip size of [mm]	6.4 x 4.8 (1/2")
distortion [%]	<0.05
object size [mm]	---
at a chip size of [mm]	7.2 x 5.3 (1/1.8")
distortion [%]	---
max. telecentricity error [°]	< 0.01
numerical aperture	0.03
weight [kg]	0.20
flange back distance [mm]	17.53
accessory	---

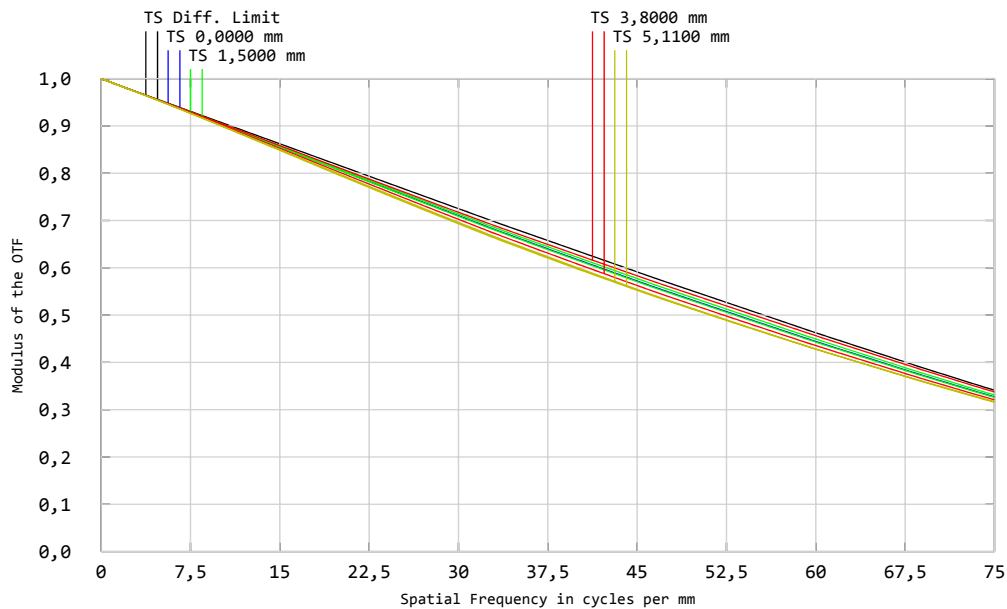
Distortion for 586 nm



x = distortion

y = max. field

MTF for various object heights at 586 nm



T. tangential

S. sagittal

graphs and data given by design.