

DATA SHEET



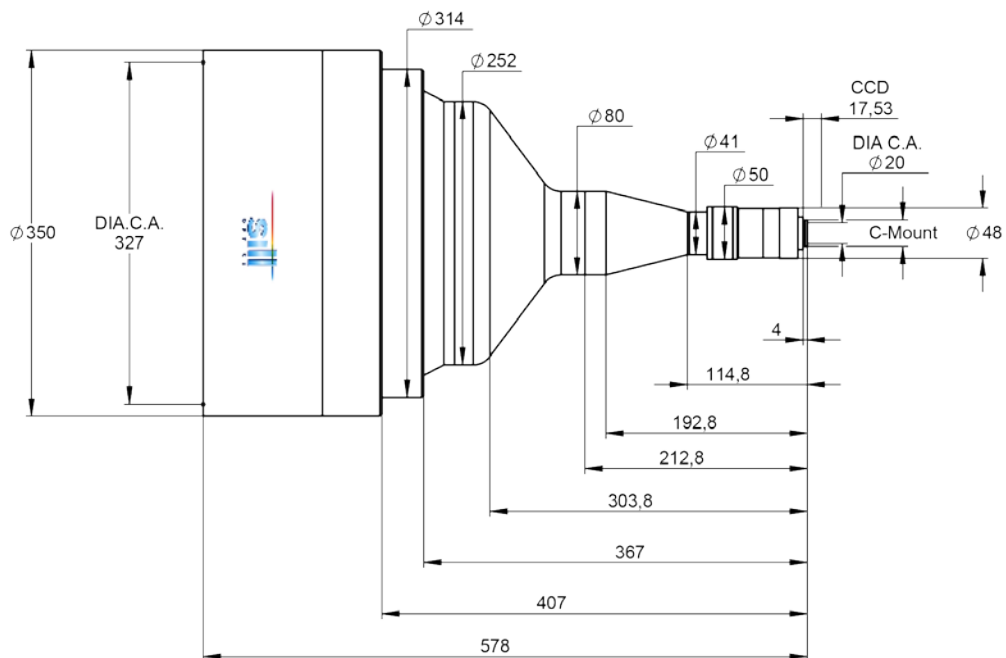
S5LPJ7320

SillVision XT300/0.05

- double-sided telecentric
- lens with c-mount
- with variable iris



illustration only



outline drawing

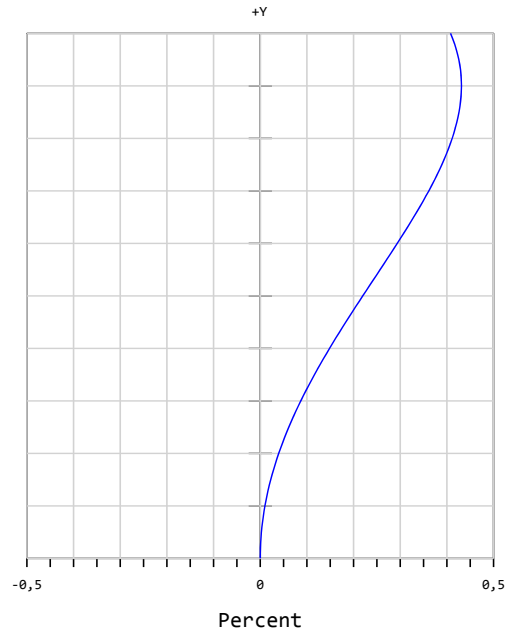
DATA SHEET



specifications

article number	S5LPJ7320
design wavelength [nm]	450-700
magnification (+/-5%)	0.047
working distance [mm] (+/-2%)	408.8
object size [mm]	102.1 x 76.5
at a chip size of [mm]	4.8 x 3.6 (1/3")
distortion [%]	0.3
object size [mm]	136.1 x 102.1
at a chip size of [mm]	6.4 x 4.8 (1/2")
distortion [%]	0.4
object size [mm]	187.2 x 140.4
at a chip size of [mm]	8.8 x 6.6 (2/3")
distortion [%]	0.4
max. telecentricity error [°]	0.18
numerical aperture	0.003
weight [kg]	26.50
flange back distance [mm]	17.53
accessory	---

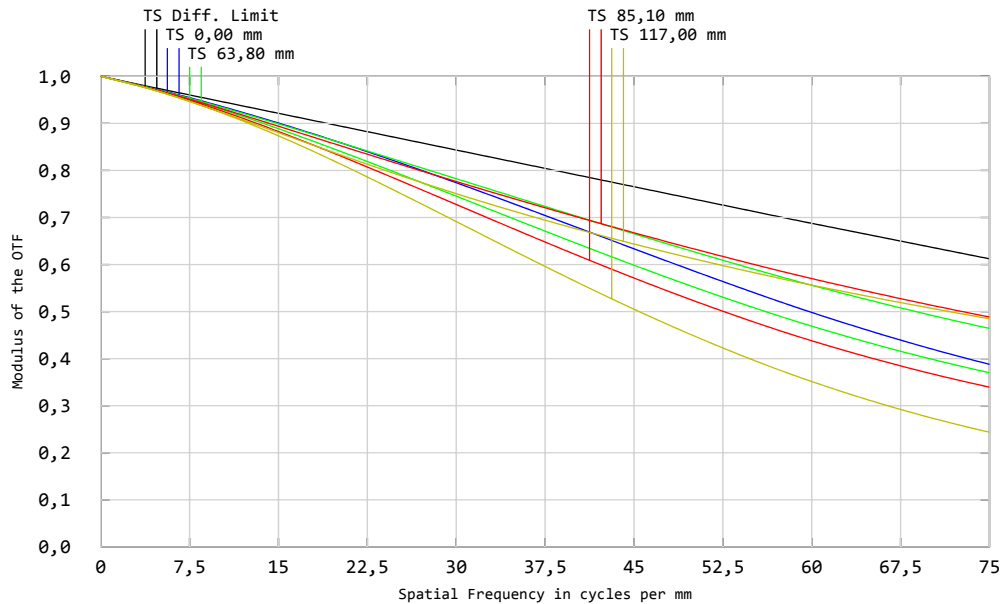
Distortion for 586 nm



x = distortion

y = max. field

MTF for various object heights at 586 nm



T. tangential

S. sagittal

graphs and data given by design.