

DATA SHEET



S5LPJ1555 Correctal® TDL120/0.46

- double-sided telecentric
- lens with M60x1
- with variable iris

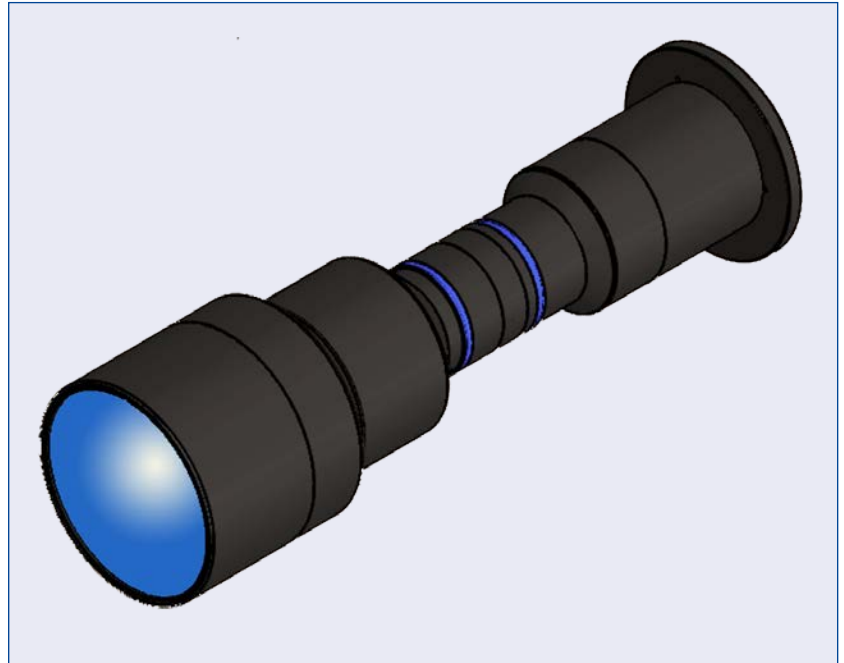
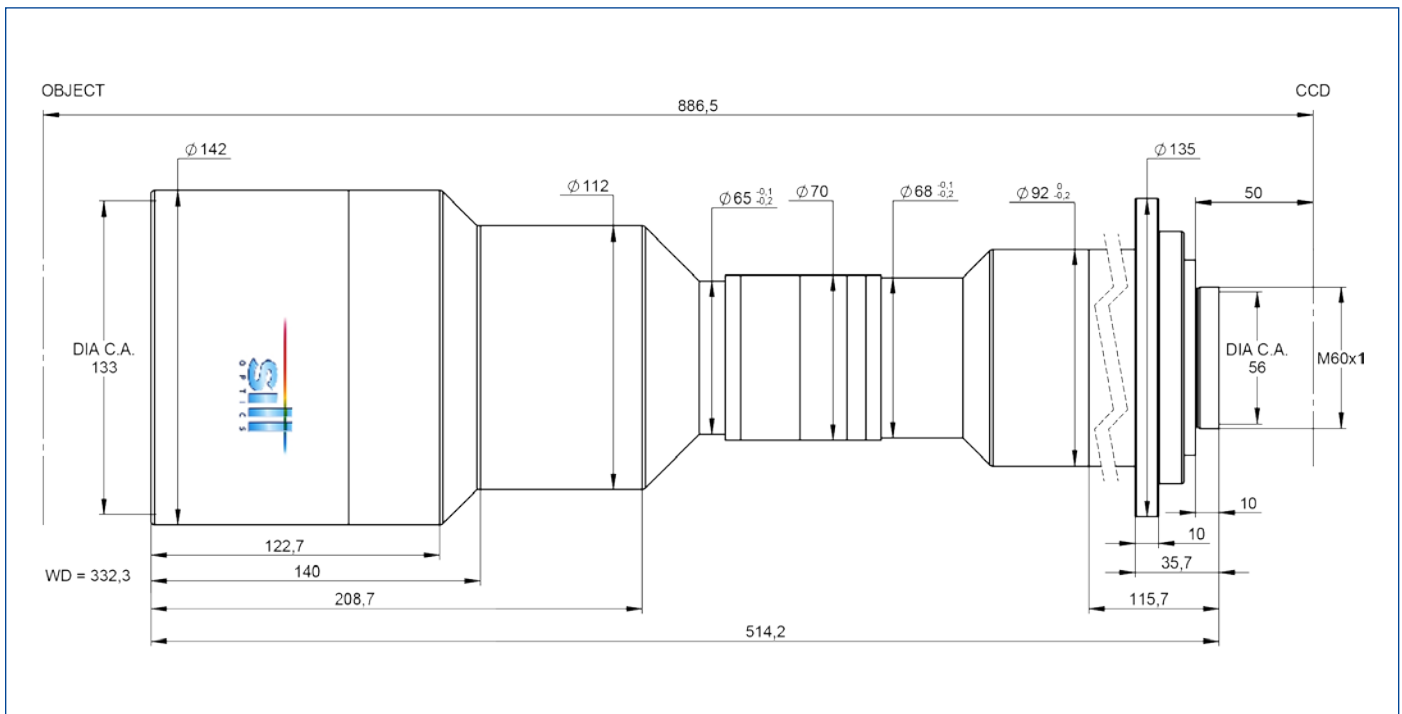


illustration only



outline drawing

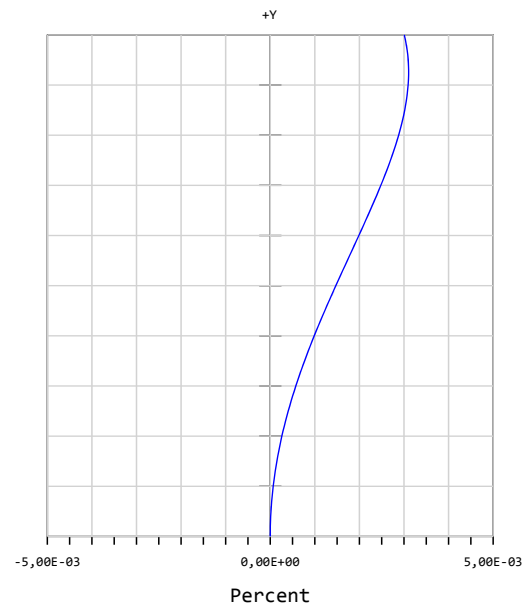
DATA SHEET



specifications

article number	S5LPJ1555
design wavelength [nm]	450-700
magnification (+/-5%)	0.461
working distance [mm] (+/-2%)	332.3
object size [mm]	62.00
at a chip size of [mm]	28.6
distortion [%]	<0.05
object size [mm]	78 x 52
at a chip size of [mm]	36.0 x 24.0 (KB)
distortion [%]	<0.05
object size [mm]	119.70
at a chip size of [mm]	55.2
distortion [%]	<0.05
max. telecentricity error [°]	0.5
numerical aperture	0.04
weight [kg]	8.70
flange back distance [mm]	50
accessory	---

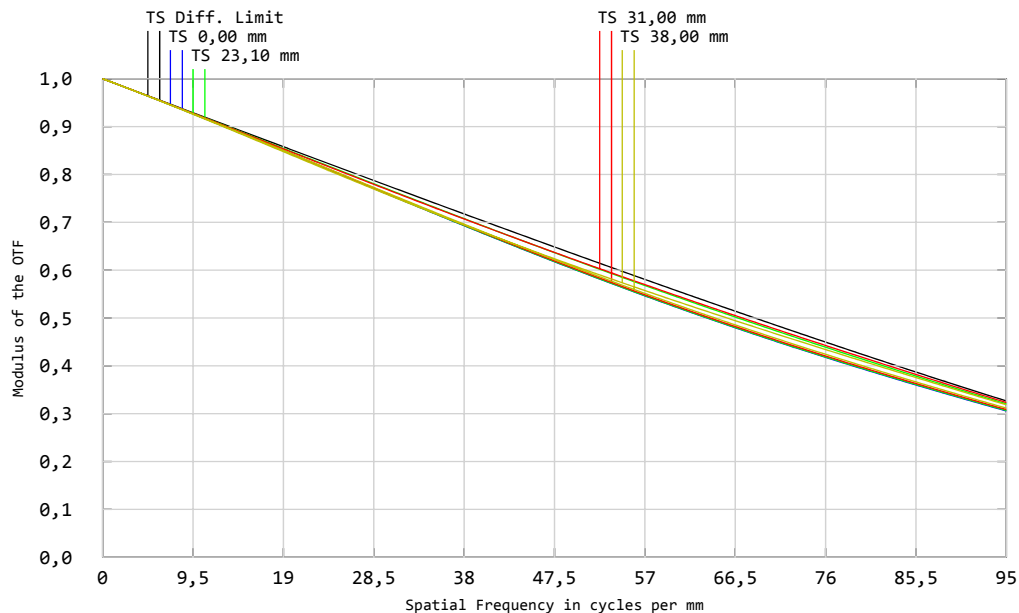
Distortion for 586 nm



x = distortion

y = max. field

MTF for various object heights at 586 nm



T. tangential

S. sagittal

graphs and data given by design.