

DATA SHEET

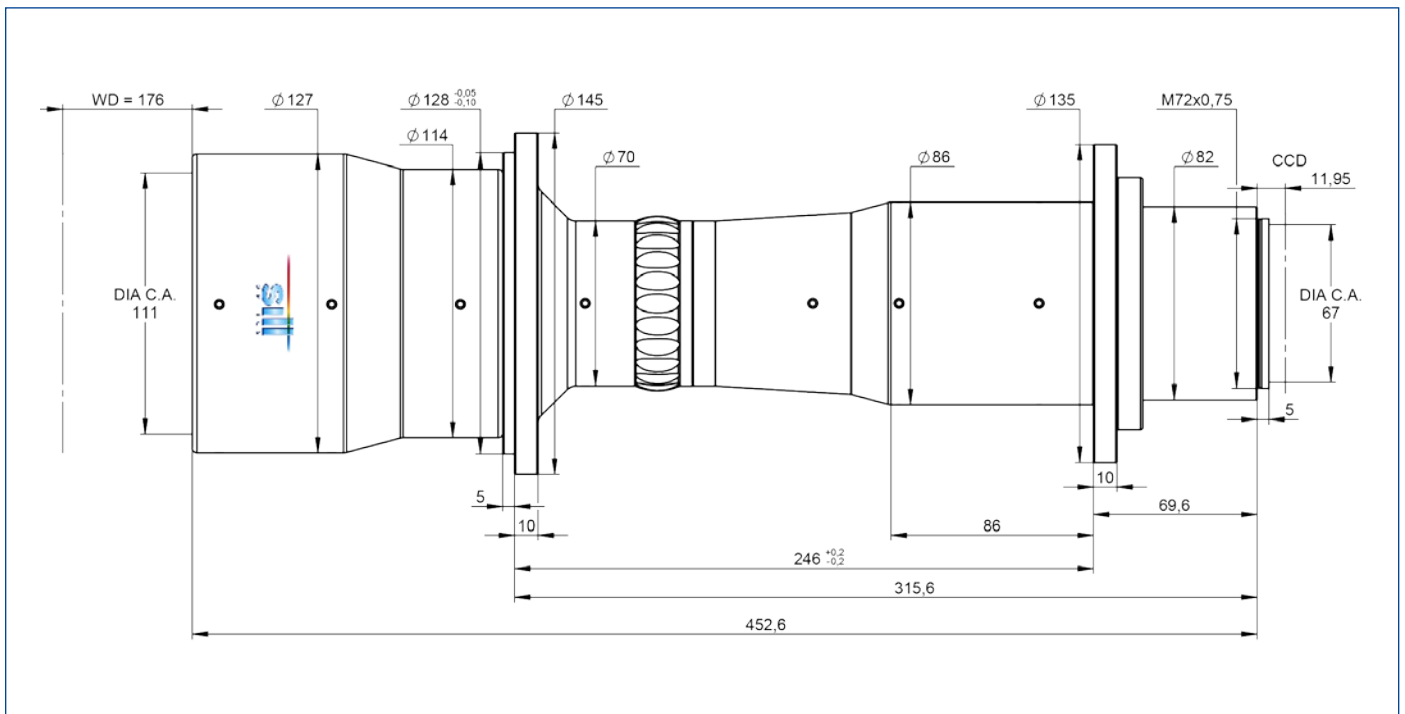


S5LPJ7258/M58 Correctal[®] TD100/0.58

- double-sided telecentric
- lens with M58-thread
- with variable iris



illustration only



outline drawing

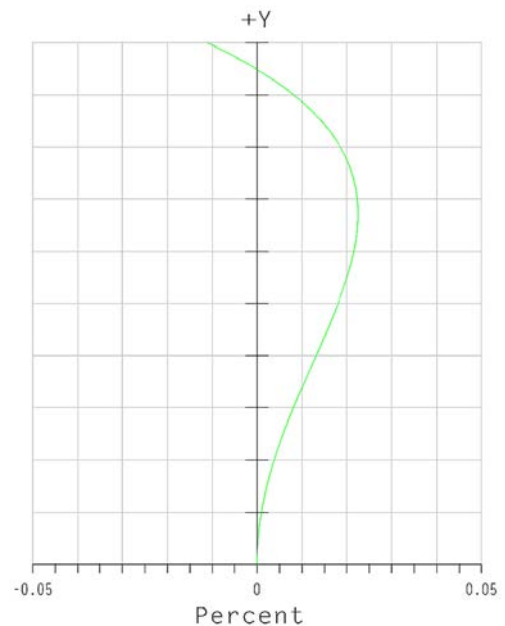
DATA SHEET



specifications

article number	SSLPJ7258/M58
design wavelength [nm]	450-700
magnification (+/-5%)	0.580
working distance [mm] (+/-2%)	176.0
object size [mm]	49.30
at a chip size of [mm]	28.6
distortion [%]	< 0.05
object size [mm]	60.30
at a chip size of [mm]	35
distortion [%]	< 0.05
object size [mm]	62 x 41,3
at a chip size of [mm]	36.0 x 24.0 (KB)
distortion [%]	< 0.05
max. telecentricity error [°]	< 0.01
numerical aperture	0.03
weight [kg]	not yet weighed
flange back distance [mm]	21.99
accessory	---

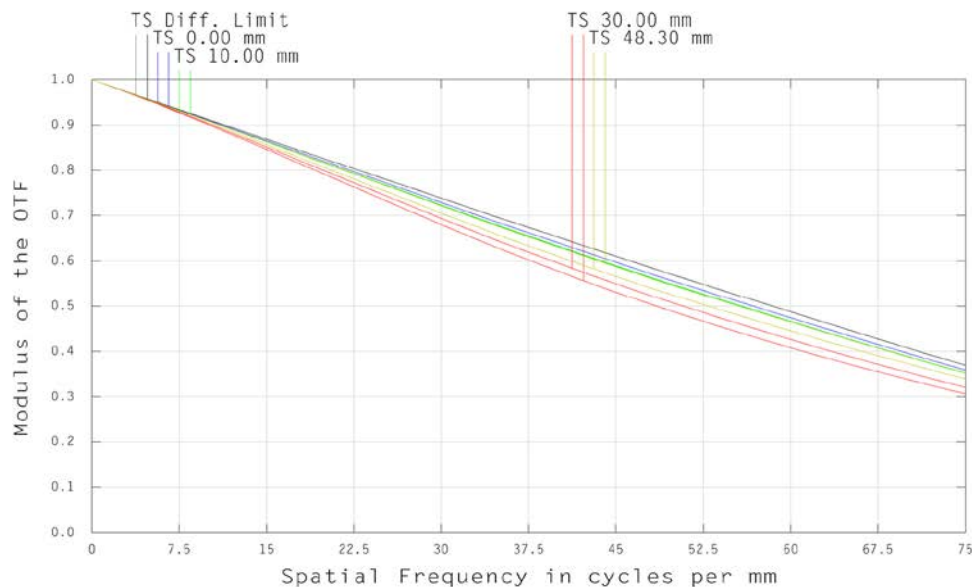
Distortion for 586 nm



x = distortion

y = max. field

MTF for various object heights at 586 nm



T. tangential

S. sagittal

graphs and data given by design.