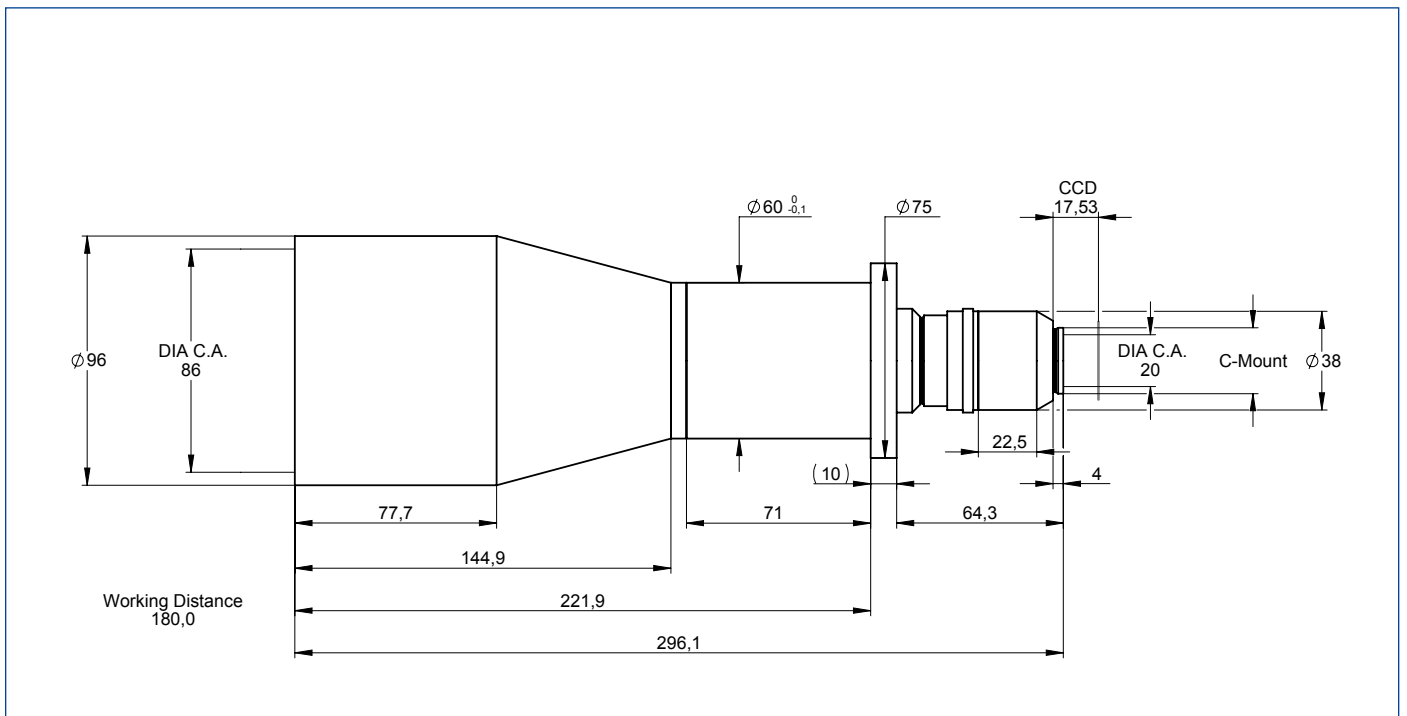


# DATA SHEET



## S5LPJ6036 Correctal® T85/0.13

- telecentric lens
- with c-mount
- with variable iris



outline drawing

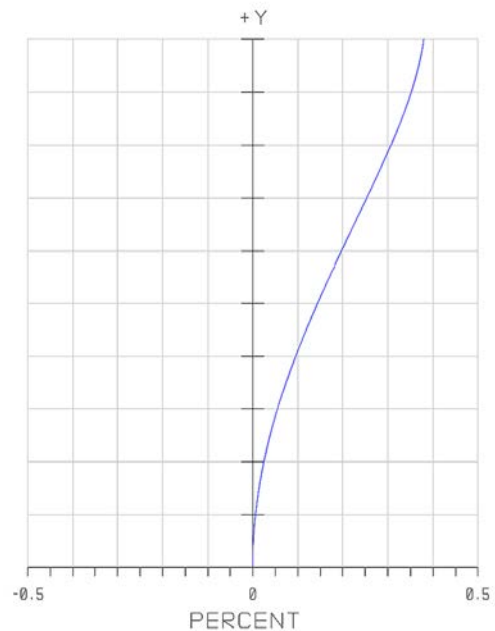
# DATA SHEET



## specifications

article number	S5LPJ6036
design wavelength [nm]	450-700
magnification (+/-5%)	0.127
working distance [mm] (+/-2%)	180.0
object size [mm]	37.7 x 28.3
at a chip size of [mm]	4.8 x 3.6 (1/3")
distortion [%]	0.22
object size [mm]	50.3 x 37.7
at a chip size of [mm]	6.4 x 4.8 (1/2")
distortion [%]	0.35
object size [mm]	56.6 x 41.7
at a chip size of [mm]	7.2 x 5.3 (1/1.8")
distortion [%]	0.4
max. telecentricity error [°]	0.03
numerical aperture	0.014
weight [kg]	1.80
flange back distance [mm]	17.53
accessory	S5SET0020, S5SET6030

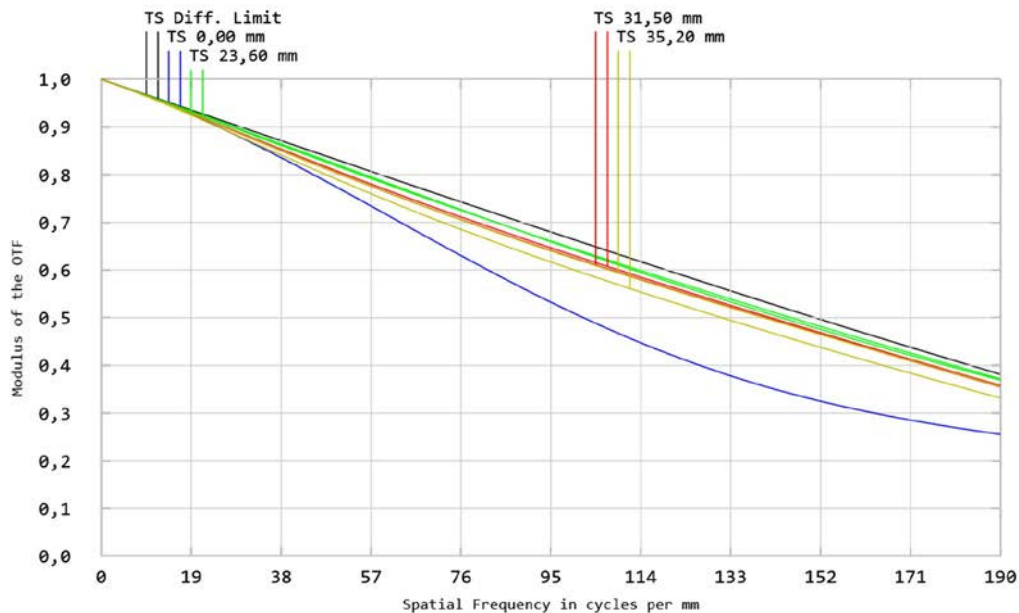
## Distortion for 586 nm



x = distortion

y = max. field

## MTF for various object heights at 586 nm



T. tangential

S. sagittal

graphs and data given by design.