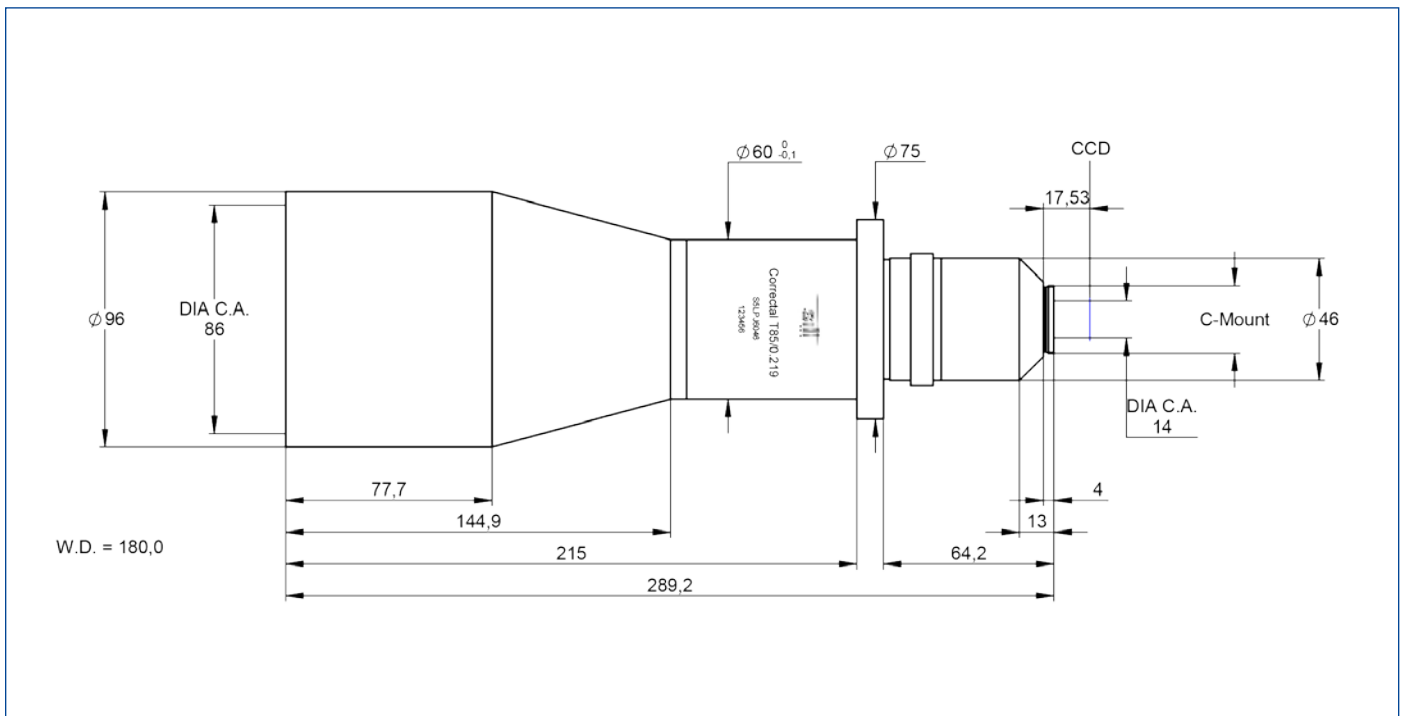


DATA SHEET



S5LPJ6046 Correctal® T85/0.22

- telecentric lens
- with c-mount
- with variable iris



outline drawing

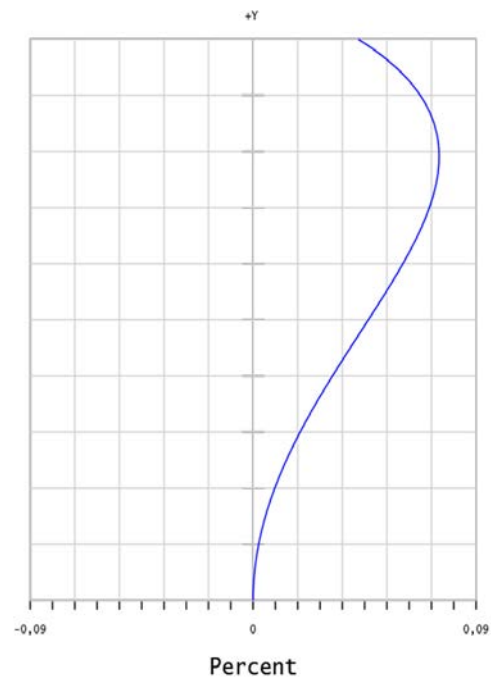
DATA SHEET



specifications

article number	S5LPJ6046
design wavelength [nm]	450-700
magnification (+/-5%)	0.22
working distance [mm] (+/-2%)	180.0
object size [mm]	29.2 x 21.9
at a chip size of [mm]	6.4 x 4.8 (1/2")
distortion [%]	0.05
object size [mm]	40.1 x 30.1
at a chip size of [mm]	8.8 x 6.6 (2/3")
distortion [%]	0.07
object size [mm]	58,4 x 43,8
at a chip size of [mm]	12.8 x 9.6 (1")
distortion [%]	0.08
max. telecentricity error [°]	< 0.01
numerical aperture	0.02
weight [kg]	1.60
flange back distance [mm]	17.53
accessory	S5SET0020, S5SET6030

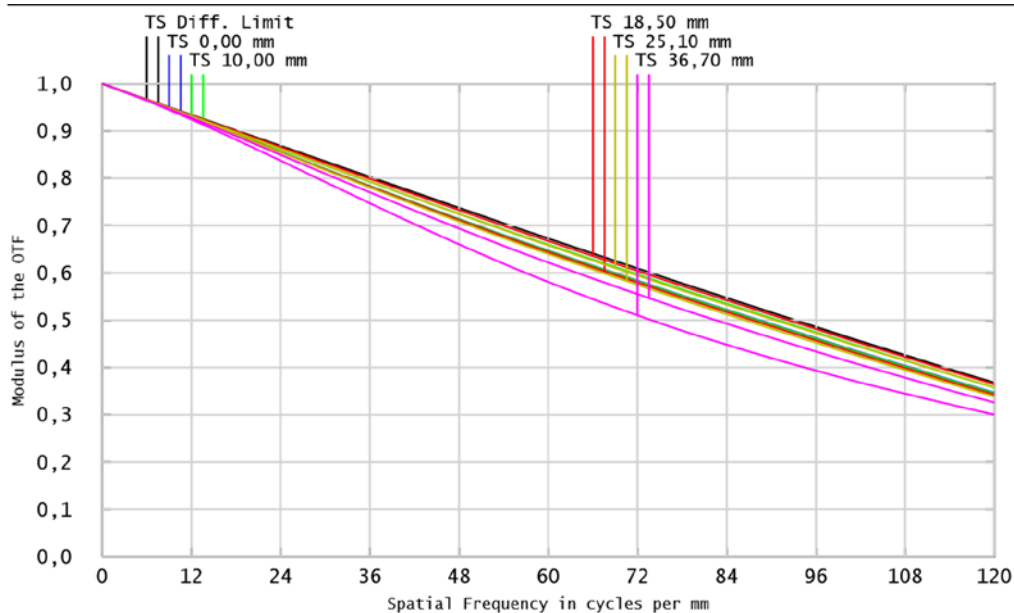
Distortion for 586 nm



x = distortion

y = max. field

MTF for various object heights at 586 nm



T. tangential

S. sagittal

graphs and data given by design.