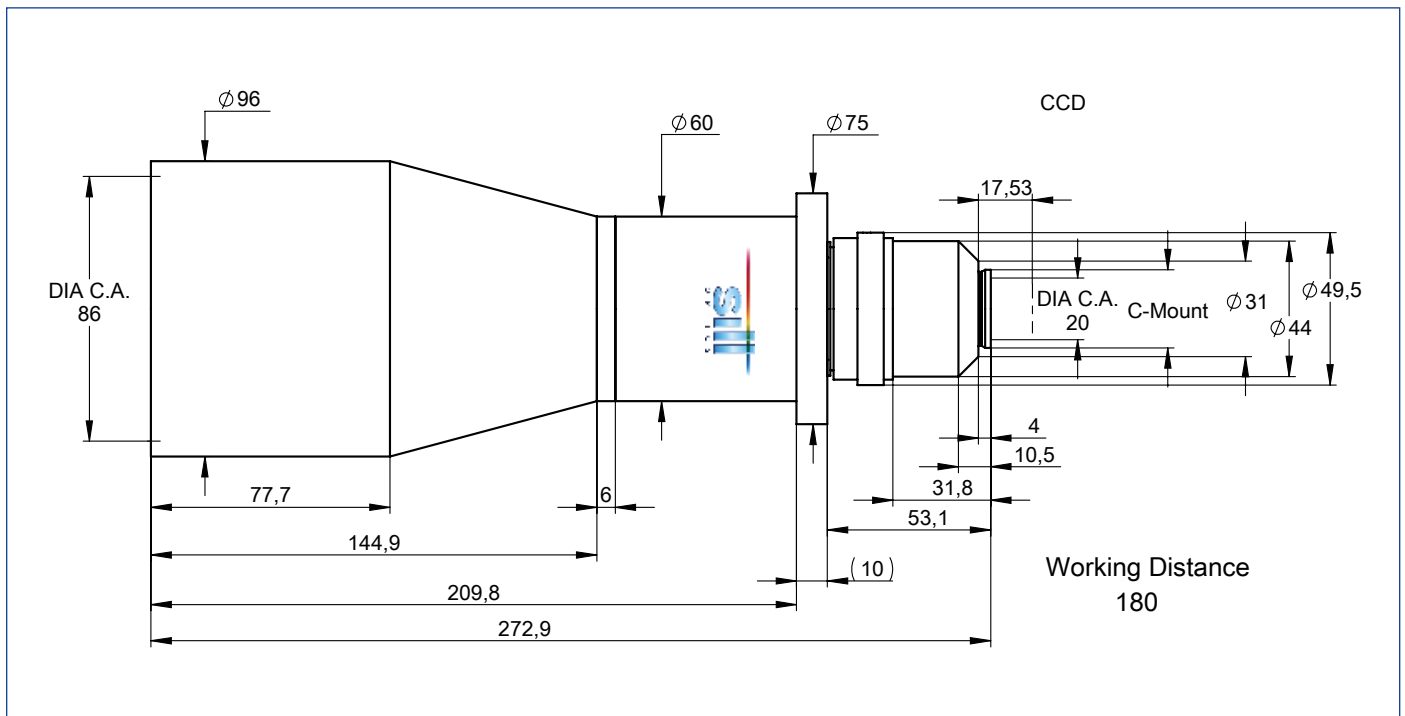


DATA SHEET



S5LPJ6060 Correctal® T85/0.29

- telecentric lens
- with c-mount
- with variable iris



outline drawing

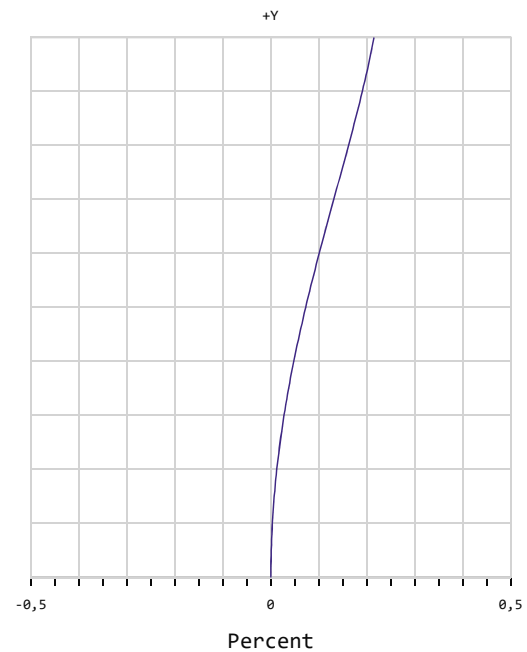
DATA SHEET



specifications

article number	S5LPJ6060
design wavelength [nm]	450-700
magnification (+/-5%)	0.292
working distance [mm] (+/-2%)	180.0
object size [mm]	24.6 x 18.1
at a chip size of [mm]	7.2 x 5.3 (1/1.8")
distortion [%]	0.09
object size [mm]	30.1 x 22.6
at a chip size of [mm]	8.8 x 6.6 (2/3")
distortion [%]	0.13
object size [mm]	43.8 x 32.8
at a chip size of [mm]	12.8 x 9.6 (1")
distortion [%]	0.21
max. telecentricity error [°]	0.032
numerical aperture	0.012
weight [kg]	1.60
flange back distance [mm]	17.53
accessory	S5SET0020, S5SET6030

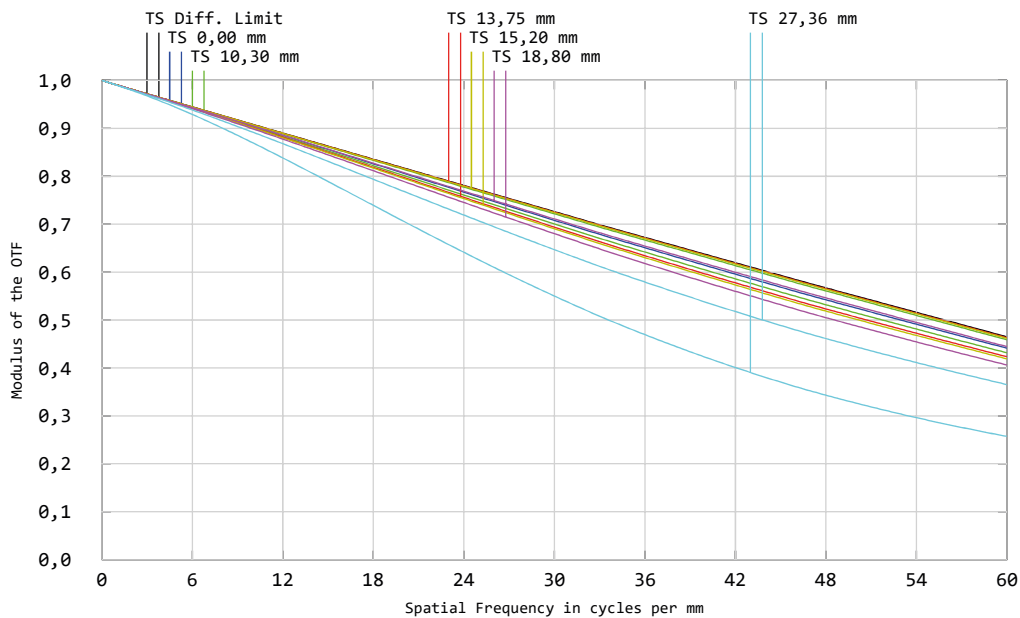
Distortion for 586 nm



x = distortion

y = max. field

MTF for various object heights at 586 nm



T. tangential

S. sagittal

graphs and data given by design.