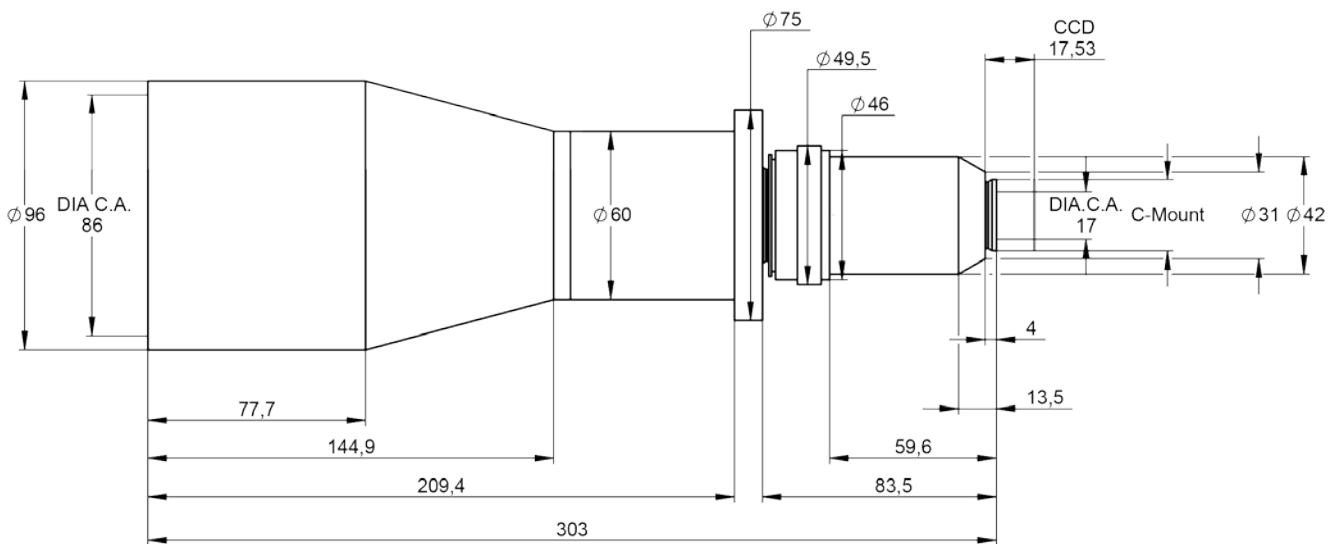


# DATA SHEET



## S5LPJ6075 Correctal® T85/0.37

- telecentric lens
- with c-mount
- with variable iris



outline drawing

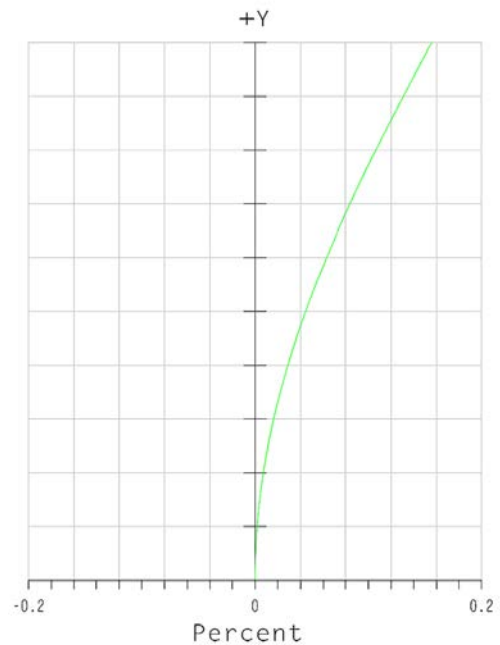
# DATA SHEET



## specifications

article number	S5LPJ6075
design wavelength [nm]	450-700
magnification (+/-5%)	0.367
working distance [mm] (+/-2%)	180.0
object size [mm]	17.4 x 13
at a chip size of [mm]	6.4 x 4.8 (1/2")
distortion [%]	0.05
object size [mm]	23.9 x 17.9
at a chip size of [mm]	8.8 x 6.6 (2/3")
distortion [%]	0.1
object size [mm]	34.8 x 26.1
at a chip size of [mm]	12.8 x 9.6 (1")
distortion [%]	0.2
max. telecentricity error [°]	0.11
numerical aperture	0.02
weight [kg]	1.60
flange back distance [mm]	17.53
accessory	S5SET0020, S5SET6030

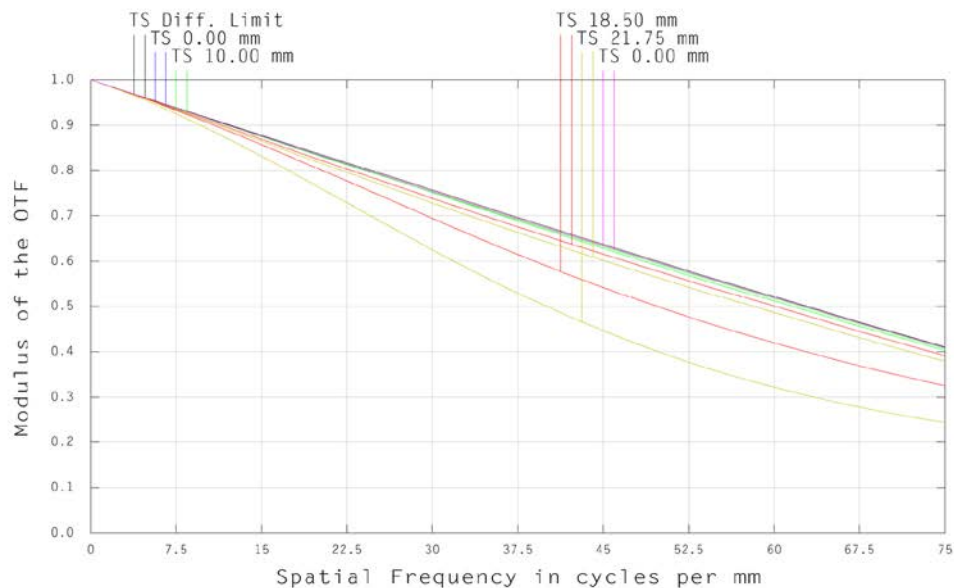
## Distortion for 586 nm



x = distortion

y = max. field

## MTF for various object heights at 586 nm



T. tangential

S. sagittal

graphs and data given by design.