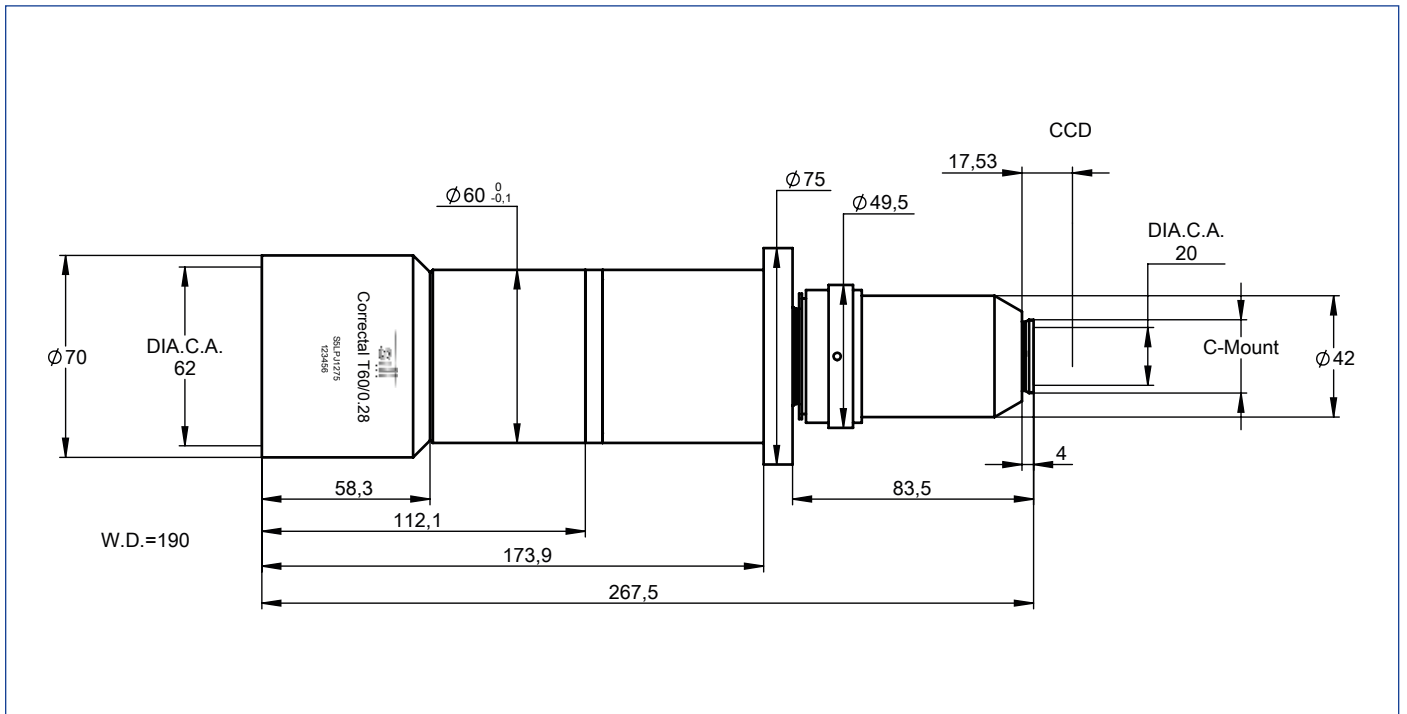


DATA SHEET



S5LPJ1275 Correctal® T60/0.39

- telecentric lens
- with c-mount
- with variable iris



outline drawing

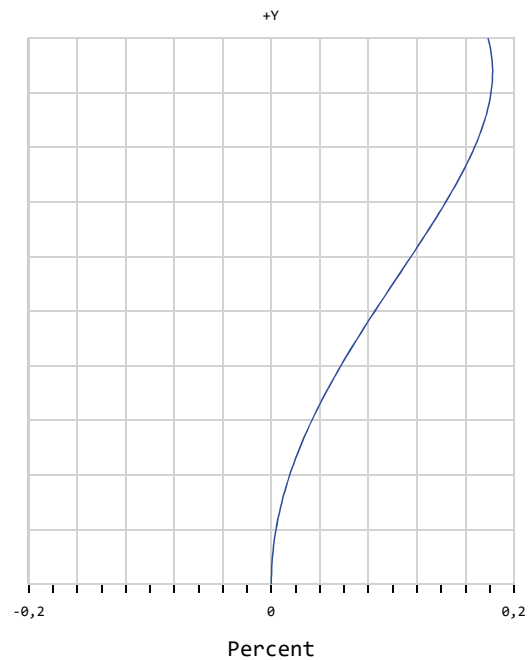
DATA SHEET



specifications

article number	S5LPJ1275
design wavelength [nm]	450-700
magnification (+/-5%)	0.394
working distance [mm] (+/-2%)	190.0
object size [mm]	22.3 x 16.7
at a chip size of [mm]	8.8 x 6.6 (2/3")
distortion [%]	0.12
object size [mm]	32.4 x 24.3
at a chip size of [mm]	12.8 x 9.6 (1")
distortion [%]	0.18
object size [mm]	35.7 x 26.9
at a chip size of [mm]	14.1 x 10.6 (1.1")
distortion [%]	0.18
max. telecentricity error [°]	0.025
numerical aperture	0.016
weight [kg]	0.80
flange back distance [mm]	17.53
accessory	S5SET0020

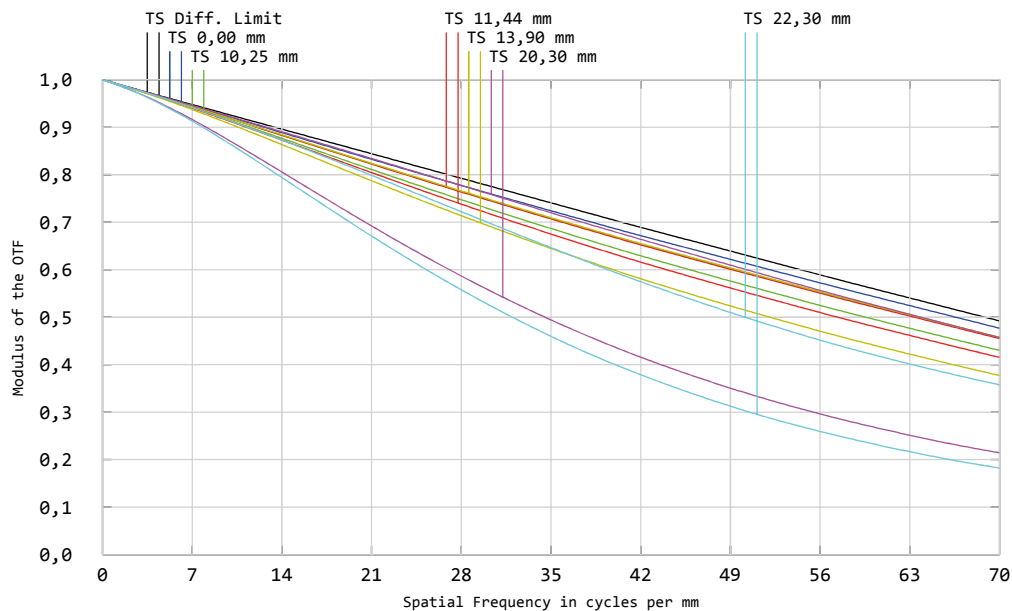
Distortion for 586 nm



x = distortion

y = max. field

MTF for various object heights at 586 nm



T. tangential

S. sagittal

graphs and data given by design.