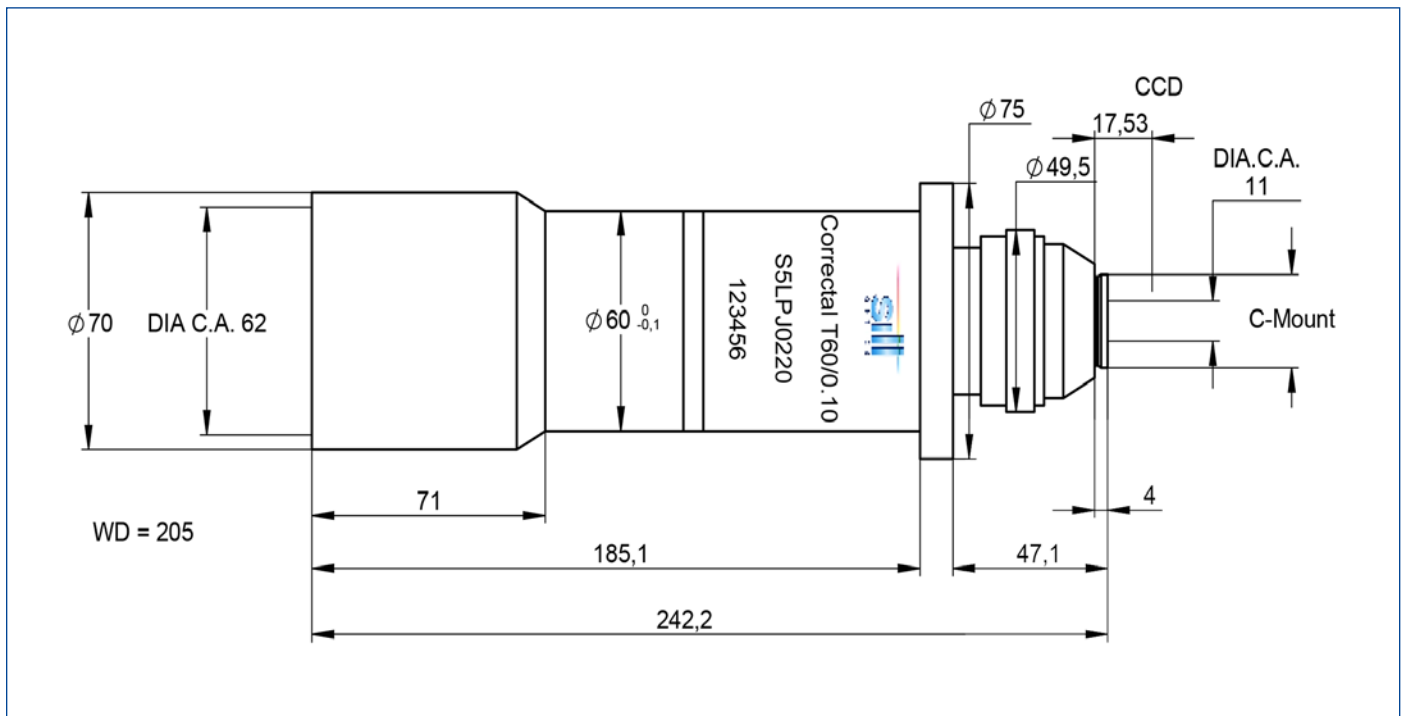


# DATA SHEET



## S5LPJ0220 Correctal® T60/0.1

- telecentric lens
- with c-mount
- with variable iris



outline drawing

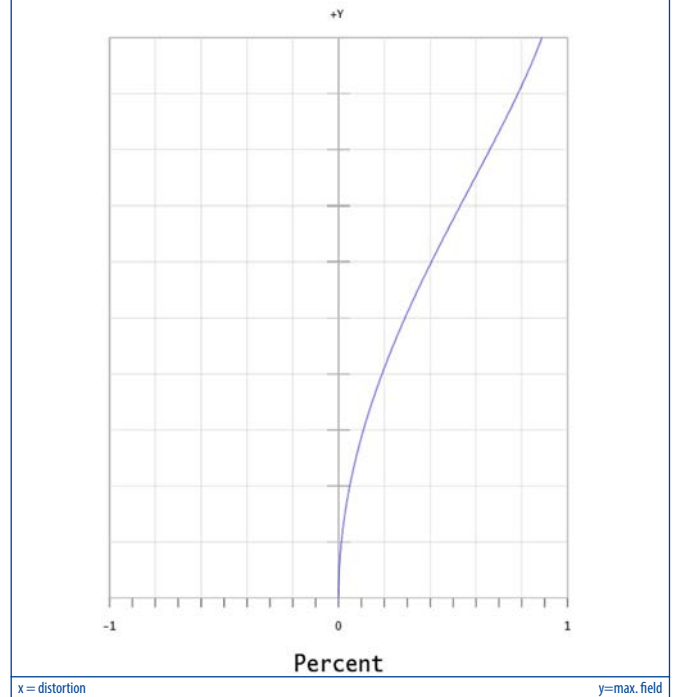
# DATA SHEET



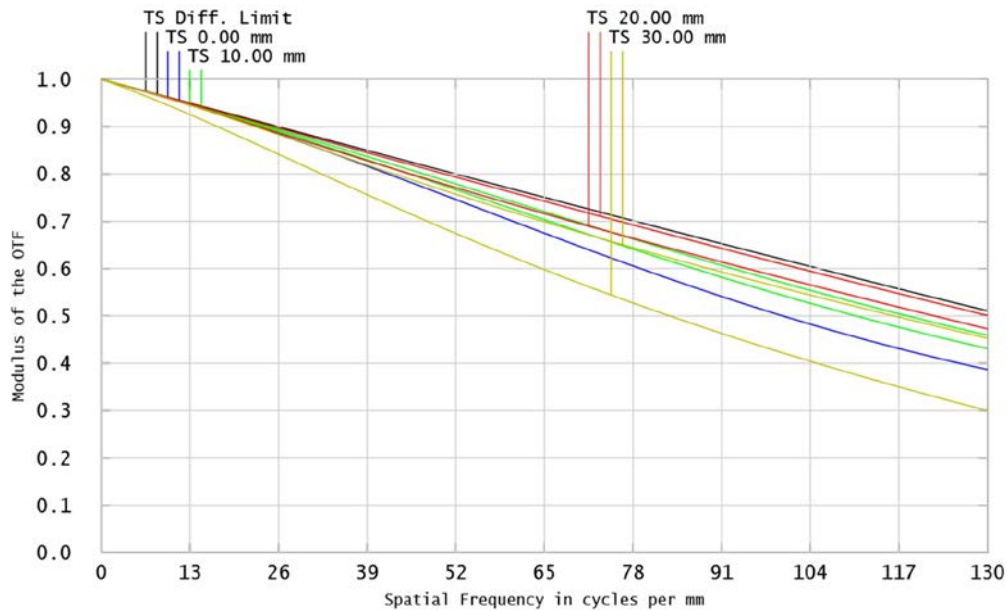
## specifications

article number	S5LPJ0220
design wavelength [nm]	450-700
magnification (+/-5%)	0.102
working distance [mm] (+/-2%)	205.0
object size [mm]	35.2 x 27.4
at a chip size of [mm]	3.6 x 2.8 (1/4")
distortion [%]	0.5
object size [mm]	47 x 35.2
at a chip size of [mm]	4.8 x 3.6 (1/3")
distortion [%]	0.9
object size [mm]	---
at a chip size of [mm]	6.4 x 4.8 (1/2")
distortion [%]	---
max. telecentricity error [°]	0.02
numerical aperture	0.01
weight [kg]	not yet weighed
flange back distance [mm]	17.53
accessory	S5SET0020, S5SET2204

## Distortion for 586 nm



## MTF for various object heights at 586 nm



T. tangential

S. sagittal

replacement for S5LPJ0200  
graphs and data given by design.