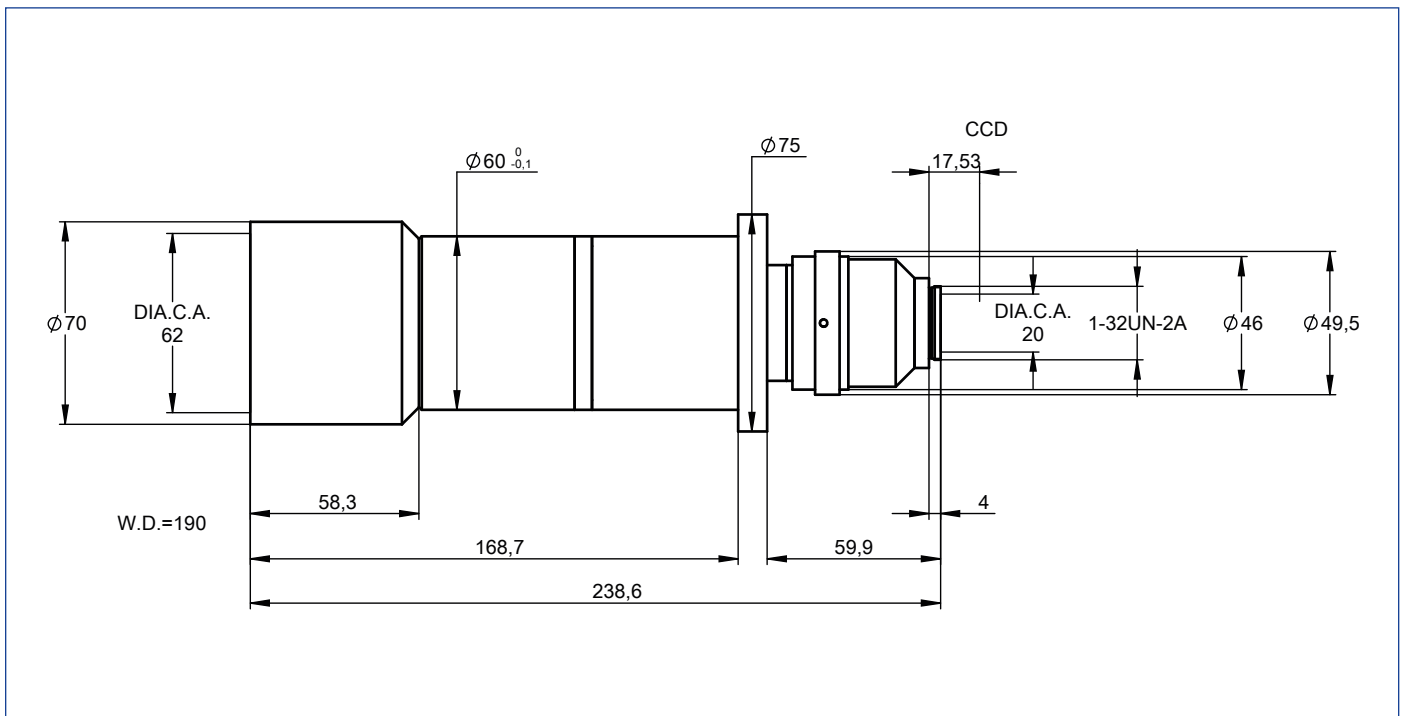


DATA SHEET



S5LPJ1252 Correctal® T60/0.26

- telecentric lens
- with c-mount
- with variable iris



outline drawing

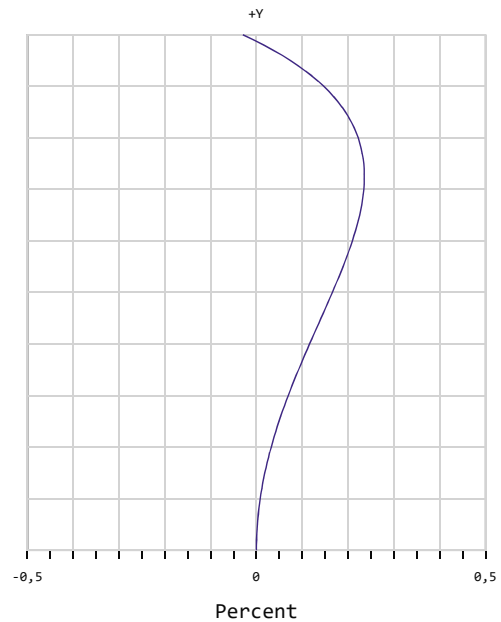
DATA SHEET



specifications

article number	S5LPJ1252
design wavelength [nm]	450-700
magnification (+/-5%)	0.265
working distance [mm] (+/-2%)	190.0
object size [mm]	27.1 x 20
at a chip size of [mm]	7.2 x 5.3 (1/1.8")
distortion [%]	0.2
object size [mm]	33.2 x 24.9
at a chip size of [mm]	8.8 x 6.6 (2/3")
distortion [%]	0.3
object size [mm]	48.3 x 36.2
at a chip size of [mm]	12.8 x 9.6 (1")
distortion [%]	0.3
max. telecentricity error [°]	0.04
numerical aperture	0.015
weight [kg]	1.20
flange back distance [mm]	17.53
accessory	S5SET0020

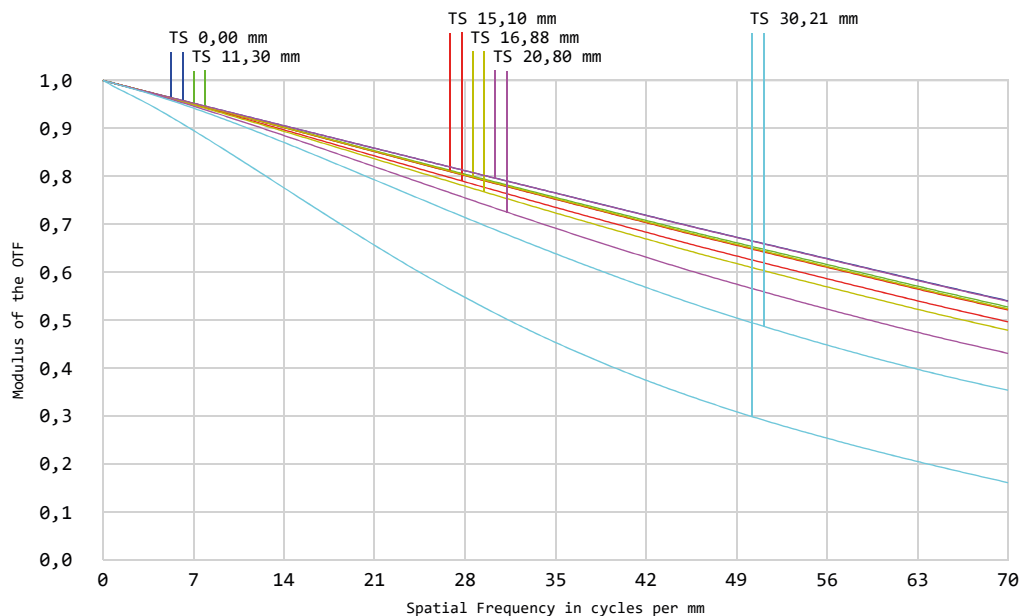
Distortion for 586 nm



x = distortion

y = max. field

MTF for various object heights at 586 nm



T. tangential

S. sagittal

graphs and data given by design.