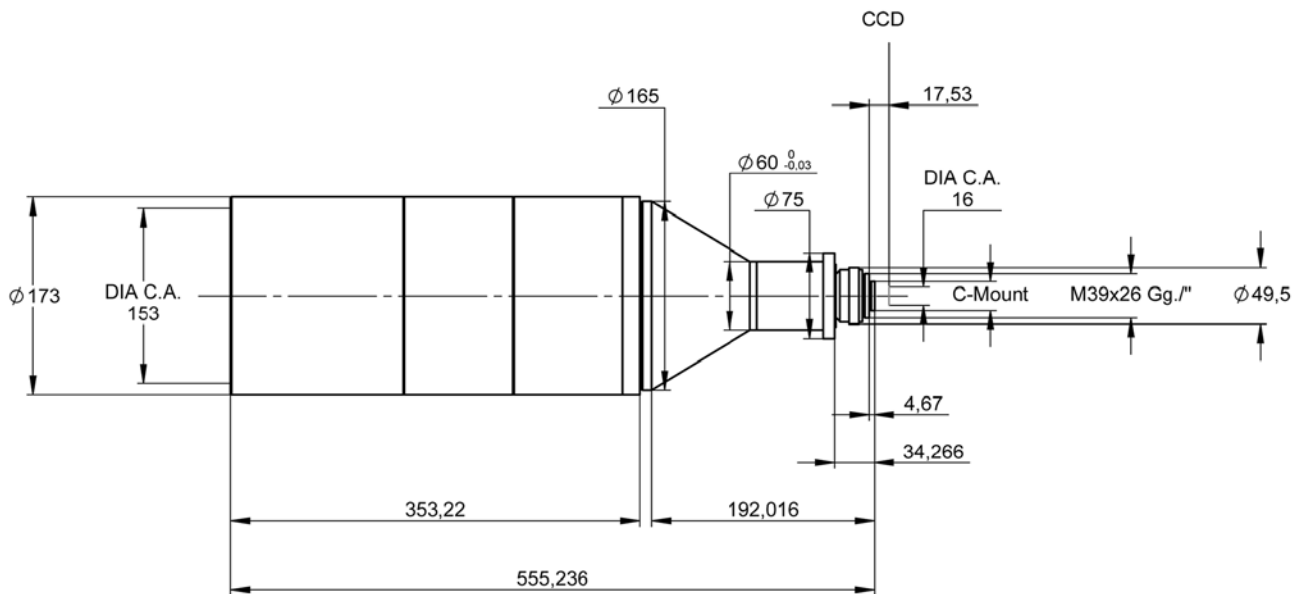


DATA SHEET



S5LPJ1835 Correctal® T150/0.076

- telecentric lens
- with c-mount
- with variable iris



outline drawing

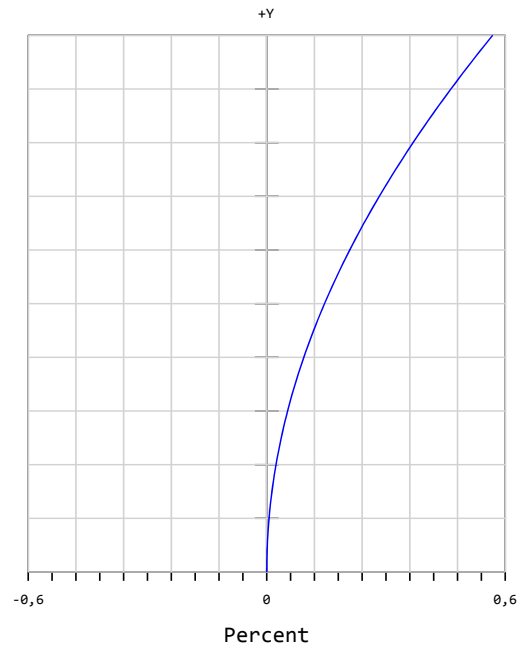
DATA SHEET



specifications

article number	S5LPJ1835
design wavelength [nm]	450-700
magnification (+/-5%)	0.076
working distance [mm] (+/-2%)	300.0
object size [mm]	63.1 x 47.3
at a chip size of [mm]	4.8 x 3.6 (1/3")
distortion [%]	0.3
object size [mm]	84.2 x 63.1
at a chip size of [mm]	6.4 x 4.8 (1/2")
distortion [%]	0.5
object size [mm]	94.7 x 69.7
at a chip size of [mm]	7.2 x 5.3 (1/1.8")
distortion [%]	0.6
max. telecentricity error [°]	0.15
numerical aperture	0.008
weight [kg]	9.00
flange back distance [mm]	17.53
accessory	S5SET0020, S5SET1830

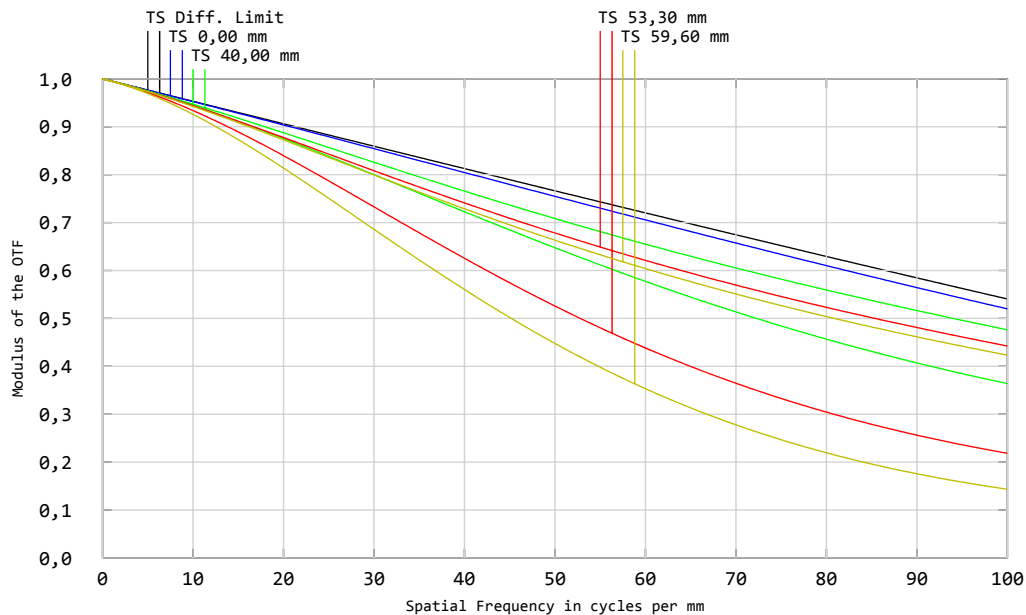
Distortion for 586 nm



x = distortion

y = max. field

MTF for various object heights at 586 nm



T. tangential

S. sagittal

graphs and data given by design.