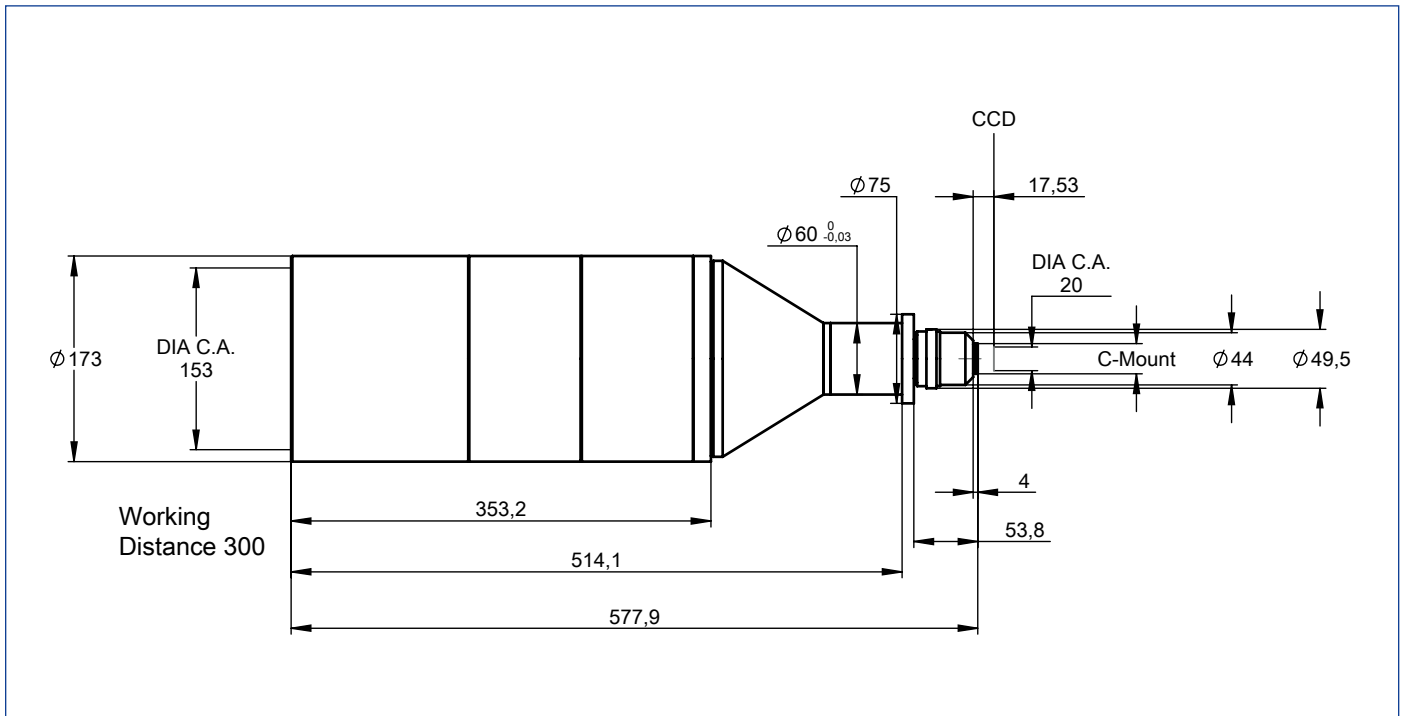


# DATA SHEET



## S5LPJ1860 Correctal® T150/0.13

- telecentric lens
- with c-mount
- with variable iris



outline drawing

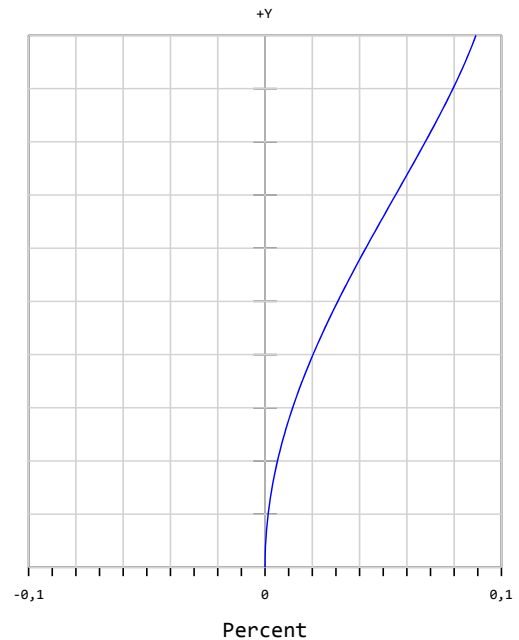
# DATA SHEET



## specifications

|                               |                      |
|-------------------------------|----------------------|
| article number                | S5LPJ1860            |
| design wavelength [nm]        | 450-700              |
| magnification (+/-5%)         | 0.134                |
| working distance [mm] (+/-2%) | 300.0                |
| object size [mm]              | 65.6 x 49.2          |
| at a chip size of [mm]        | 8.8 x 6.6 (2/3")     |
| distortion [%]                | 0.05                 |
| object size [mm]              | 95.5 x 71.6          |
| at a chip size of [mm]        | 12.8 x 9.6 (1")      |
| distortion [%]                | 0.09                 |
| object size [mm]              | 105.2 x 79.1         |
| at a chip size of [mm]        | 14.1 x 10.6 (1.1")   |
| distortion [%]                | 0.1                  |
| max. telecentricity error [°] | < 0.01               |
| numerical aperture            | 0.006                |
| weight [kg]                   | 9.00                 |
| flange back distance [mm]     | 17.53                |
| accessory                     | S5SET0020, S5SET1830 |

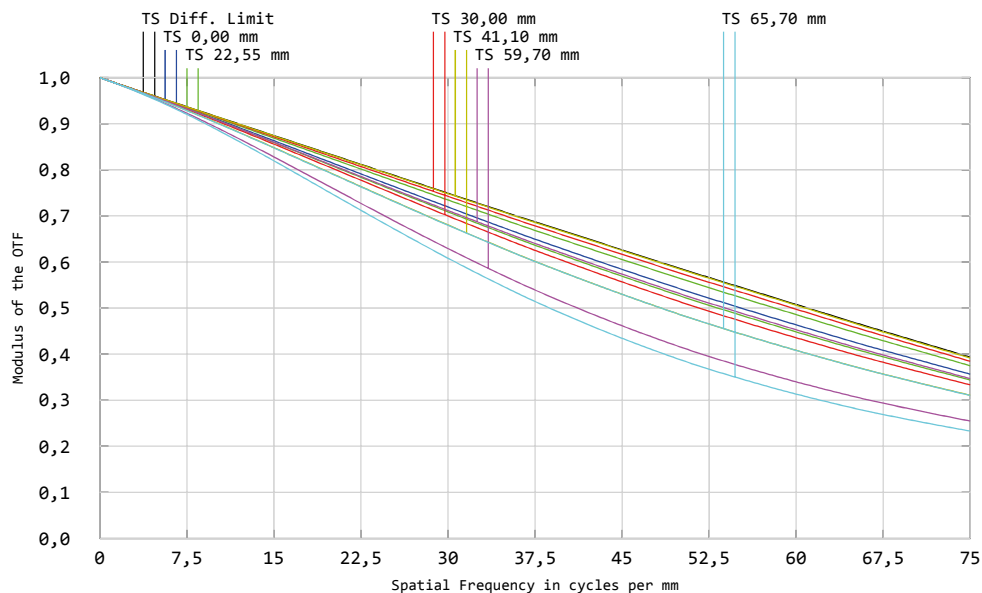
## Distortion for 586 nm



x = distortion

y = max. field

## MTF for various object heights at 586 nm



T. tangential

S. sagittal

graphs and data given by design.