

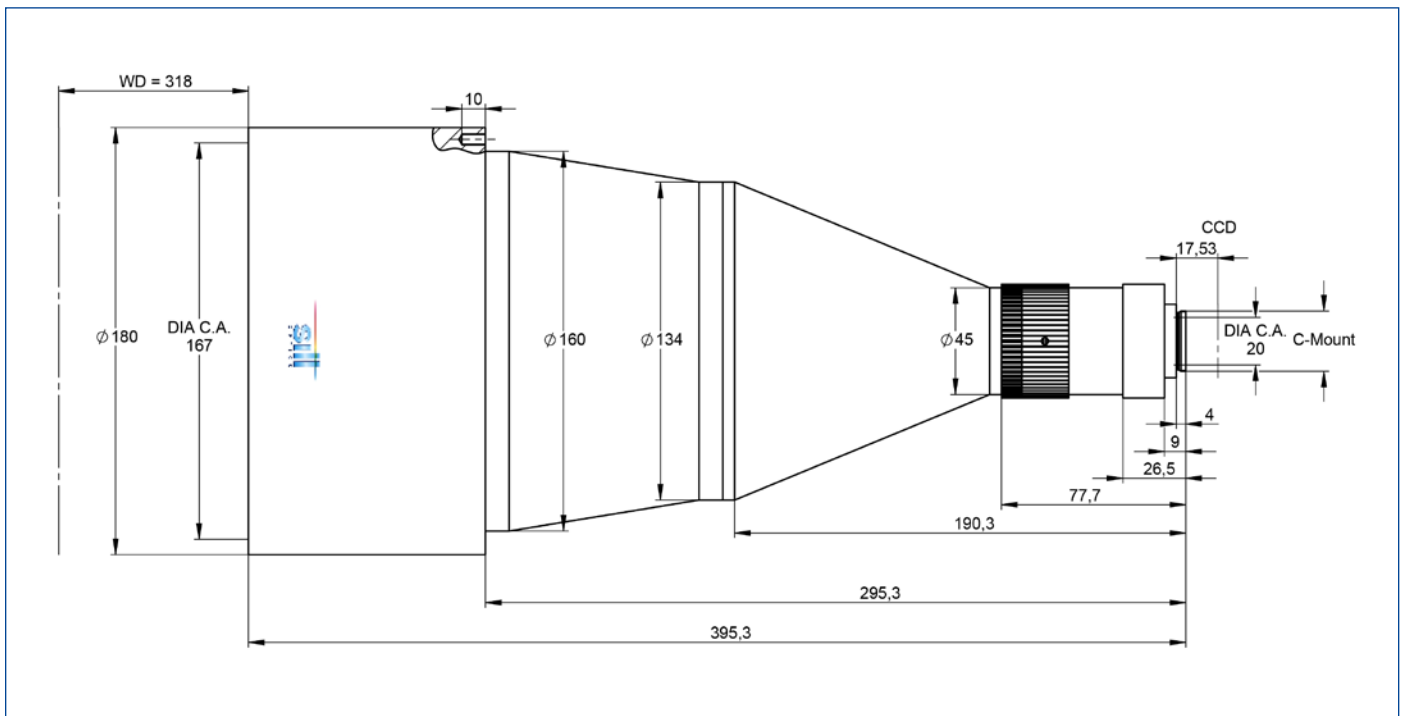
# DATA SHEET



## S5LPJ7280

### SillVision T160/0.07

- double-sided telecentric
- lens with c-mount
- with variable iris



outline drawing

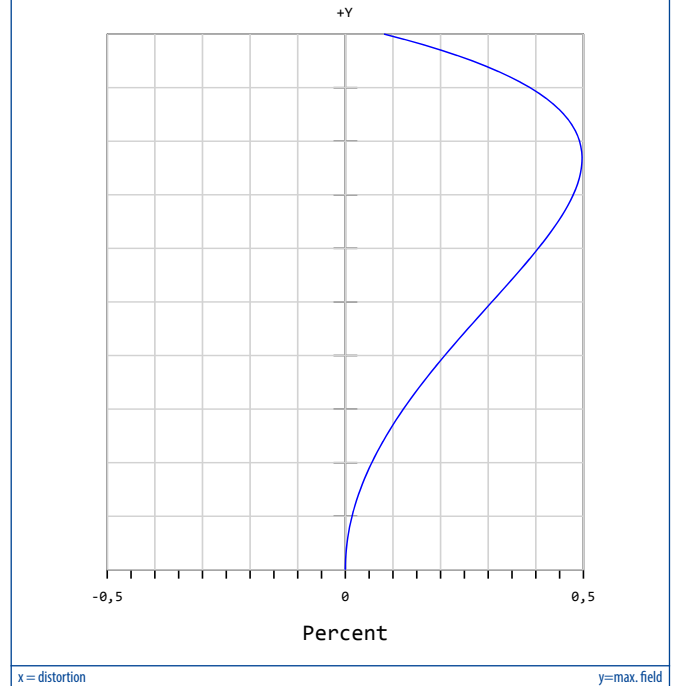
# DATA SHEET



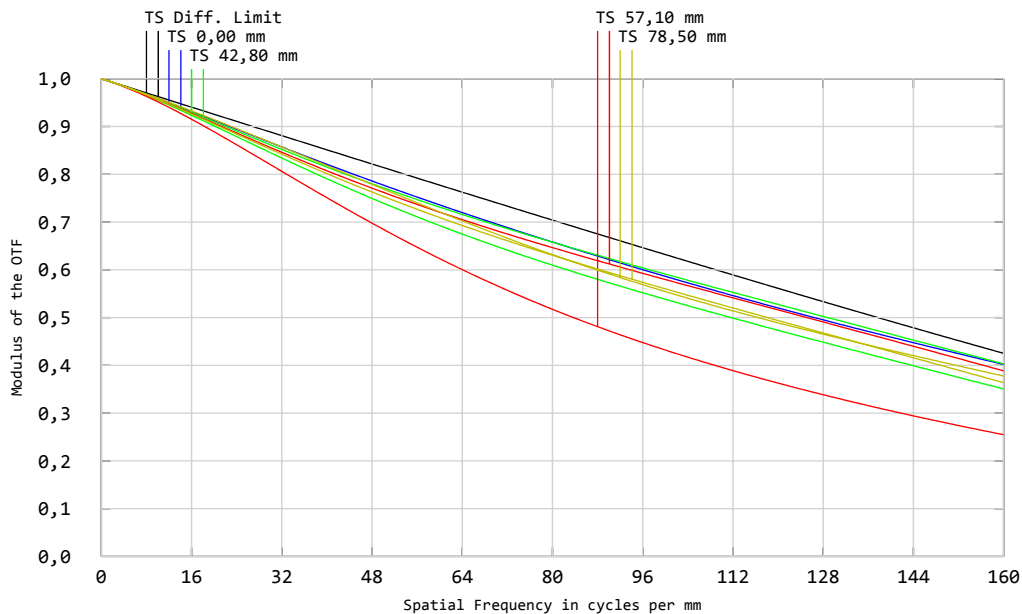
## specifications

article number	S5LPJ7280
design wavelength [nm]	450-700
magnification (+/-5%)	0.070
working distance [mm] (+/-2%)	318.0
object size [mm]	68.5 x 51.4
at a chip size of [mm]	4.8 x 3.6 (1/3")
distortion [%]	0.4
object size [mm]	91.4 x 68.5
at a chip size of [mm]	6.4 x 4.8 (1/2")
distortion [%]	0.4
object size [mm]	125.7 x 94.2
at a chip size of [mm]	8.8 x 6.6 (2/3")
distortion [%]	0.5
max. telecentricity error [°]	0.02
numerical aperture	0.01
weight [kg]	5.97
flange back distance [mm]	17.53
accessory	---

## Distortion for 586 nm



## MTF for various object heights at 586 nm



T. tangential

S. sagittal

graphs and data given by design.