

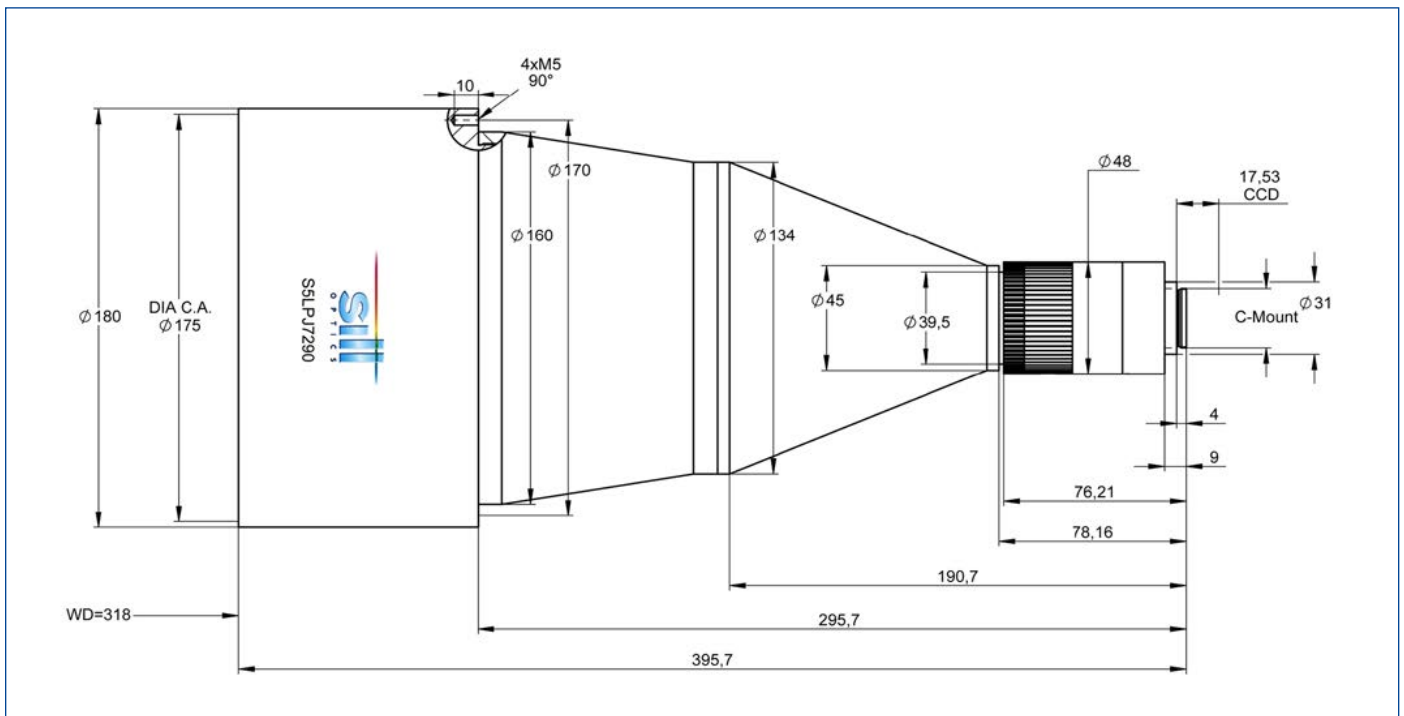
DATA SHEET



S5LPJ7290

SillVision T160/0.055

- double-sided telecentric
- lens with c-mount
- with variable iris



outline drawing

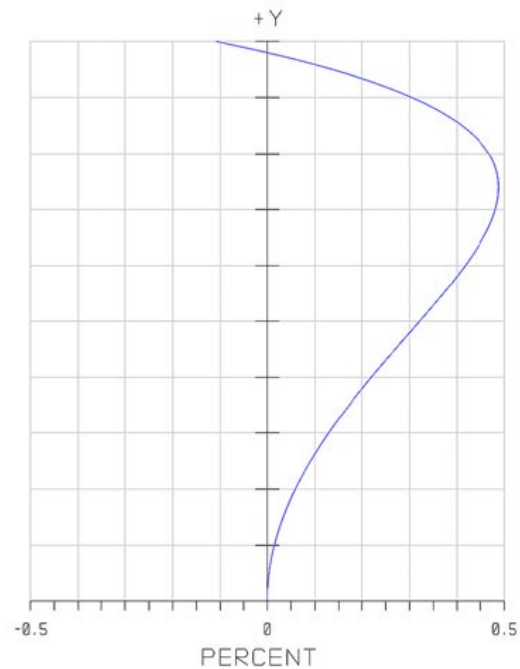
DATA SHEET



specifications

article number	S5LPJ7290
design wavelength [nm]	450-700
magnification (+/-5%)	0.055
working distance [mm] (+/-2%)	318.0
object size [mm]	65.4 x 50.9
at a chip size of [mm]	3.6 x 2.8 (1/4")
distortion [%]	0.4
object size [mm]	87.2 x 65.4
at a chip size of [mm]	4.8 x 3.6 (1/3")
distortion [%]	0.55
object size [mm]	116.3 x 87.2
at a chip size of [mm]	6.4 x 4.8 (1/2")
distortion [%]	0.55
max. telecentricity error [°]	0.03
numerical aperture	0.006
weight [kg]	5.97
flange back distance [mm]	17.53
accessory	---

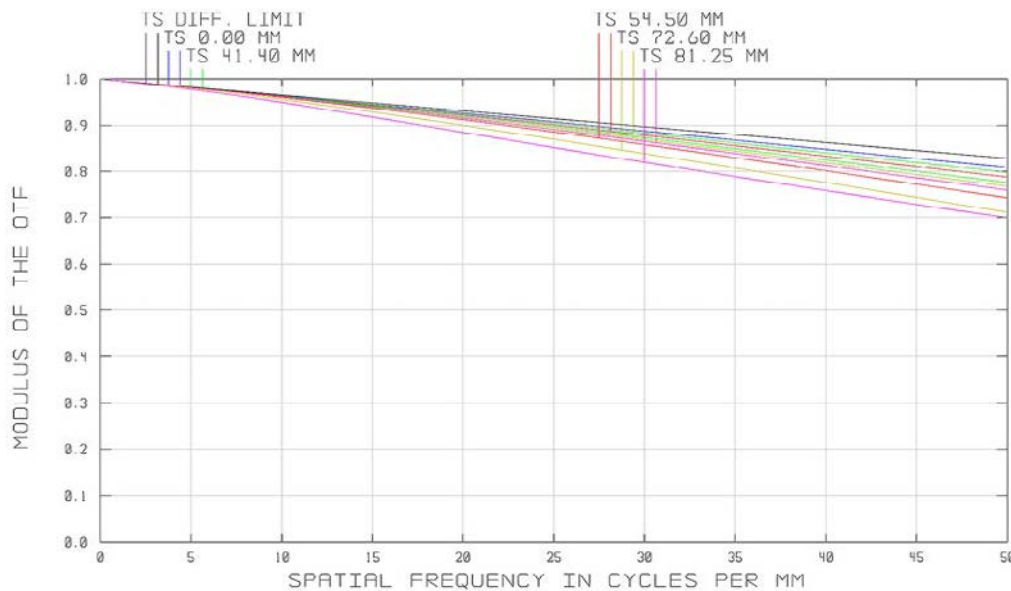
Distortion for 586 nm



x = distortion

y = max. field

MTF for various object heights at 586 nm



T. tangential

S. sagittal

graphs and data given by design.