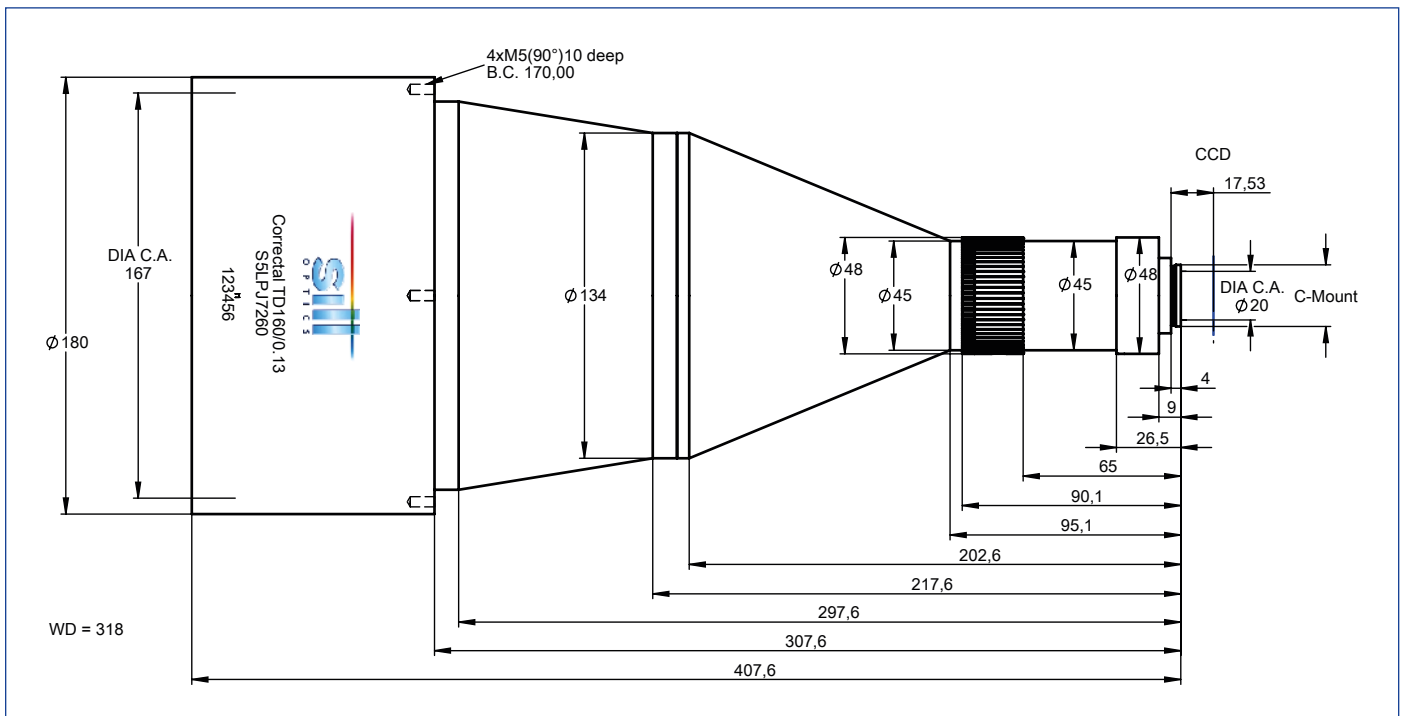


DATA SHEET



S5LPJ7260 SillVision T160/0.13

- double-sided telecentric
- lens with c-mount
- with variable iris



outline drawing

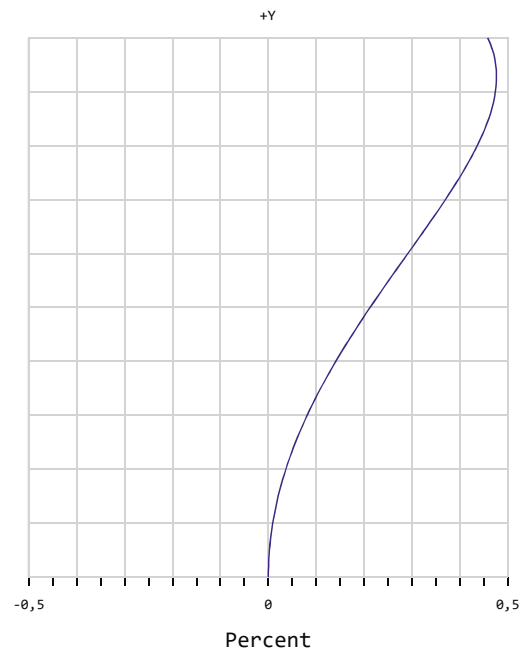
DATA SHEET



specifications

article number	S5LPJ7260
design wavelength [nm]	450-700
magnification (+/-5%)	0.134
working distance [mm] (+/-2%)	318.0
object size [mm]	65.6 x 49.2
at a chip size of [mm]	8.8 x 6.6 (2/3")
distortion [%]	0.32
object size [mm]	95.5 x 71.6
at a chip size of [mm]	12.8 x 9.6 (1")
distortion [%]	0.48
object size [mm]	105.2 x 79.1
at a chip size of [mm]	14.1 x 10.6 (1.1")
distortion [%]	0.48
max. telecentricity error [°]	0.01
numerical aperture	0.008
weight [kg]	5.97
flange back distance [mm]	17.53
accessory	---

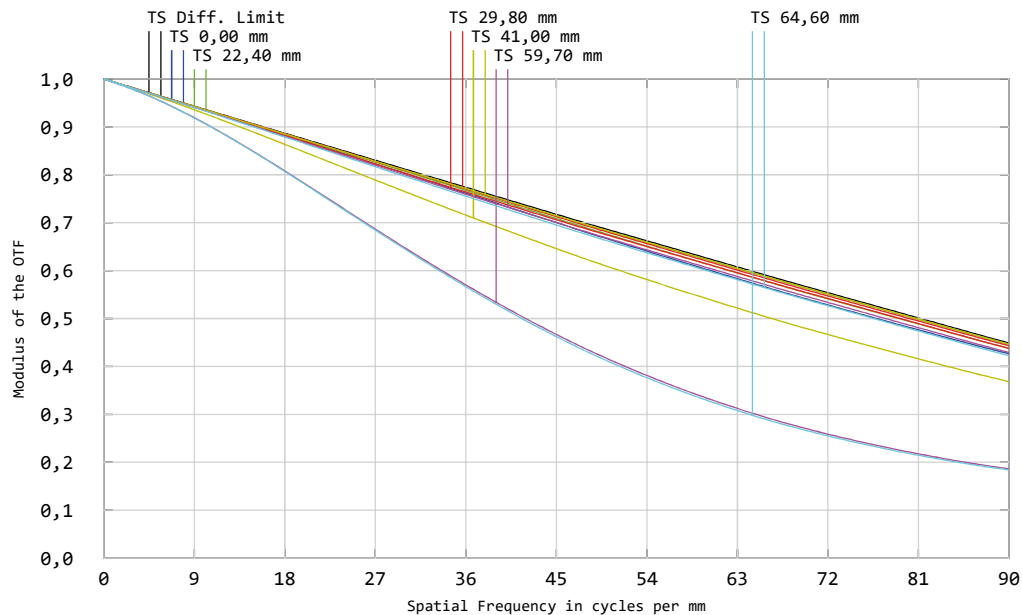
Distortion for 586 nm



x = distortion

y = max. field

MTF for various object heights at 586 nm



T. tangential

S. sagittal

graphs and data given by design.