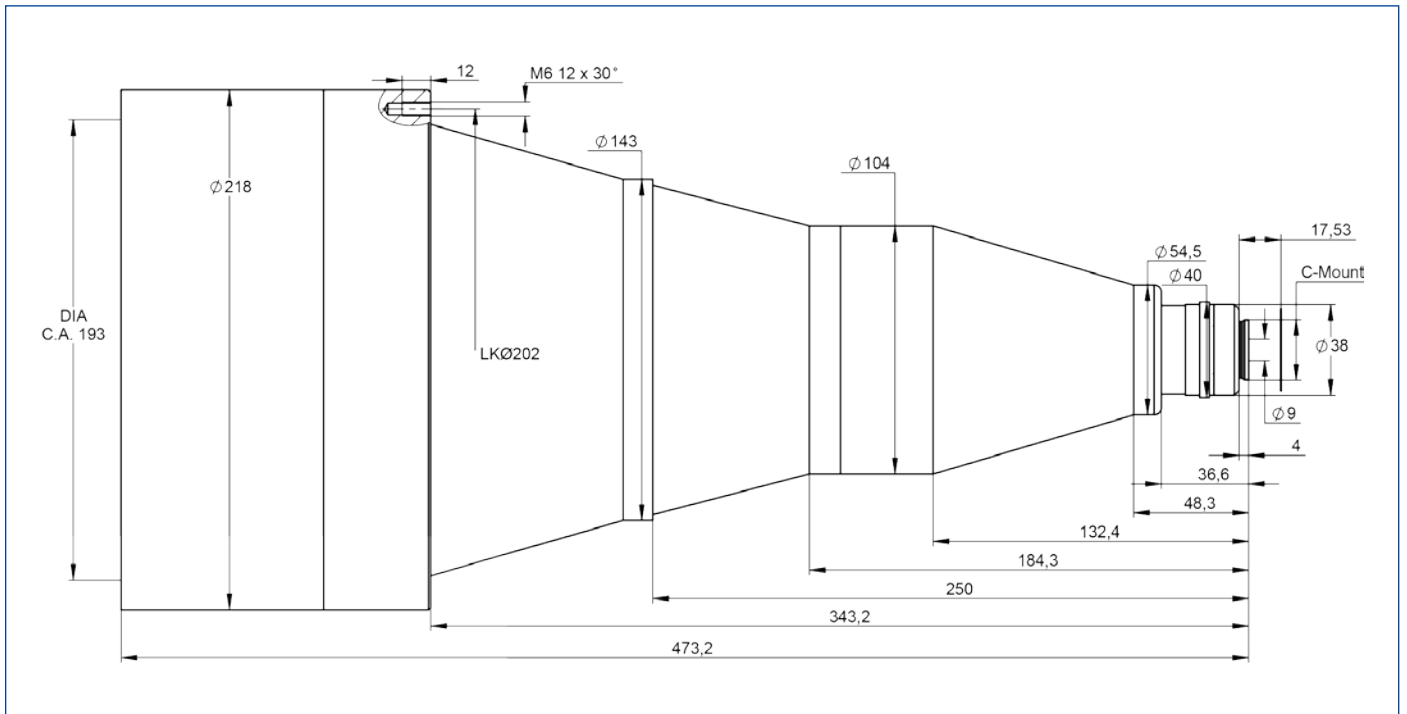


DATA SHEET



S5LPJ2720 Correctal® T200/0.063

- telecentric lens
- with c-mount
- with variable iris



outline drawing

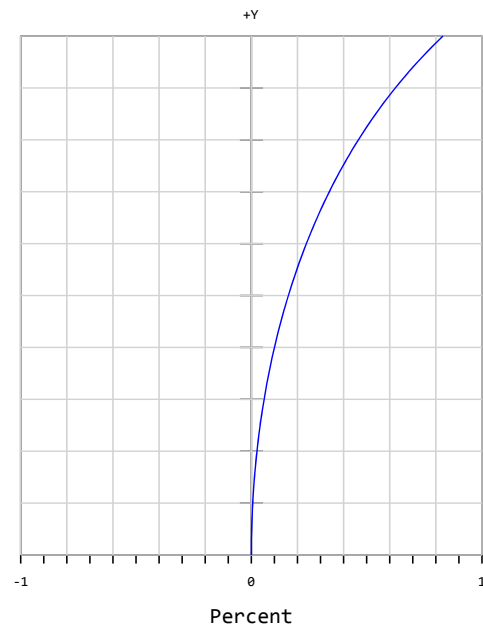
DATA SHEET



specifications

article number	S5LPJ2720
design wavelength [nm]	450-700
magnification (+/-5%)	0.062
working distance [mm] (+/-2%)	300.0
object size [mm]	77.4 x 58
at a chip size of [mm]	4.8 x 3.6 (1/3")
distortion [%]	0.2
object size [mm]	103.2 x 77.4
at a chip size of [mm]	6.4 x 4.8 (1/2")
distortion [%]	0.4
object size [mm]	141.9 x 106.4
at a chip size of [mm]	8.8 x 6.6 (2/3")
distortion [%]	0.8
max. telecentricity error [°]	0.02
numerical aperture	0.003
weight [kg]	12.00
flange back distance [mm]	17.53
accessory	---

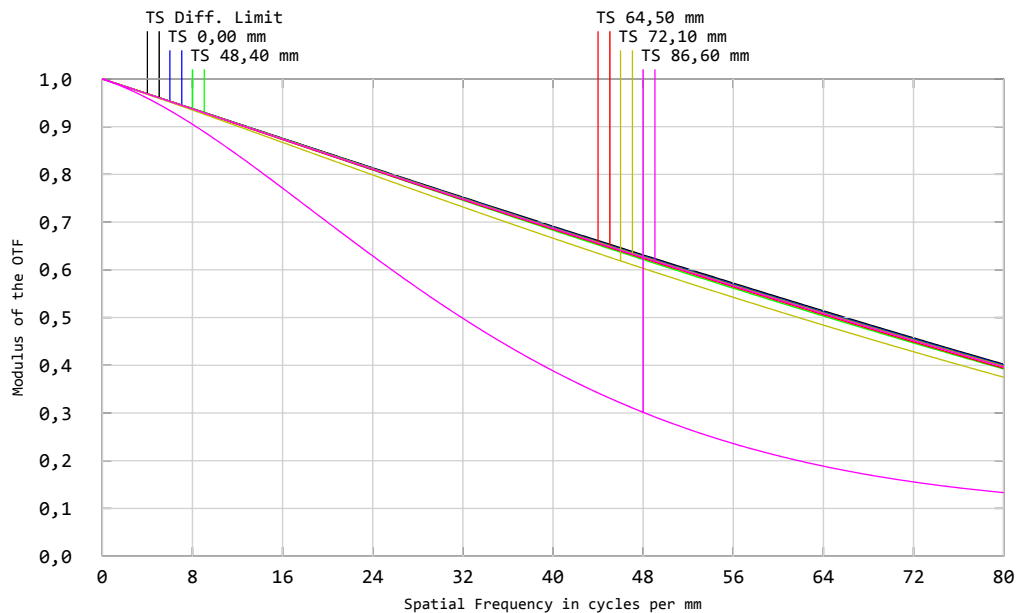
Distortion for 586 nm



x = distortion

y = max. field

MTF for various object heights at 586 nm



T. tangential

S. sagittal

graphs and data given by design.