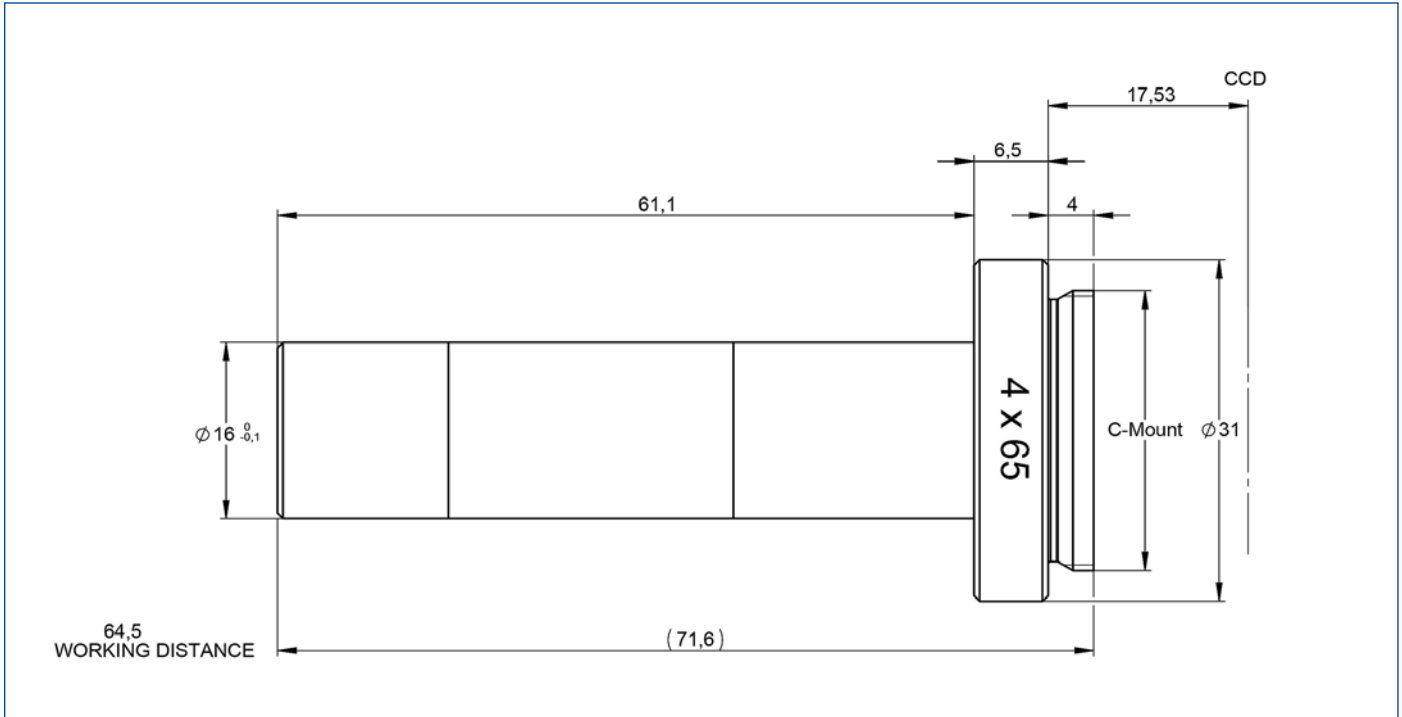


S5LPJ8465 miniature telecentric lens 4.0x



outline drawing

specifications

article number	S5LPJ8465	numerical aperture (fixed iris)	0.07
wavelength [nm]	450-700	resolution power ¹⁾ [μm]	4.43
magnification (±5%)	4.000	depth of field [mm]	0,13
working distance [mm] (±2%)	64.5	mount	C-mount
max. object size [mm] @ 4.8 x 3.6 (1/3")	1.2 x 0.9	flange focal distance [mm]	17.53
max. object size [mm] @ 6.4 x 4.8 (1/2")	1.6 x 1.2	Ø clear aperture [mm]	12.3
max. object size [mm] @ 8.8 x 6.6 (2/3")	2.2 x 1.6	with coaxial illumination ²⁾	0
max. distortion [%]	0.4	weight [kg]	0.04

Notes:

- data given by design

- glueing not possible

¹⁾ object-sided resolution power @550nm for given fixed numerical aperture

²⁾ integrated coaxial illumination with non-polarized beamsplitter, port for Ø 8 mm fibre or spot illumination