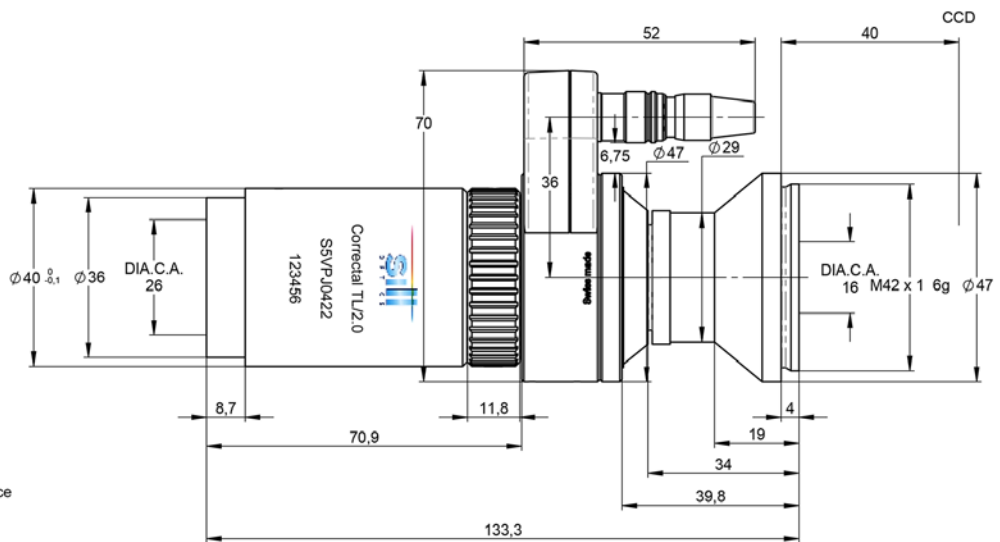


S5VPJ0422 Correctal® T30/2.0

- telecentric lens with tunable working distance
- with M42-thread
- with variable iris



outline drawing

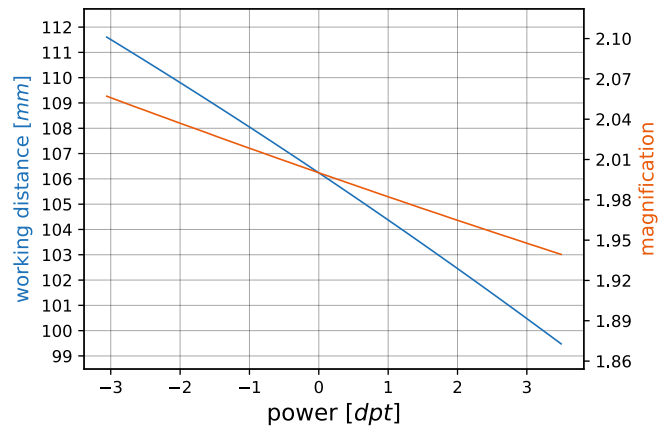
specifications

article number	S5VPJ0422
design wavelength [nm]	450-700
nominal magnification (+/-5%)	2.000
nominal working dist. [mm] (+/-2%)	106.2
object size [mm] at a chip size of [mm]	10.70 21.4
object size [mm] at a chip size of [mm]	14.30 28.6
object size [mm] at a chip size of [mm]	16.00 32
max. distortion [%]	0.6
max. telecentricity error [°]	0.01
numerical aperture	0.04
WD at +3.0 dpt	100.5
magn. at +3.0 dpt	1.948
WD at -2.0 dpt	109.8
magn. at -2.0 dpt	2.03
weight [kg]	0.30
flange back distance [mm]	40
accessory (not included)	S5ZUB1640 (Optotune lens driver 4i), S5ZUB1641 (connection cable 6pin Hirose, 100 cm)

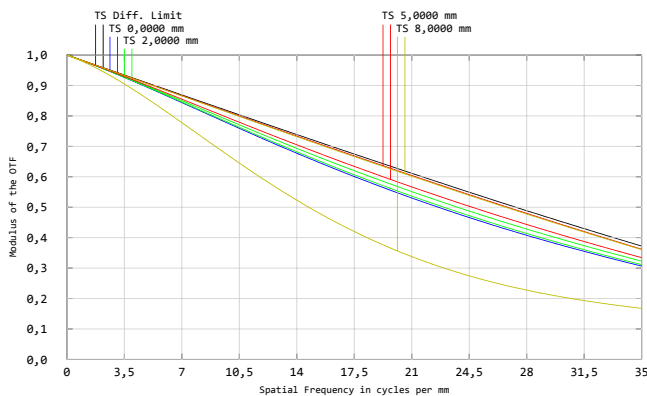
electronical specs

nominal optical power	-2.0 to +3.0 dpt
response time	5 ms
settling time	25 ms
nominal control current	-250 to +250 mA
nominal power consumption	0 to 0.7 W
lifecycles	> 1,000,000,000
operating temperature	-20 to +65 °C
storage temperature	-40 to +85 °C

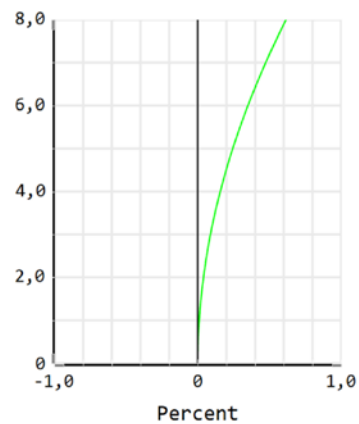
Detailed electronical specification, absolute control current and customized control datasheet: optotune.com



MTF for various object heights for 586 nm at 106.2 mm



Distortion for 586 nm at 106.2 mm



T. tangential S. sagittal x = distortion y = field size

graphs and data given by design.