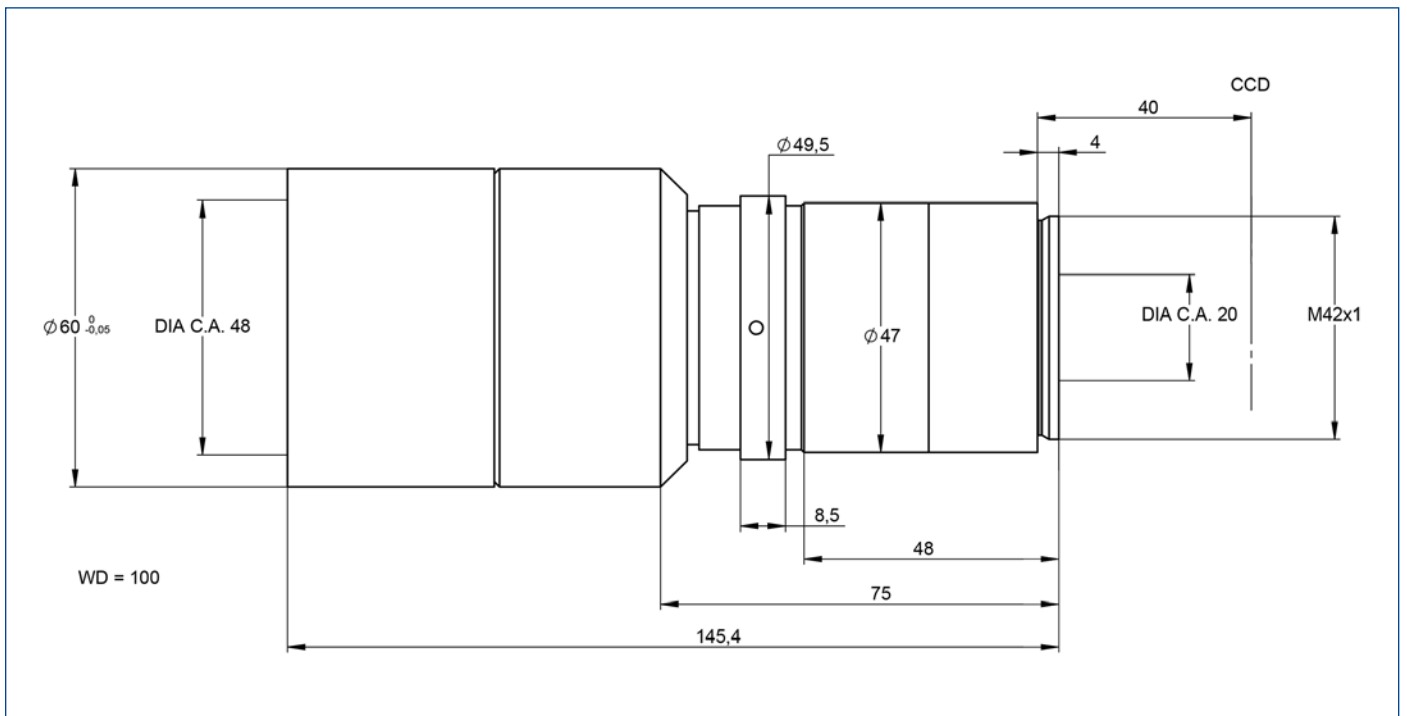


# DATA SHEET



## S5LPJ1005 Correctal® TL/0.92

- telecentric lens
- with M42-thread
- with variable iris



outline drawing

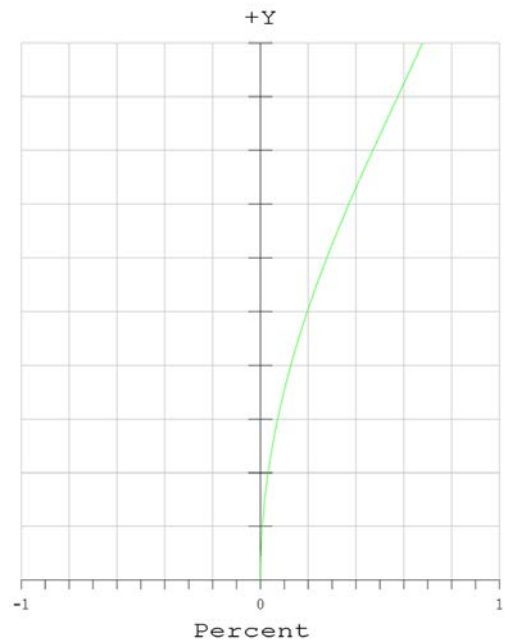
# DATA SHEET



## specifications

article number	S5LPJ1005
design wavelength [nm]	450-700
magnification (+/-5%)	0.924
working distance [mm] (+/-2%)	100.0
object size [mm]	13.8 x 10.3
at a chip size of [mm]	12.8 x 9.6 (1")
distortion [%]	0.2
object size [mm]	30.9
at a chip size of [mm]	28.6
distortion [%]	0.6
object size [mm]	37.8
at a chip size of [mm]	35.0
distortion [%]	0.8
max. telecentricity error [°]	0.2
numerical aperture	0.02
weight [kg]	0.80
flange back distance [mm]	40
accessory	---

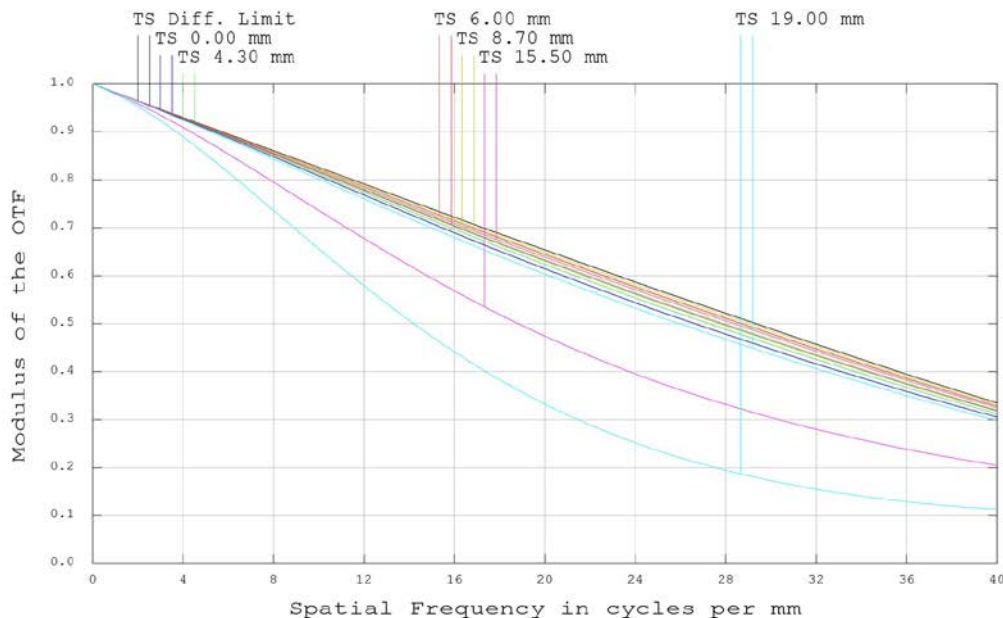
## Distortion for 586 nm



x = distortion

y = max. field

## MTF for various object heights at 586 nm



T. tangential

S. sagittal

graphs and data given by design.