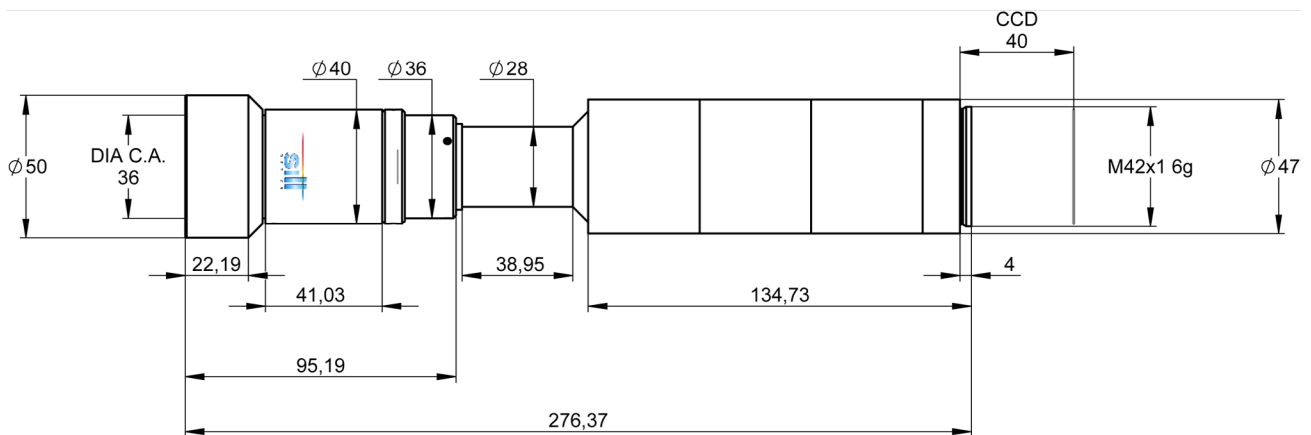


## DATA SHEET

### S5LPJ1304

**Correctal® TL32/4.0  
telecentric lens  
with M42-thread**



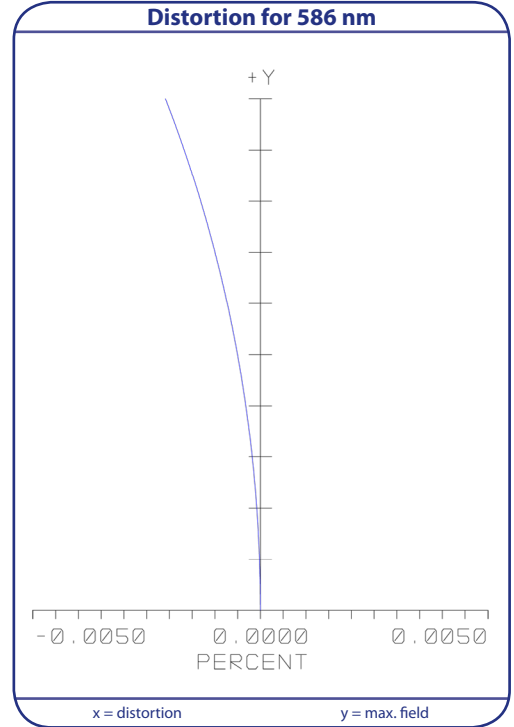
outline drawing

other adapter on special request

## S5LPJ1304

### Correctal® TL32/4.0 telecentric lens with M42-thread

| Specifications                                                    |                                          |
|-------------------------------------------------------------------|------------------------------------------|
| part number                                                       | S5LPJ1304                                |
| magnification (+/-5%)                                             | 4.0                                      |
| working distance [mm] (+/-2%)                                     | 184.2                                    |
| max. object size [mm]<br>at a chip size of [mm]<br>distorsion [%] | 1.2 x 0.9<br>4.8 x 3.6 (1/3")<br><0.05   |
| max. object size [mm]<br>at a chip size of [mm]<br>distorsion [%] | 1.6 x 1.2<br>6.4 x 4.8 (1/2")<br><0.05   |
| max. object size [mm]<br>at a chip size of [mm]<br>distorsion [%] | 1.8 x 1.3<br>7.2 x 5.3 (1/1.8")<br><0.05 |
| max. object size [mm]<br>at a chip size of [mm]<br>distorsion [%] | 2.2 x 1.6<br>8.8 x 6.6 (2/3")<br><0.05   |
| numerical aperture                                                | 0.06                                     |
| max. outside-Ø [mm]                                               | 50.0                                     |
| length [mm] (+/-2%)                                               | 272.4                                    |
| weight [kg]                                                       | not yet weighed                          |
|                                                                   |                                          |
|                                                                   |                                          |



T.. Tangential

### MTF for various object heights at 586nm

S.. Sagittal

