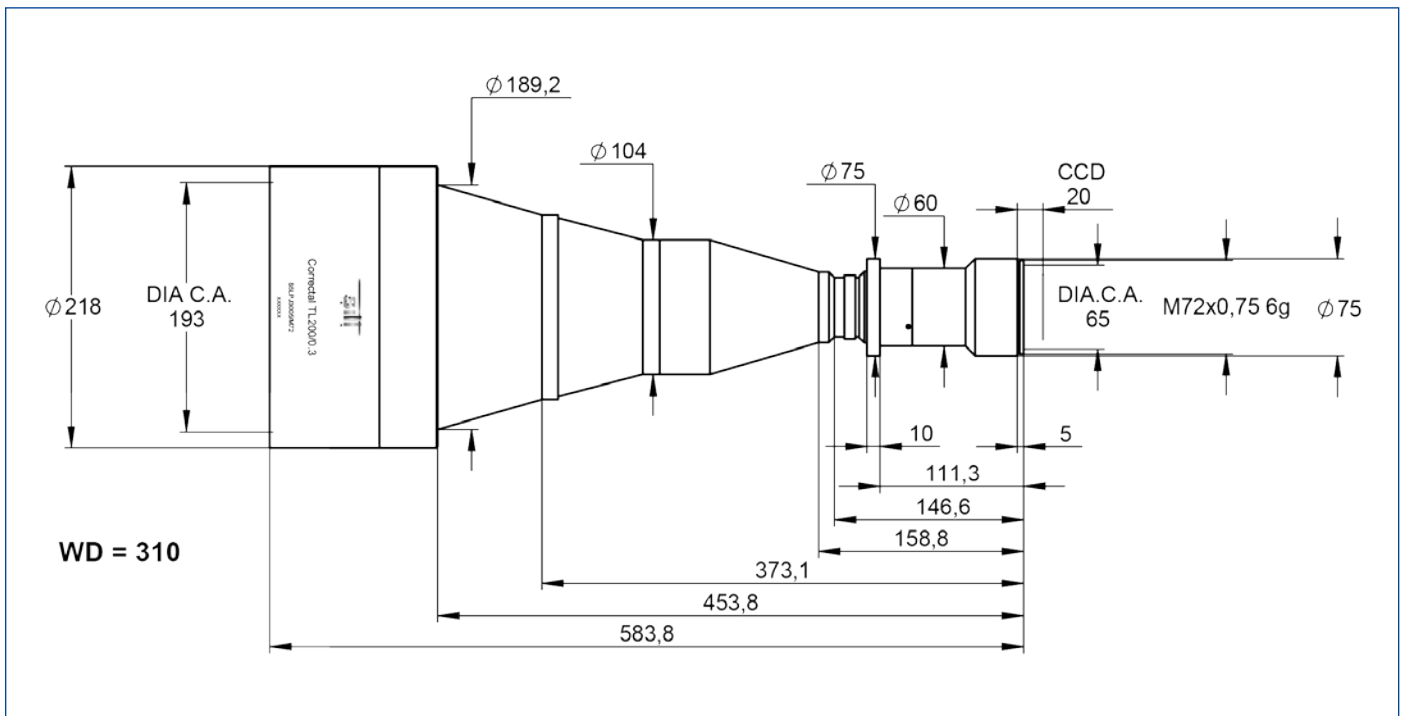


DATA SHEET



S5LPJ3005/M72 Correctal® TL200/0.33

- telecentric lens
- with M72-thread
- with variable iris



outline drawing

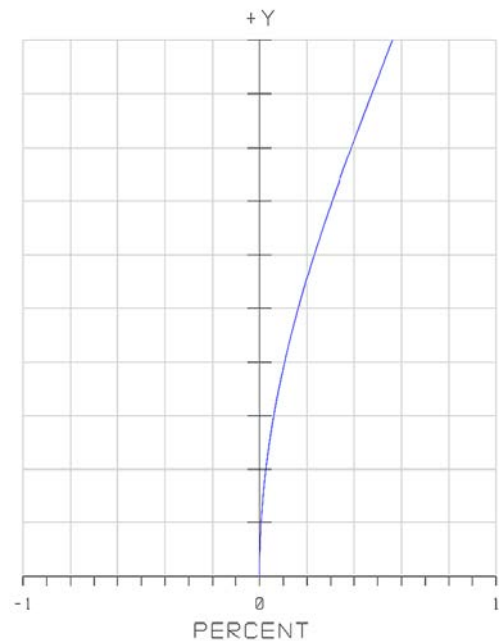
DATA SHEET



specifications

article number	SSLPJ3005/M72
design wavelength [nm]	450-700
magnification (+/-5%)	0.334
working distance [mm] (+/-2%)	310.0
object size [mm]	104.70
at a chip size of [mm]	35
distortion [%]	0.25
object size [mm]	129.60
at a chip size of [mm]	43.3
distortion [%]	0.3
object size [mm]	179,60
at a chip size of [mm]	60
distortion [%]	0.6
max. telecentricity error [°]	0.07
numerical aperture	0.02
weight [kg]	13.10
flange back distance [mm]	20
accessory	---

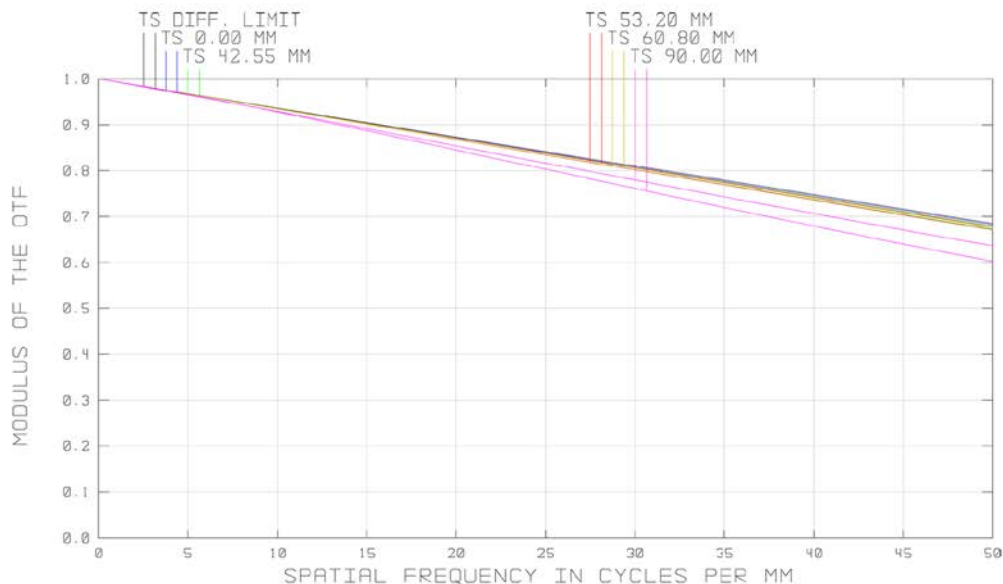
Distortion for 586 nm



x = distortion

y = max. field

MTF for various object heights at 586 nm



T. tangential

S. sagittal

graphs and data given by design.