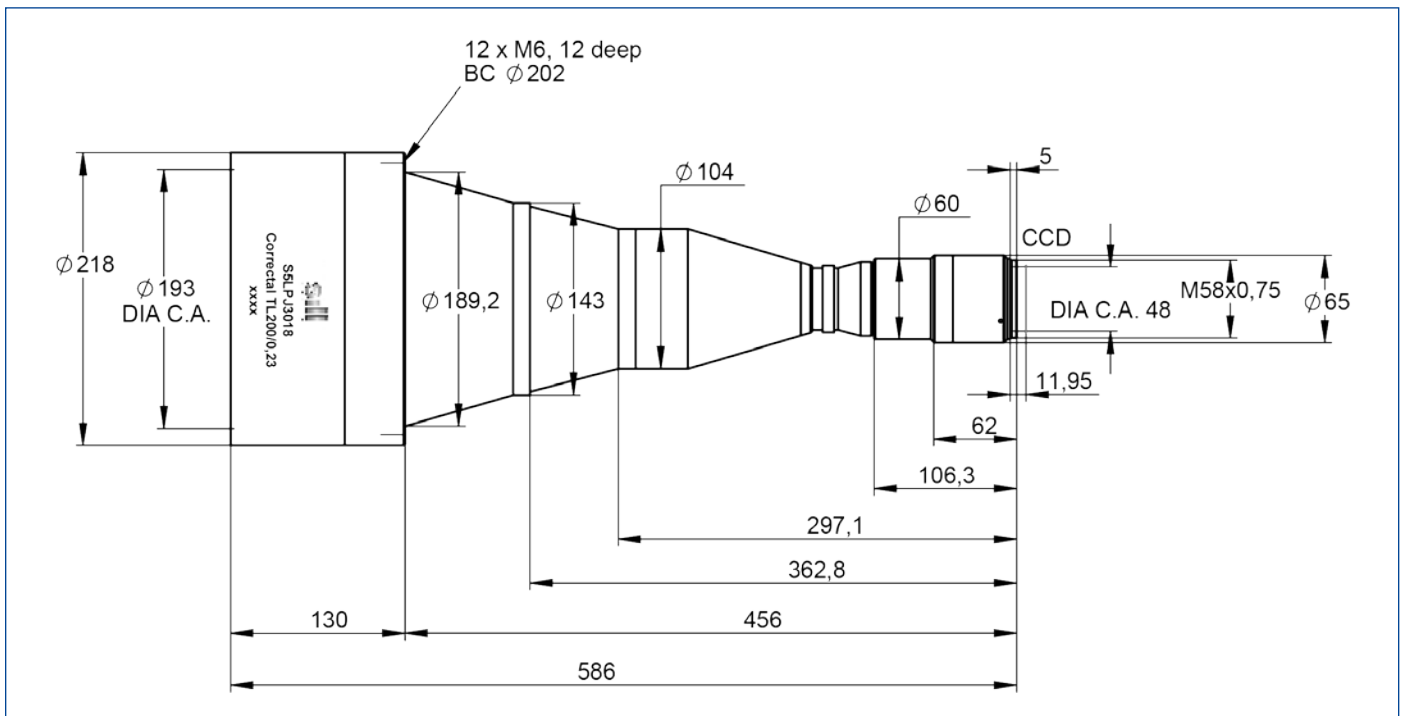


DATA SHEET



S5LPJ3018 Correctal® TL200/0.23

- telecentric lens
- with M58-thread
- with variable iris



outline drawing

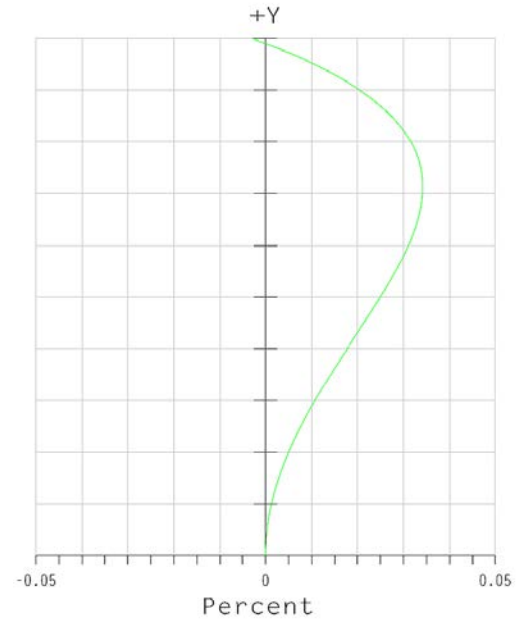
DATA SHEET



specifications

article number	S5LPJ3018
design wavelength [nm]	450-700
magnification (+/-5%)	0.231
working distance [mm] (+/-2%)	310.0
object size [mm]	123.80
at a chip size of [mm]	28.6
distortion [%]	<0.05
object size [mm]	151.50
at a chip size of [mm]	35
distortion [%]	<0.05
object size [mm]	187,40
at a chip size of [mm]	43.3
distortion [%]	<0.05
max. telecentricity error [°]	0.16
numerical aperture	0.02
weight [kg]	13.50
flange back distance [mm]	11.95
accessory	---

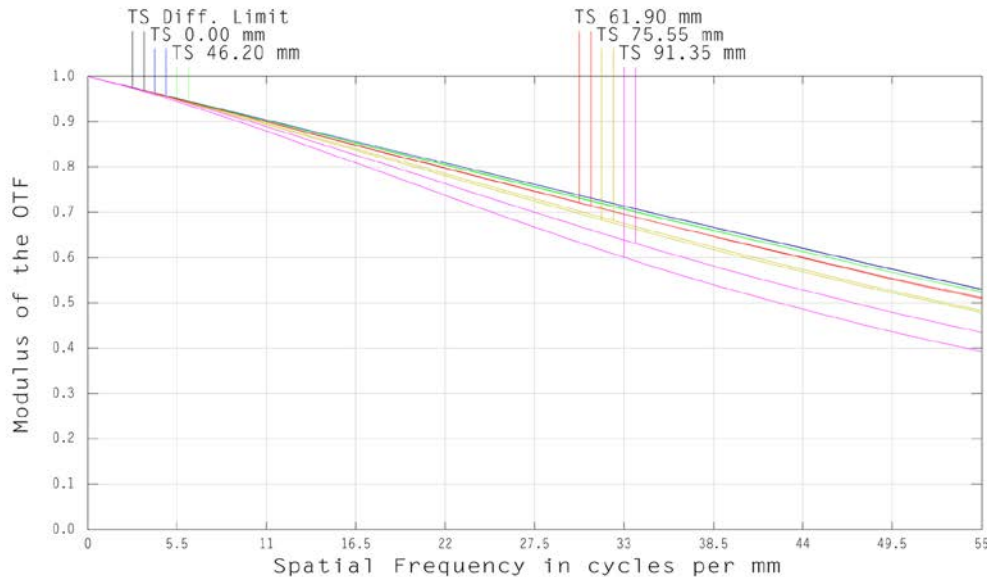
Distortion for 586 nm



x = distortion

y = max. field

MTF for various object heights at 586 nm



T. tangential

S. sagittal

graphs and data given by design.