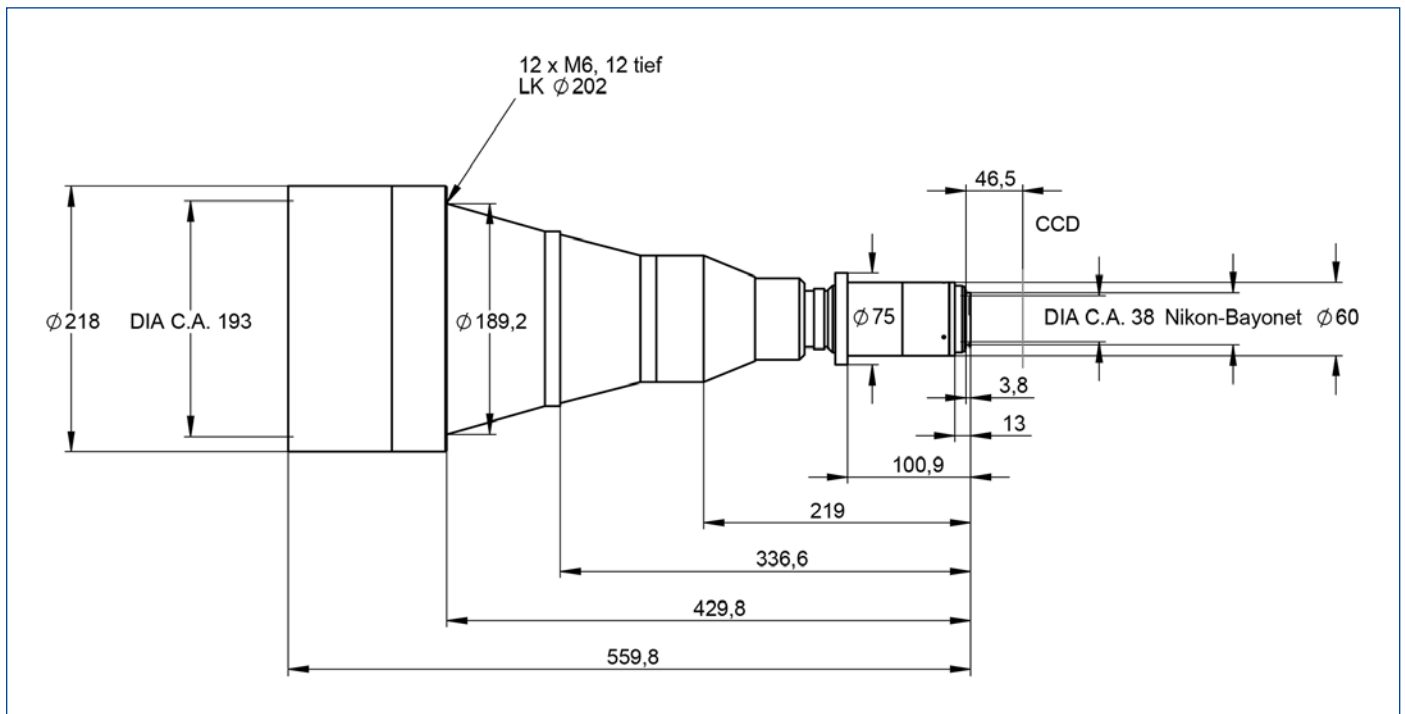


# DATA SHEET



## S5LPJ3025/212 Correctal® TL200/0.25

- telecentric lens
- with Nikon-bayonet
- with variable iris



outline drawing

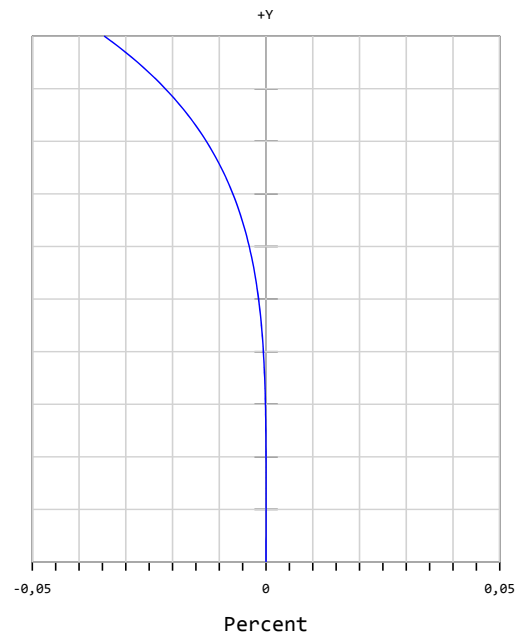
# DATA SHEET



## specifications

|                               |                 |
|-------------------------------|-----------------|
| article number                | S5LPJ3025/212   |
| design wavelength [nm]        | 450-700         |
| magnification (+/-5%)         | 0.250           |
| working distance [mm] (+/-2%) | 310.0           |
| object size [mm]              | 51.2 x 38.4     |
| at a chip size of [mm]        | 12.8 x 9.6 (1") |
| distortion [%]                | <0.05           |
| object size [mm]              | 114.40          |
| at a chip size of [mm]        | 28.6            |
| distortion [%]                | <0.05           |
| object size [mm]              | 140.00          |
| at a chip size of [mm]        | 35              |
| distortion [%]                | <0.05           |
| max. telecentricity error [°] | 0.048           |
| numerical aperture            | 0.02            |
| weight [kg]                   | 13.00           |
| flange back distance [mm]     | 64.5            |
| accessory                     | ---             |

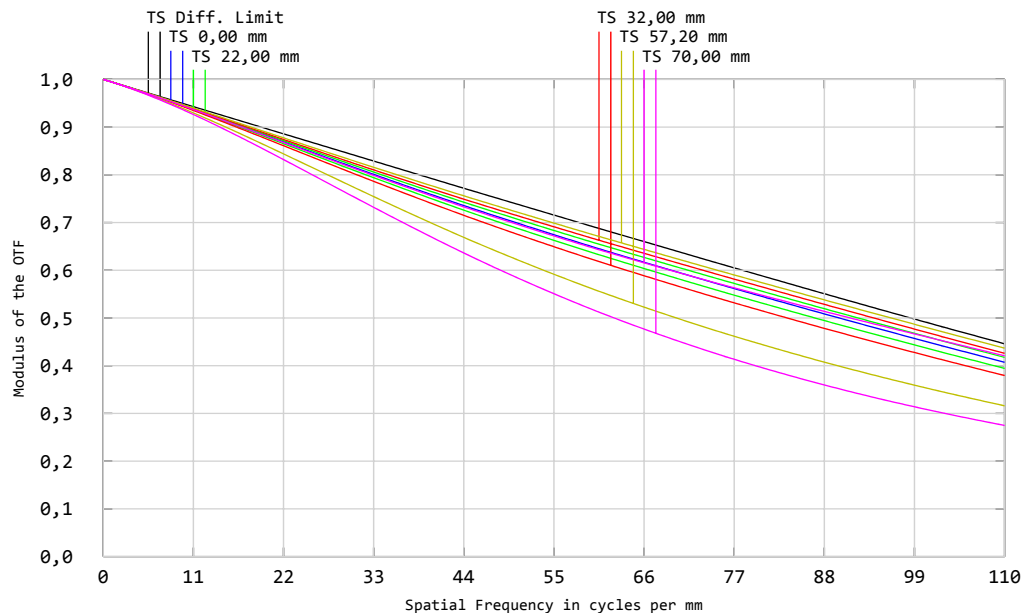
## Distortion for 586 nm



x = distortion

y = max. field

## MTF for various object heights at 586 nm



T. tangential

S. sagittal

graphs and data given by design.