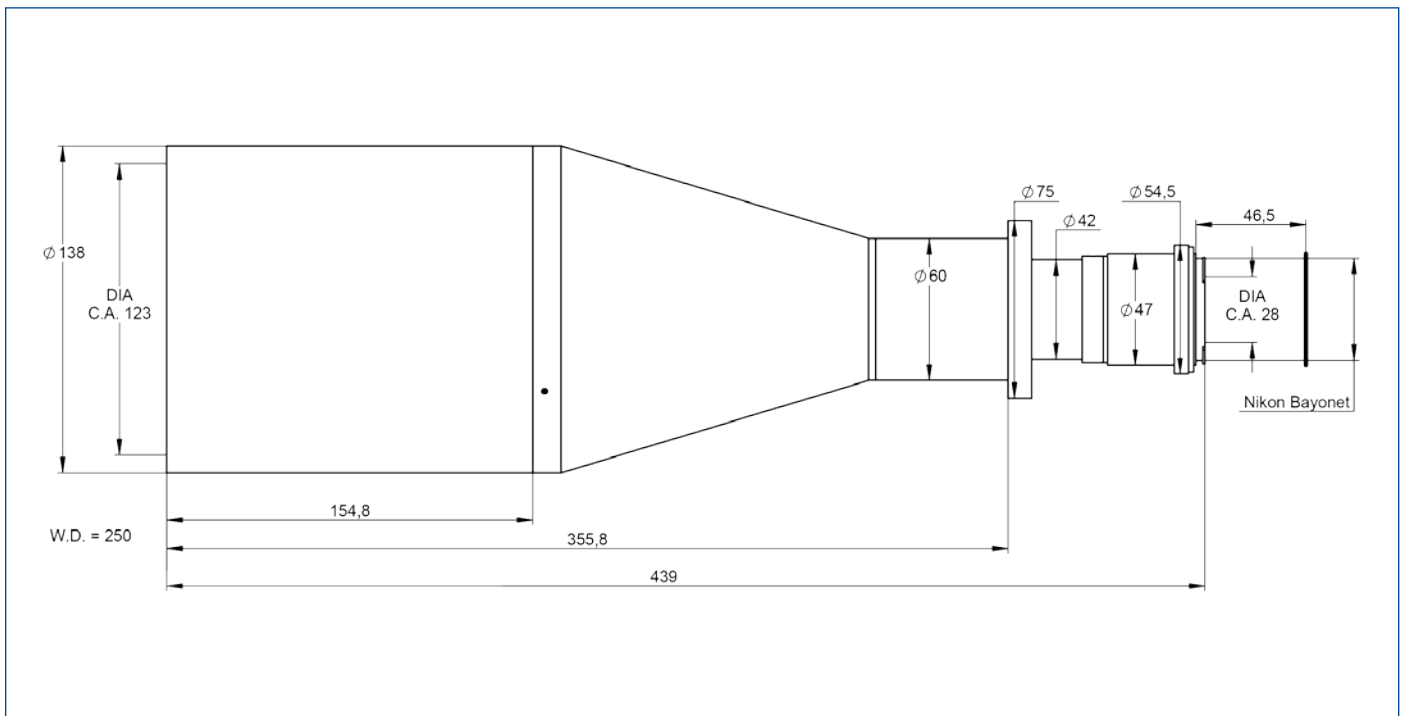
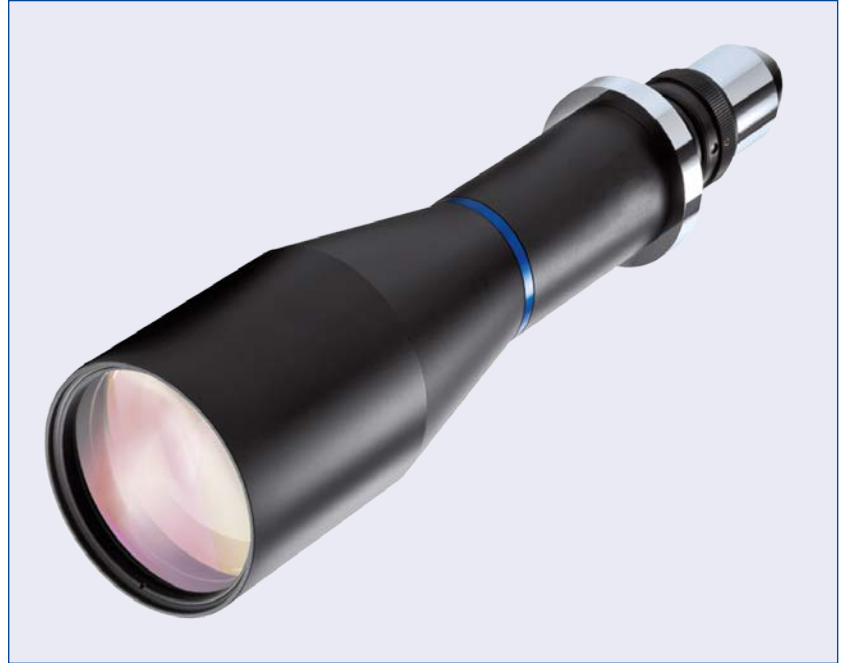


DATA SHEET



S5LPJ4005/212 Correctal® TL/0.33

- telecentric lens
- with Nikon-bayonet
- with variable iris



outline drawing

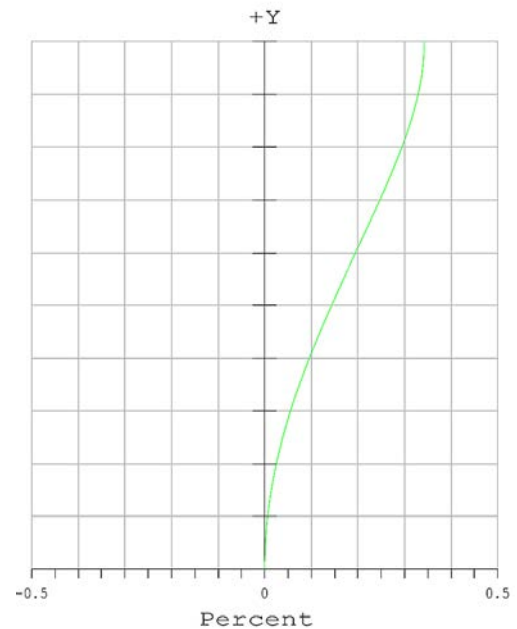
DATA SHEET



specifications

article number	S5LPJ4005/212
design wavelength [nm]	450-700
magnification (+/-5%)	0.332
working distance [mm] (+/-2%)	250.0
object size [mm]	59.3 x 45.1
at a chip size of [mm]	19.7 x 15.0 (1.34")
distortion [%]	0.05
object size [mm]	86.10
at a chip size of [mm]	28.6
distortion [%]	0.29
object size [mm]	105,40
at a chip size of [mm]	35
distortion [%]	0.31
max. telecentricity error [°]	0.5
numerical aperture	0.01
weight [kg]	not yet weighed
flange back distance [mm]	46.5
accessory	S5SET0020, S5SET1530

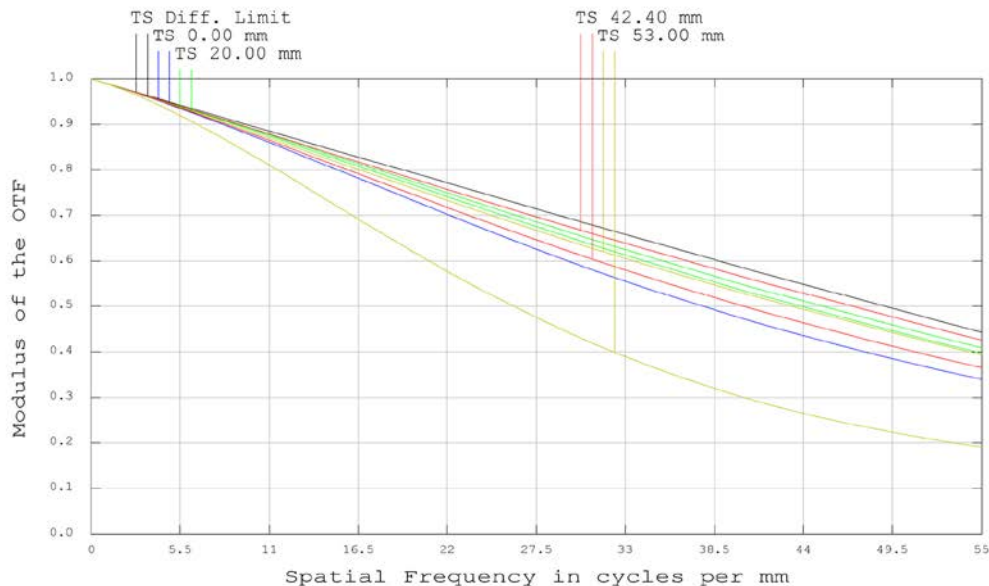
Distortion for 586 nm



x = distortion

y = max. field

MTF for various object heights at 586 nm



T. tangential

S. sagittal

graphs and data given by design.