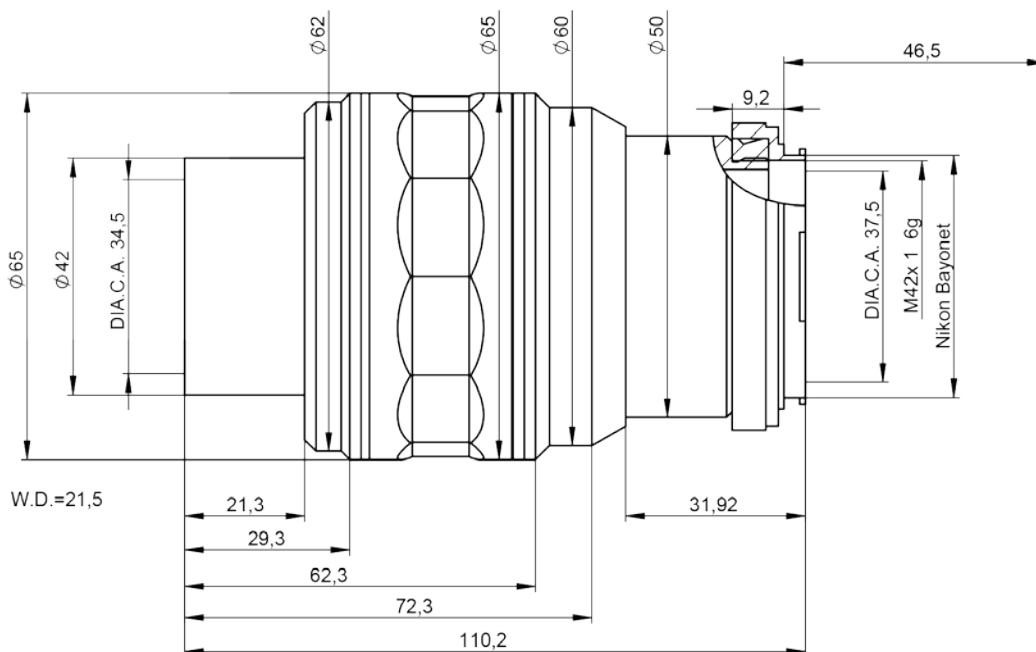


# DATA SHEET



## S5LPJ5066 Correctal® TL/1.5

- telecentric lens
- with Nikon-bayonet
- with variable iris



outline drawing

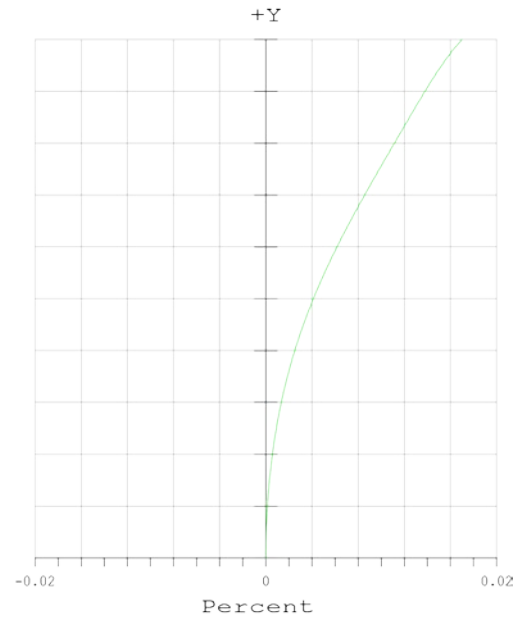
# DATA SHEET



## specifications

article number	S5LPJ5066
design wavelength [nm]	450-700
magnification (+/-5%)	1.500
working distance [mm] (+/-2%)	21.5
object size [mm]	19.00
at a chip size of [mm]	28.6
distortion [%]	<0.05
object size [mm]	23.30
at a chip size of [mm]	35
distortion [%]	<0.05
object size [mm]	24 x 16
at a chip size of [mm]	36.0 x 24.0 (KB)
distortion [%]	<0.05
max. telecentricity error [°]	1.44
numerical aperture	0.07
weight [kg]	0.50
flange back distance [mm]	46.5
accessory	---

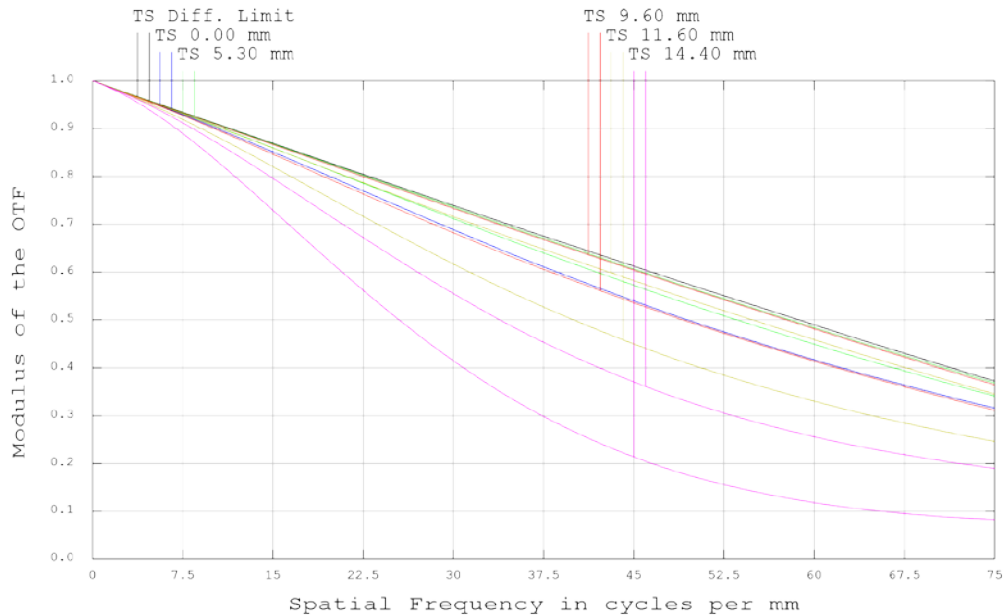
## Distortion for 586 nm



x = distortion

y = max. field

## MTF for various object heights at 586 nm



T. tangential

S. sagittal

graphs and data given by design.