

# DATA SHEET

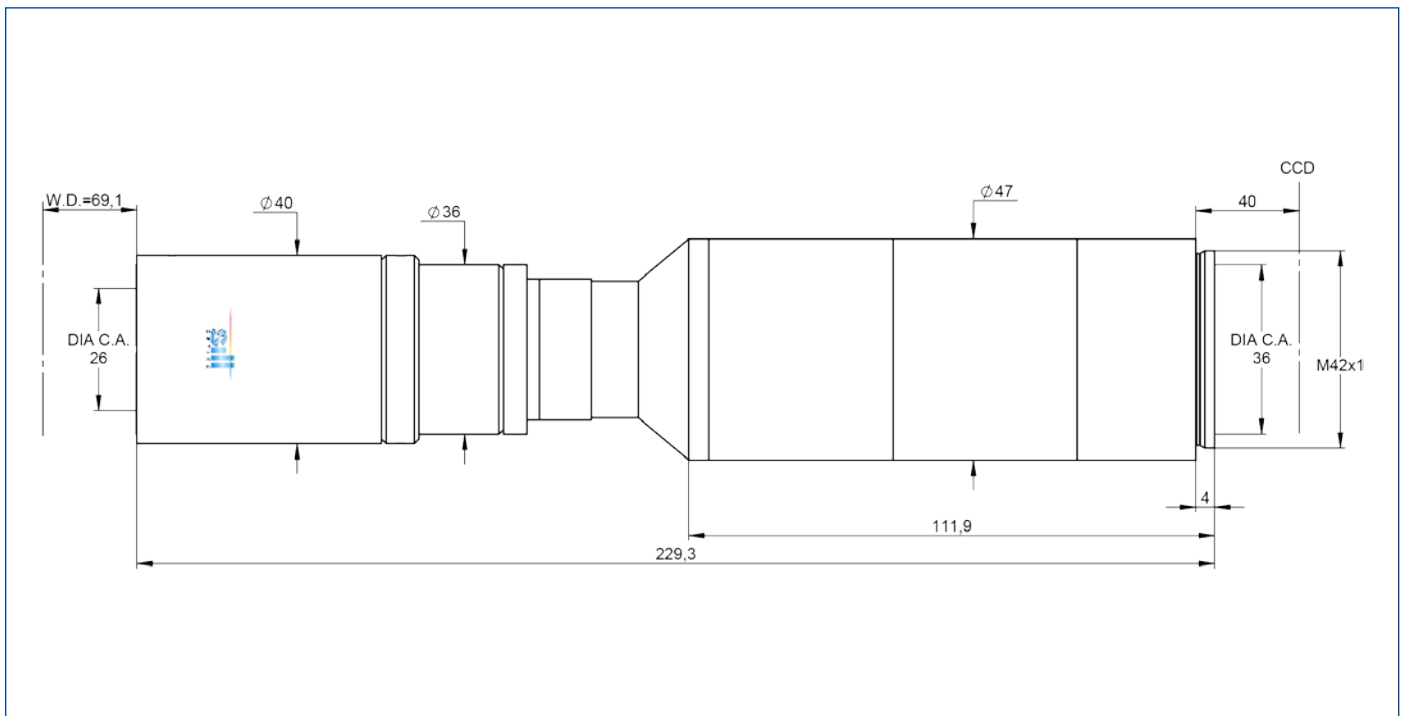


## S5LPJ9325 Correctal® TL/5.0

- telecentric lens
- with M42-thread
- with variable iris



illustration only



outline drawing

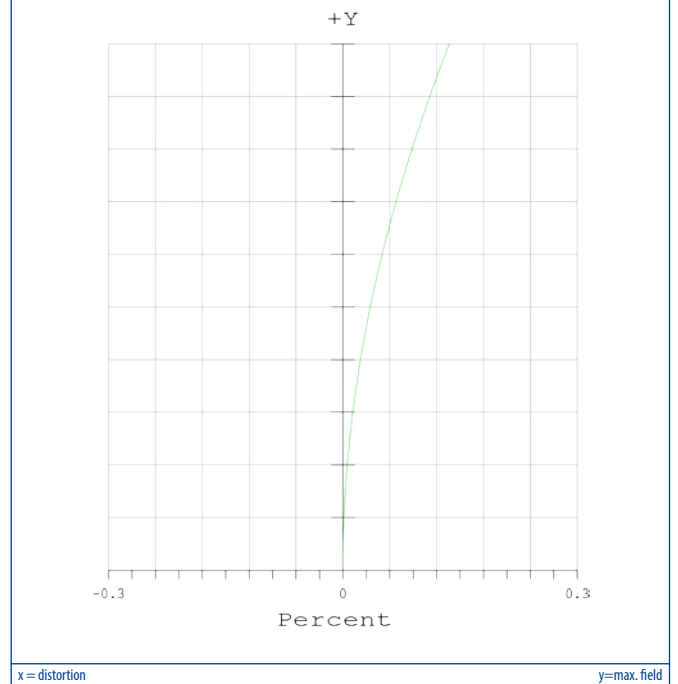
# DATA SHEET



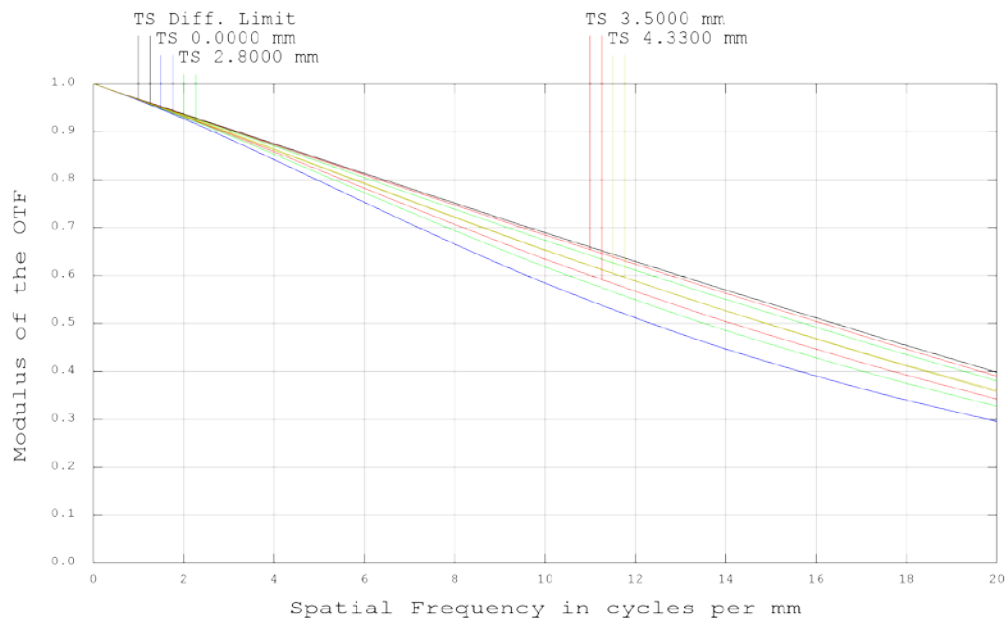
## specifications

article number	S5LPJ9325
design wavelength [nm]	400-700
magnification (+/-5%)	5.000
working distance [mm] (+/-2%)	69.1
object size [mm]	5.70
at a chip size of [mm]	28.6
distortion [%]	0.07
object size [mm]	7.00
at a chip size of [mm]	35
distortion [%]	0.1
object size [mm]	8,60
at a chip size of [mm]	43.3
distortion [%]	0.15
max. telecentricity error [°]	0.05
numerical aperture	0.06
weight [kg]	0.45
flange back distance [mm]	40
accessory	---

## Distortion for 586 nm



## MTF for various object heights at 586 nm



T. tangential

S. sagittal

graphs and data given by design.