

# DATA SHEET



## S5LPJ2568 Correctal® TL40/8.0

- telecentric lens with
- high NA and c-mount
- with variable iris

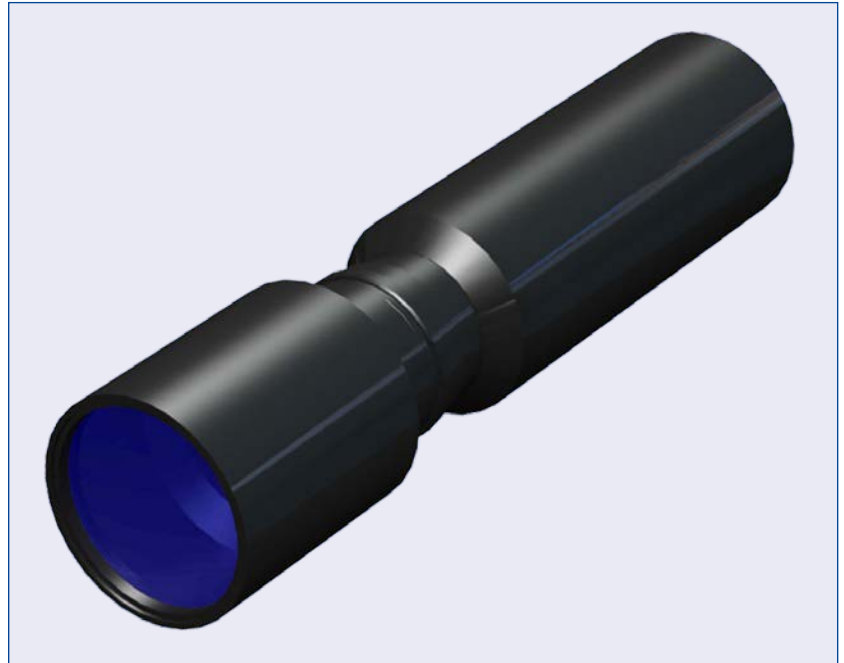
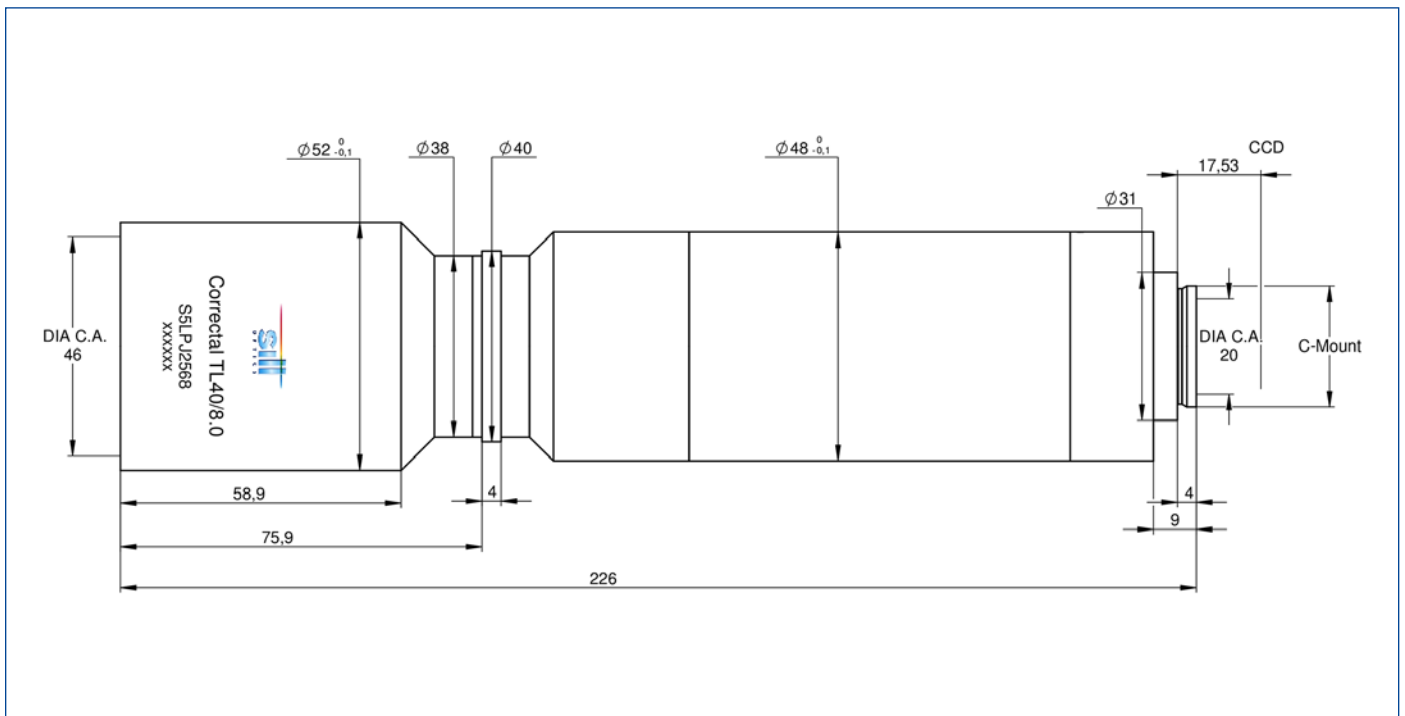


illustration only



outline drawing

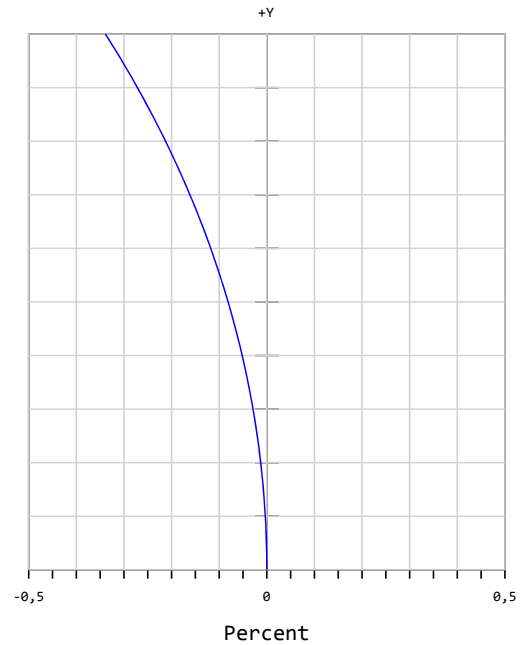
# DATA SHEET



## specifications

article number	S5LPJ2568
design wavelength [nm]	650
magnification (+/-5%)	8.000
working distance [mm] (+/-2%)	100.5
object size [mm]	0.8 x 0.6
at a chip size of [mm]	6.4 x 4.8 (1/2")
distortion [%]	0.1
object size [mm]	1.1 x 0.8
at a chip size of [mm]	8.8 x 6.6 (2/3")
distortion [%]	0.2
object size [mm]	1.6 x 1.2
at a chip size of [mm]	12.8 x 9.6 (1")
distortion [%]	0.3
max. telecentricity error [°]	0.01
numerical aperture	0.18
weight [kg]	3.30
flange back distance [mm]	17.53
accessory	---

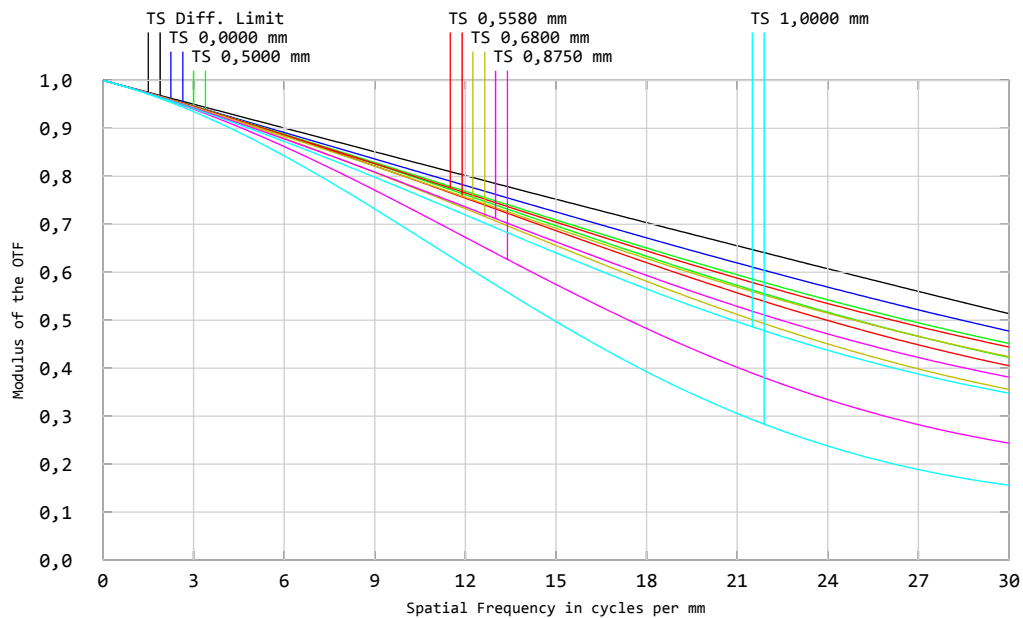
## Distortion for 650 nm



x = distortion

y = max. field

## MTF for various object heights at 650 nm



T. tangential

S. sagittal

graphs and data given by design.