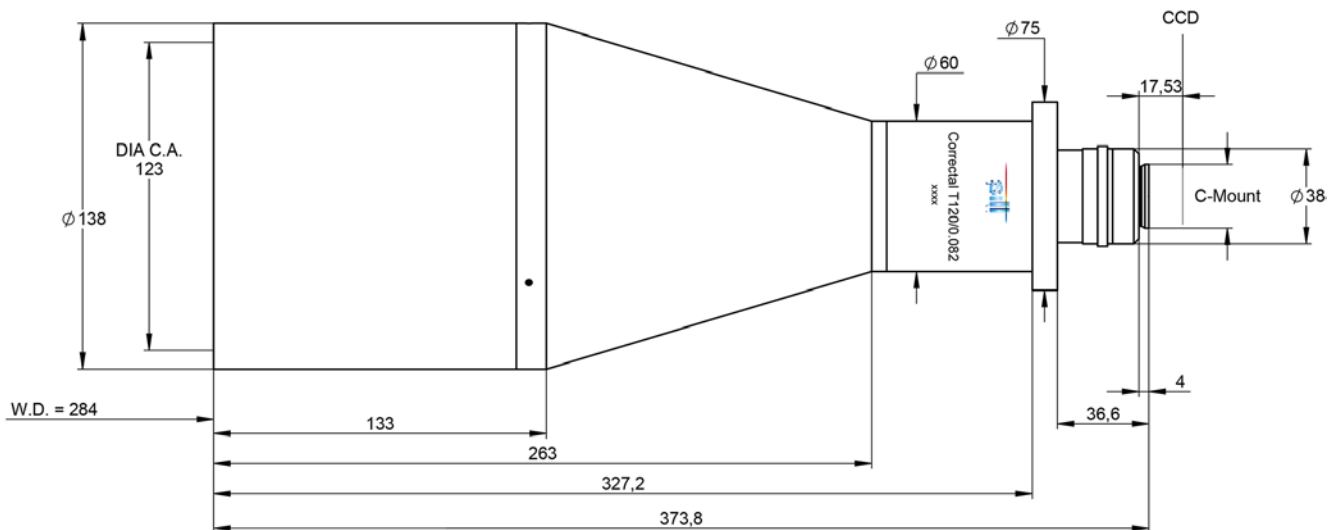


DATA SHEET



S5LPJ1523 Correctal® T120/0.082

- telecentric lens
- with c-mount
- with variable iris



outline drawing

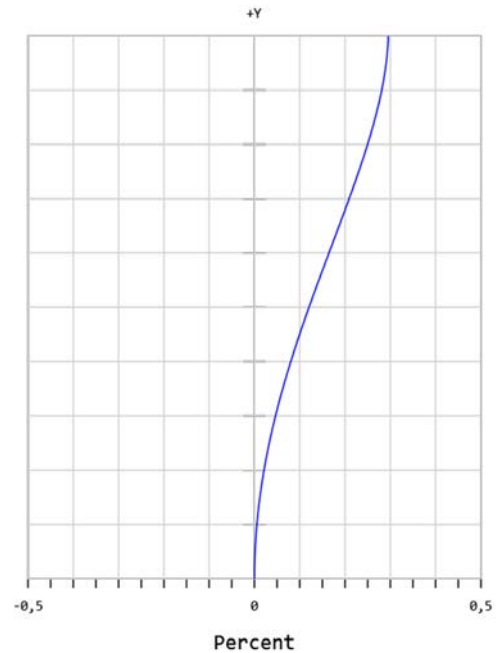
DATA SHEET



specifications

| | |
|-------------------------------|----------------------|
| article number | S5LPJ1523 |
| design wavelength [nm] | 450-700 |
| magnification (+/-5%) | 0.082 |
| working distance [mm] (+/-2%) | 284.0 |
| object size [mm] | 58.5 x 43.9 |
| at a chip size of [mm] | 4.8 x 3.6 (1/3") |
| distortion [%] | 0.1 |
| object size [mm] | 78 x 58.5 |
| at a chip size of [mm] | 6.4 x 4.8 (1/2") |
| distortion [%] | 0.3 |
| object size [mm] | --- |
| at a chip size of [mm] | 7.2 x 5.3 (1/1.8") |
| distortion [%] | --- |
| max. telecentricity error [°] | < 0.01 |
| numerical aperture | 0.01 |
| weight [kg] | 4.60 |
| flange back distance [mm] | 17.53 |
| accessory | S5SET0020, S5SET1530 |

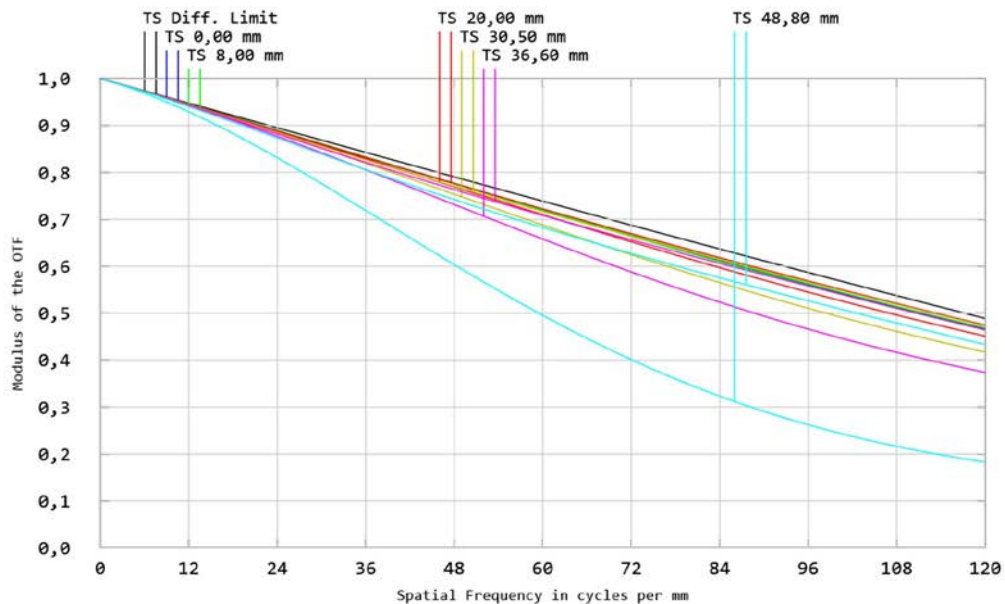
Distortion for 586 nm



x = distortion

y = max. field

MTF for various object heights at 586 nm



T. tangential

S. sagittal

graphs and data given by design.