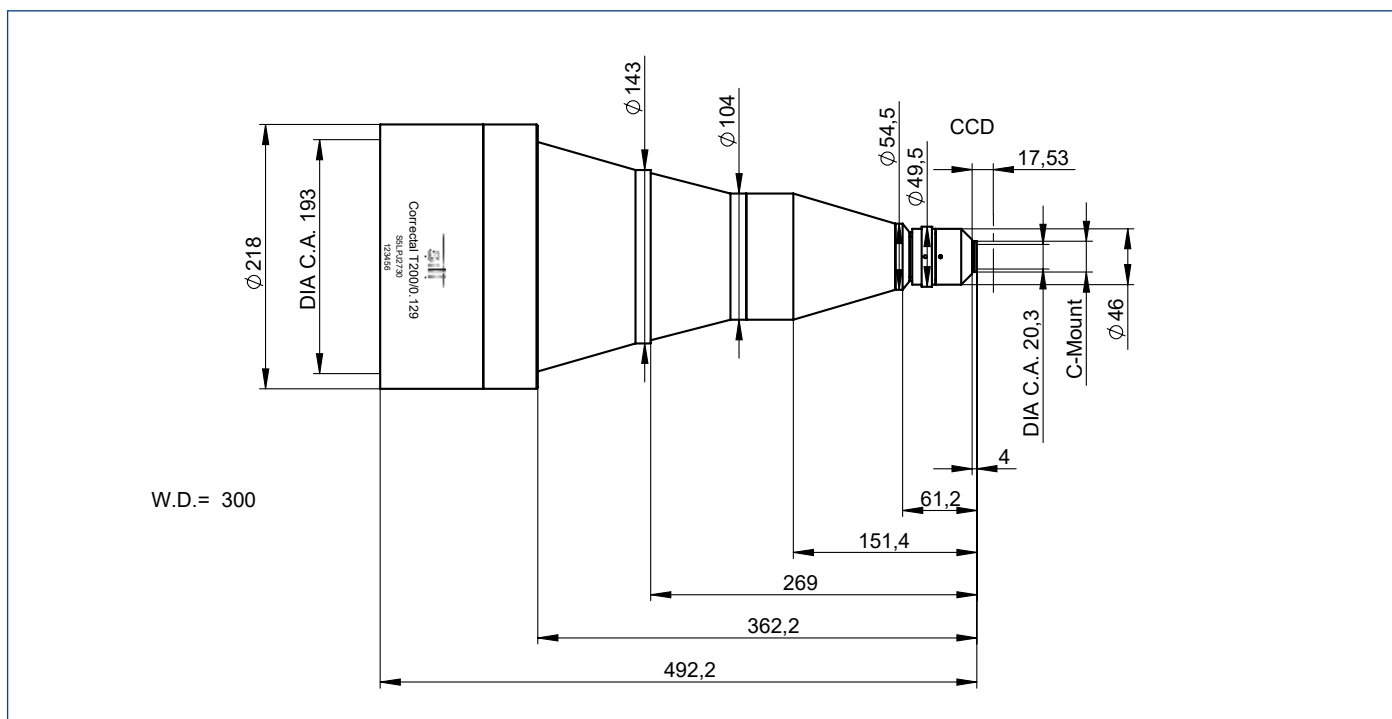


DATA SHEET



S5LPJ2730 Correctal® T200/0.05

- telecentric lens
- with c-mount
- with variable iris



outline drawing

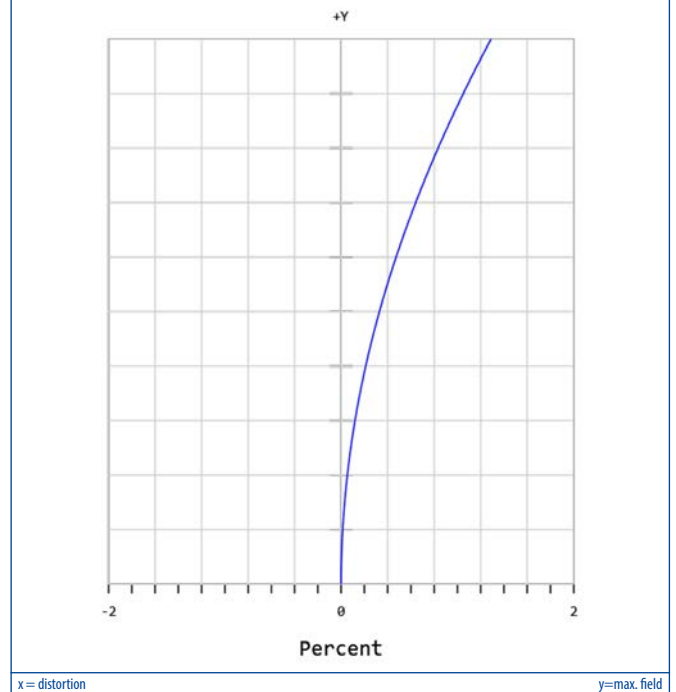
DATA SHEET



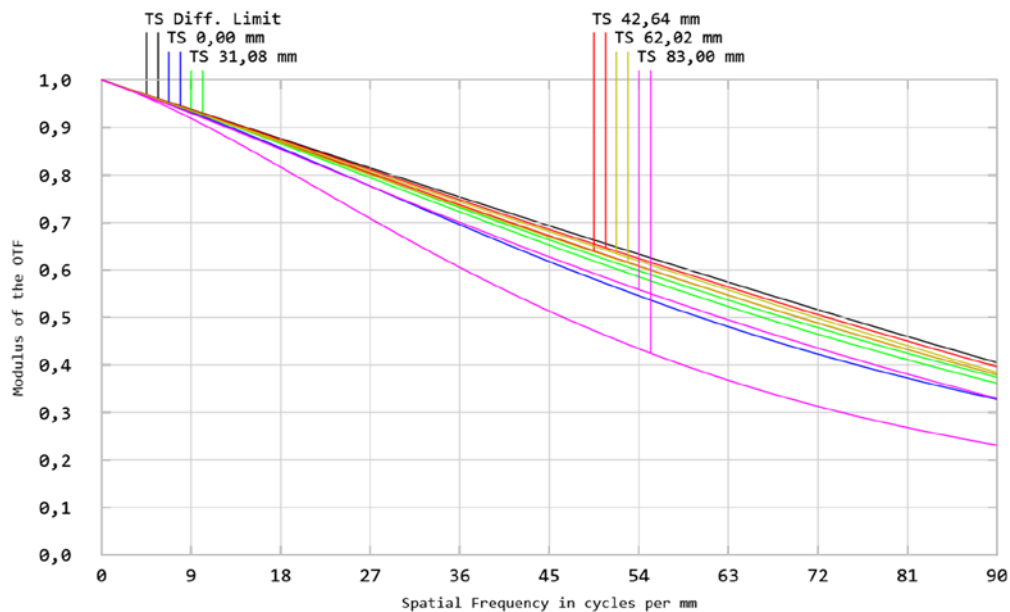
specifications

article number	S5LPJ2730
design wavelength [nm]	450-700
magnification (+/-5%)	0.129
working distance [mm] (+/-2%)	300.0
object size [mm]	68.2 x 51.1
at a chip size of [mm]	8.8 x 6.6 (2/3")
distortion [%]	0.3
object size [mm]	99.2 x 74.4
at a chip size of [mm]	12.8 x 9.6 (1")
distortion [%]	0.7
object size [mm]	100 x 132.5
at a chip size of [mm]	12.9 x 17.1 (1.25")
distortion [%]	1.3
max. telecentricity error [°]	0.02
numerical aperture	0.01
weight [kg]	not yet weighed
flange back distance [mm]	17.53
accessory	---

Distortion for 586 nm



MTF for various object heights at 586 nm



T. tangential

S. sagittal

graphs and data given by design.