



**For FA/Machine Vision
Fixed Focal**

HF50SA-1

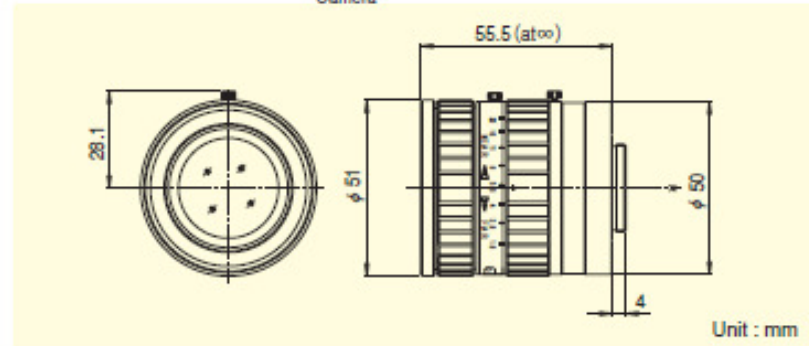
Applicable camera (model)

1	2/3	1/2	1/3	1/4
■				

FIXED Fixed Focal	5 Mega For Megapixel Camera	MANUAL Manual Iris	C-mt C Mount	METAL Metal Mount
-----------------------------	---------------------------------------	------------------------------	------------------------	-----------------------------



- High-resolution design, providing support for up to 5 megapixel camera resolution.
- Wide-aperture (F1.8) design achieves clear images under low light intensity, despite the long focal distance.
- Enhanced image recognition accuracy achieved by reduction of distortion and improvement of illumination uniformity.
- Robust enclosure resistant to vibrations and shocks. Equipped with locking knobs for the iris and the focus.



Focal Length (mm)		50
Iris Range		F1.8 ~ F22
Operation	Focus	Manual
	Iris	Manual
Angle Of View (H×V)	2/3"	10°03' × 7°33'
	1/2"	7°19' × 5°30'
	1/3"	5°30' × 4°07'
Focusing Range (From Front Of The Lens) (m)		∞ ~ 0.4 *1
Object Dimensions at M.O.D. (H×V) (mm)	2/3"	70 × 52
	1/2"	51 × 38
	1/3"	38 × 28
Back Focal Distance (in air) (mm)		17.81
Exit Pupil Position (From Image Plane) (mm)		-49
Filter Thread (mm)		M49 × 0.75
Mount		C
Mass (g)		240

Remarks

- With Metal Mount
- With Locking Knob for Iris and Focus

*1 Using an extension tube longer than 5mm the M.O.D. will increase to 0.3m.