

# H1328KP

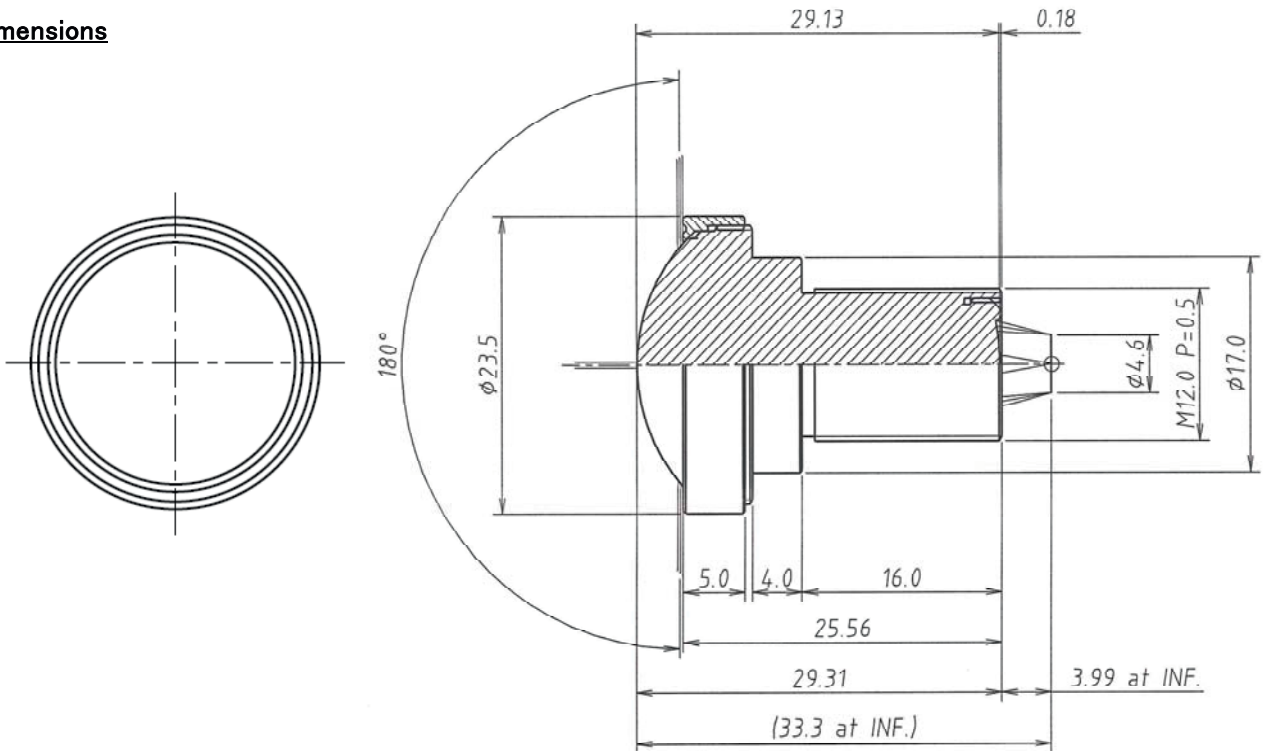
f = 1.3mm F2.8 Megapixel lens  
for 1/2 type Format Board Cameras, Fisheye, No Iris

Model No.	H1328KP		Effective	Front	$\phi$ 19.5mm		
Focal Length	1.3mm		Lens Aperture	Rear	$\phi$ 7.0mm		
Max. Aperture Ratio	1:2.8		Distortion		-99.4% ( $\gamma=2.3$ )		
Image Size at 180°	$\phi$ 4.6		Back Focal Length		4.17mm		
Operation Range	Iris	—		Flange Back Length			
	Focus	0.05m - Inf.		Mount		M12 P=0.5mm	
Object Dimension at M.O.D.	1/2 type	—		Dimensions		$\phi$ 23.5mm x 29.31mm	
	1/3 type	—		Weight		17.1g	
Coating		MgF2 Single Coat (All Surfaces $\lambda = 510\text{nm}$ )					
Angle of View	D	1/2 type	—	1/3 type	—	1/4 type	177.3°
	H	Fisheye	—	—	180.0°	—	151.0°
	V		180.0°	—	151.0°	—	117.6°

1/2 inch

M12 P=0.5

**Dimensions**



ImmerVision Enables Compatible.