

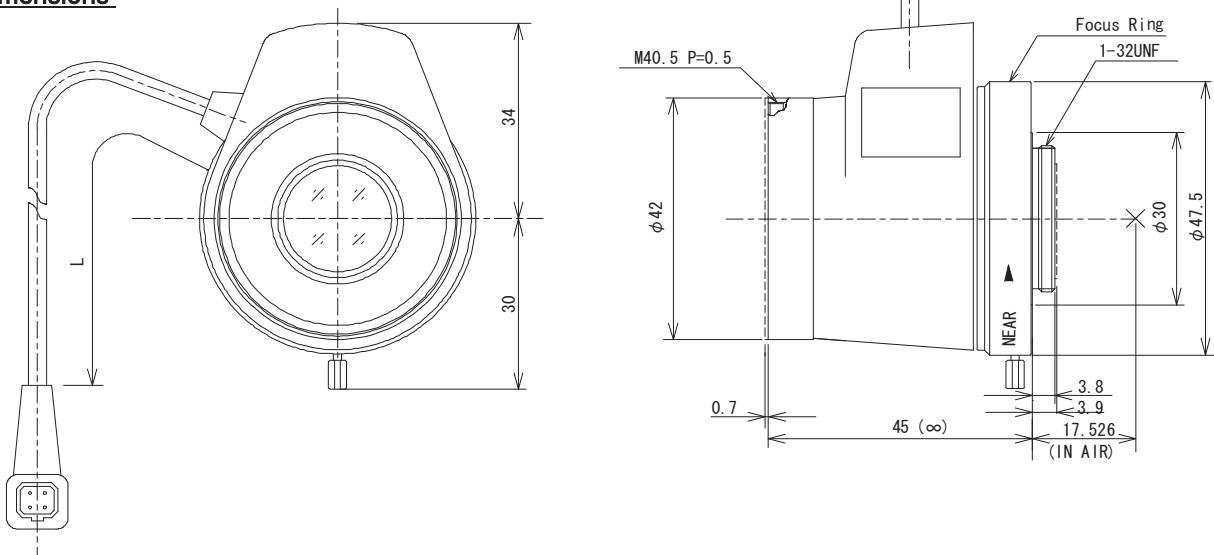
# MG1218FC-MP

f=12mm F1.8

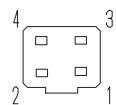
for 2/3 type 5 Megapixel Cameras, Fixed-focal, Auto Iris, DC Drive  
C-Mount

|                       |         |                       |       |                    |       |                        |       |
|-----------------------|---------|-----------------------|-------|--------------------|-------|------------------------|-------|
| Model No.             |         | MG1218FC-MP           |       | Effective          | Front | φ 20.0mm               |       |
| Focal Length          |         | 12mm                  |       | Lens Aperture      | Rear  | φ 13.2mm               |       |
| Max. Aperture Ratio   |         | 1:1.8                 |       | Back Focal Length  |       | 15.0mm                 |       |
| Max. Image Format     |         | 6.6mm x 8.8mm(φ 11mm) |       | Flange Back Length |       | 17.526mm               |       |
| Operation Range       | Iris    | F1.8 - F360C          |       | Mount              |       | C-Mount                |       |
|                       | Focus   | 1m - Inf.             |       | Filter Size        |       | M40.5 × 0.5            |       |
|                       | Zoom    | -                     |       | Dimensions         |       | φ 42mm × 57.8mm × 45mm |       |
| Control               | Iris    | DC Auto Iris          |       | Weight             |       | 105.6 g                |       |
|                       | Focus   | Manual                |       |                    |       |                        |       |
|                       | Zoom    | -                     |       |                    |       |                        |       |
| Angle of View         | D       | 2/3 type              | 48.0° | 1/2 type           | 36.0° | 1/3 type               | 27.4° |
|                       | H       |                       | 39.3° |                    | 29.1° |                        | 22.0° |
|                       | V       |                       | 30.0° |                    | 22.0° |                        | 16.6° |
| Coil                  | Drive   | 190 Ω                 |       |                    |       |                        |       |
|                       | Control | 1000 Ω                |       |                    |       |                        |       |
| Operating Temperature |         | -10°C - +50°C         |       |                    |       |                        |       |

## Dimensions



## Wiring Diagram



| Pin No. | Color  | Control    |
|---------|--------|------------|
| 1       | BROWN  | Control(-) |
| 2       | RED    | Control(+) |
| 3       | YELLOW | Drive (+)  |
| 4       | ORANGE | Drive (-)  |