

# MG1616FC-MP

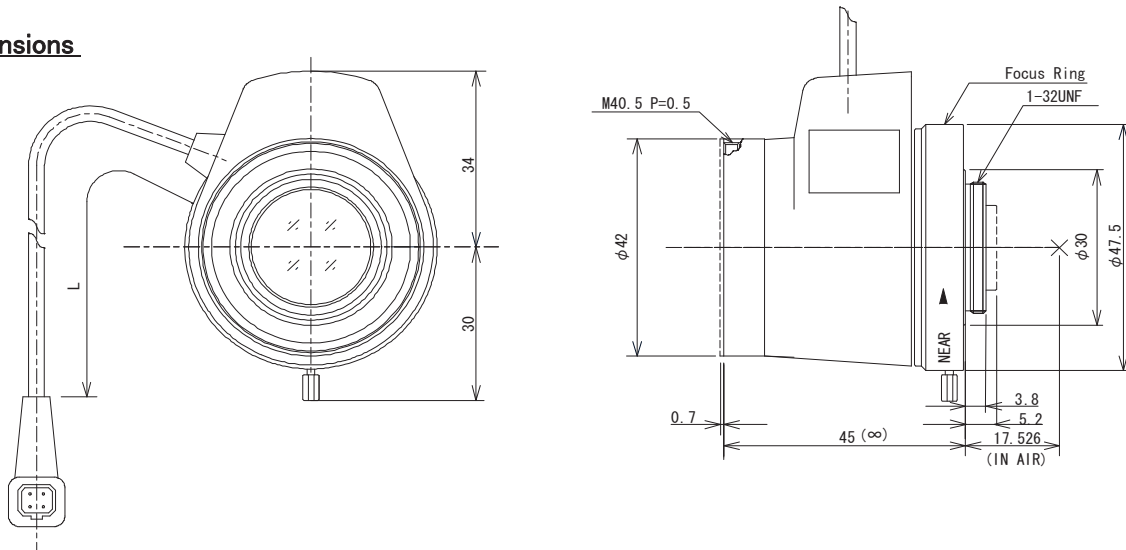
f=16mm F1.6

for 2/3 type 5 Megapixel Cameras, Fixed-focal, Auto Iris, DC Drive

C-Mount

Model No.		MG1616FC-MP		Effective	Front	φ 21.9mm	
Focal Length		16mm		Lens Aperture	Rear	φ 11.0mm	
Max. Aperture Ratio		1:1.6		Back Focal Length		13.3mm	
Max. Image Format		6.6mm x 8.8mm (φ 11mm)		Flange Back Length		17.526mm	
Operation Range	Iris	F1.6 - F360C		Mount		C-Mount	
	Focus	1m - Inf.		Filter Size		M40.5 × 0.5	
	Zoom	-		Dimensions		φ 42mm × 57.8mm × 45mm	
Control	Iris	DC Auto Iris		Weight		112.6 g	
	Focus	Manual					
	Zoom	-					
Angle of View	D	2/3 type	38.0°	1/2 type	28.1°	1/3 type	21.3°
	H		30.8°		22.7°		17.1°
	V		23.4°		17.1°		12.9°
Coil	Drive	190Ω					
	Control	1000Ω					
Operating Temperature		-10°C - +50°C					

**Dimensions**



**Wiring Diagram**

