

# PCPW023

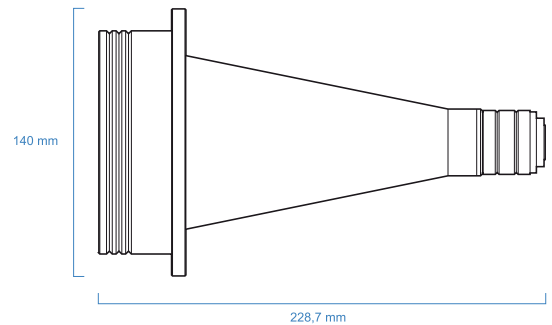
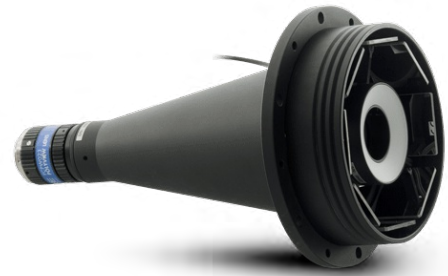
Polyview lens for 2/3" detectors

## SPECIFICATIONS

|  |      |             |
|--|------|-------------|
| Detector type  | 2/3" |             |
| <b>Max. object diameter for SIDE inspection</b>      |      |             |
| with object height 20 mm                             | (mm) | 30          |
| with object height 5 mm                              | (mm) | 50          |
| <b>Max object diameter for SIDE + TOP inspection</b> |      |             |
| with object height 10 mm                             | (mm) | 30          |
| <b>Optical specifications</b>                        |      |             |
| Wavelength range                                     | (nm) | 450 ... 650 |
| Working distance                                     | (mm) | 20 ... 40   |
| CTF @ 50 lp/(mm)                                     | (%)  | > 40        |
| F/#  |      | 8-16        |
| <b>Mechanical specifications</b>                     |      |             |
| Diameter   | (mm) | 140         |
| Length   | (mm) | 224         |
| Mass   | (g)  | 990         |
| Mount  |      | C           |

## COMPATIBLE PRODUCTS

|            |   |
|------------|---|
| LTRN050W45 | Ring LED illuminator, inner diameter 15.2 mm, oblique type, white |
| LTRN245W45 | Ring LED illuminator, inner diameter 117 mm, oblique type, white  |
| OIPW023    | Replacement ocular lens for PCPW023 optics                        |



O-OPEN101-03/2015 · Subject to technical change without notice. No liability is accepted for errors which may be contained in this document.