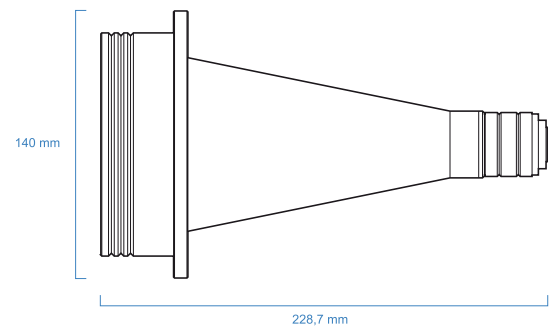


# PCPW012

Polyview lens for 1/2" detectors

## SPECIFICATIONS

Detector type	1/2"	
Max. object diameter for SIDE inspection		
with object height 20 mm	(mm)	30
with object height 5 mm	(mm)	50
Max object diameter for SIDE + TOP inspection		
with object height 10 mm	(mm)	30
Optical specifications		
Wavelength range	(nm)	450 ... 650
Working distance	(mm)	20 ... 40
CTF @ 50 lp/(mm)	(%)	> 50
F/#		6-16
Mechanical specifications		
Diameter	(mm)	140
Length	(mm)	224
Mass	(g)	990
Mount		C



## COMPATIBLE PRODUCTS

LTRN050W45	Ring LED illuminator, inner diameter 15.2 mm, oblique type, white
LTRN245W45	Ring LED illuminator, inner diameter 117 mm, oblique type, white
OIPW012	Replacement ocular lens for PCPW012 optics



O-OPEN99-03/2015 · Subject to technical change without notice. No liability is accepted for errors which may be contained in this document.