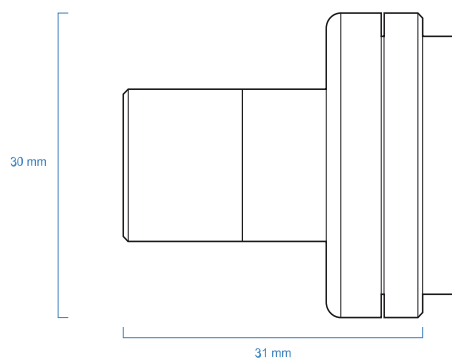


MC033X

Macro lens for 2/3" detectors, magnification 0.33 x, C-mount

SPECIFICATIONS

Magnification		0.333
Object field of view		
with 1/3" detector (4.8 x 3.6 mm)	(mm x mm)	14.4 x 10.8
with 1/2.5" detector (5.70 x 4.28 mm)	(mm x mm)	17.1 x 12.8
with 1/2" detector (6.4 x 4.8 mm)	(mm x mm)	19.2 x 14.4
with 1/1.8" detector (7.13 x 5.37 mm)	(mm x mm)	21.4 x 16.1
with 2/3" - 5 MP detector (8.45 x 7.07 mm)	(mm x mm)	25.4 x 21.2
Optical specifications		
Working distance	(mm)	102
Distortion	(%)	< 0.05
F/# (wF/#) 1		5.3 (7)
Field depth	(mm)	3.7
Mechanical specifications		
Length 2	(mm)	31.0
Diameter	(mm)	15.0
Height	(mm)	30
Mass	(g)	63
Mount		C



NOTES

1. F/# = F-number, wF/# = working F-number, the real F-number of a lens when used as a macro.
2. Measured from the front end of the mechanics to the camera flange.



O-OPENTIS-03/2015 · Subject to technical change without notice. No liability is accepted for errors which may be contained in this document.