

PCCD013

Wide lateral viewing angle catadioptric lens, for 1/3" detectors

SPECIFICATIONS

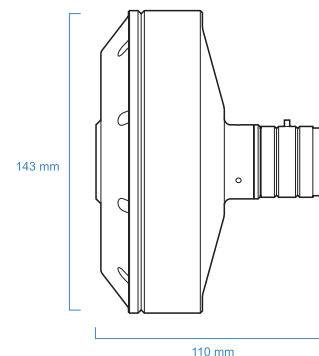
Detector type		1/3"
Field of view (diameter x height)		
Minimum	(mm x mm)	7.5 x 5
Typical	(mm x mm)	15 x 10
Maximum	(mm x mm)	25 x 17
Extended with PCCDLFAT	(mm x mm)	35 x 26
Optical specifications		
Wavelength range	(nm)	450 .. 650
Working distance	(mm)	28 .. 53
Working distance with PCCDLFAT	(mm)	5 .. 11
CTF @ 50 lp/mm	(%)	> 35
F/#		6-24
Mechanical specifications		
Diameter	(mm)	143
Length	(mm)	110.5
Mass	(g)	980
Mount		C

NOTES

1. PCCDLFAT is an accessory designed to extend the FOV of PCCD optics and inspect objects with even larger diameters (beyond 25 mm)

COMPATIBLE PRODUCTS

LTRN245W35	Ring LED illuminator, inner diameter 148 mm, oblique type, white
CMHOPCCD	Clamping mechanics for PCCD 0xx lenses
PCCDLFAT	Interchangeable attachment for extra-wide PCCD field of view
OICD013	Replacement ocular lens for PCCD013 optics



O-OPEN91-03/2015 - Subject to technical change without notice. No liability is accepted for errors which may be contained in this document.