

TAMRON

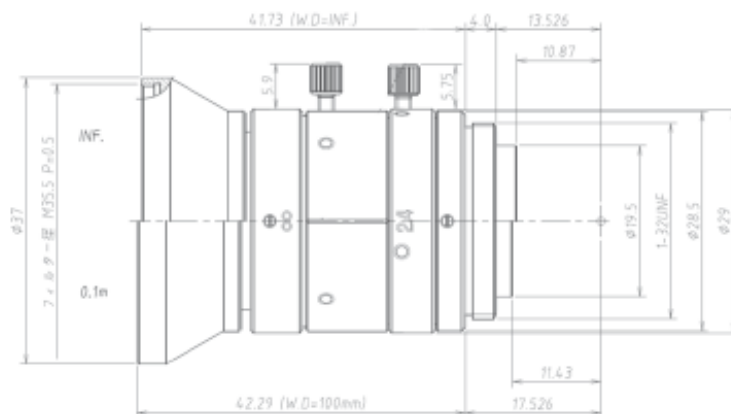
Compact 5MP Lens

M112FM08

- 3.45µm Pixel Pitch
- Image Size 1/1.2"
- Ultra Compact Body



P/N		M112FM08	
Imager size		1/1.2"	
Mount		C-Mount	
Focal length		8mm	
Aperture		F/2.4 ~ F/16	
Angle of View (horizontal x vertical)	1/1.2"	(4:3)	70.3° x 54.9°
		(16:9)	75.3° x 45.6°
	2/3"	(4:3)	59.5° x 45.8°
		(16:9)	64.0° x 37.8°
Focus range		100mm - ∞ (recommended shooting distance 0,3m)	
Operation	Focus	Manual w/lock	
	Iris	Manual w/lock	
Filter size		M35.5 P=0.5mm	
Exit Pupil Position		-35.52mm	
TV Distortion		-1.47%	
Optical Overall Length		41.7mm - 42.3mm	
Maximum Diameter		37.0mm	
Weight		86g	
Operating Temperature		-20°C ~ +60°C	



OPT-TAMM40-07/2017 · Subject to technical change without notice. No liability is accepted for errors which may be contained in this document.