

# TAMRON

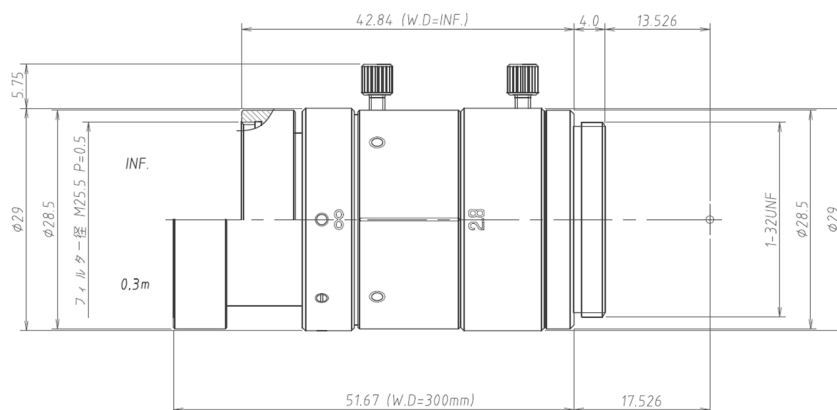
## Compact 5MP Lens

### M112FM50

- 3.45µm Pixel Pitch
- Image Size 1/1.2"
- Ultra Compact Body



P/N		M112FM50	
Imager size		1/1.2"	
Mount		C-Mount	
Focal length		50mm	
Aperture		F/2.8 ~ F/16	
Angle of View (horizontal x vertical)	1/1.2"	(4:3)	12.2° x 9.2°
		(16:9)	13.2° x 7.5°
	2/3"	(4:3)	10.0° x 7.5°
		(16:9)	10.9° x 6.16°
Focus range		300mm - ∞ (recommended shooting distance 0,3m)	
Operation	Focus	Manual w/lock	
	Iris	Manual w/lock	
Filter size		M27 P=0.5mm	
Exit Pupil Position		-36.21mm	
TV Distortion		0.08% (distance 0.5m)	
Optical Overall Length		42.8mm - 51.7mm	
Maximum Diameter		29.0mm	
Weight		70g	
Operating Temperature		-20°C ~ +60°C	



OPT-TAM42-07/2017 - Subject to technical change without notice. No liability is accepted for errors which may be contained in this document.