

TAMRON

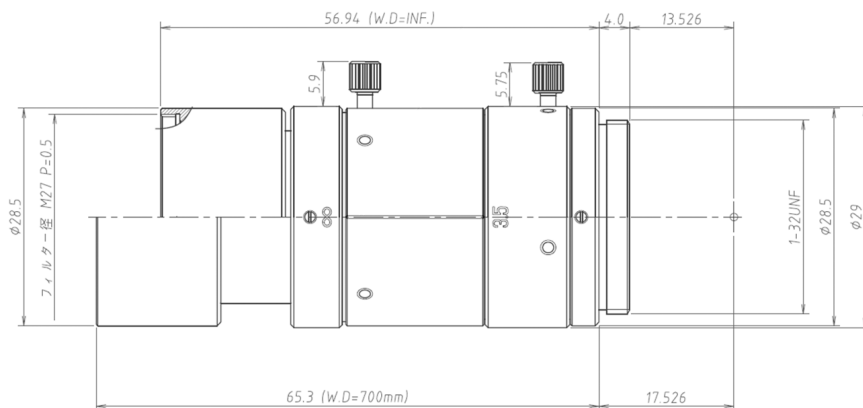
Compact 5MP Lens

M112FM75

- 3.45µm Pixel Pitch
- Image Size 1/1.2"
- Ultra Compact Body



P/N		M112FM75	
Imager size		1/1.2"	
Mount		C-Mount	
Focal length		75mm	
Aperture		F/3.5 ~ F/16	
Angle of View (horizontal x vertical)	1/1.2"	(4:3)	8.1° x 6.1°
		(16:9)	8.9° x 5.0°
	2/3"	(4:3)	6.7° x 5.0°
		(16:9)	7.3° x 4.1°
Focus range		700mm - ∞	
Operation	Focus	Manual w/lock	
	Iris	Manual w/lock	
Filter size		M27 P=0.5mm	
Exit Pupil Position		-35.5mm	
TV Distortion		0.03% (distance 0.7m)	
Optical Overall Length		56.9mm - 65.3mm	
Maximum Diameter		28.5mm	
Weight		70g	
Operating Temperature		-20°C ~ +60°C	



OPT-TAM43-07/2017 - Subject to technical change without notice. No liability is accepted for errors which may be contained in this document.