

trevista®

Data Sheet

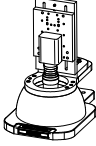
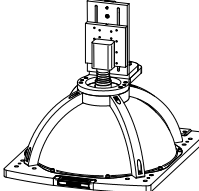
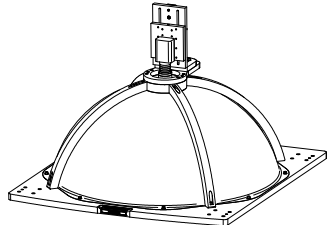
Version 6

13 May 2016

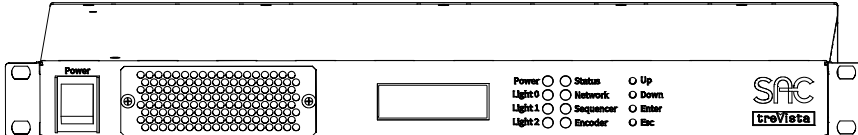
Contents

- 1 Technical Data 3
- 2 Dimensional Drawings 4
- 3 Camera Mount..... 7

1 Technical Data

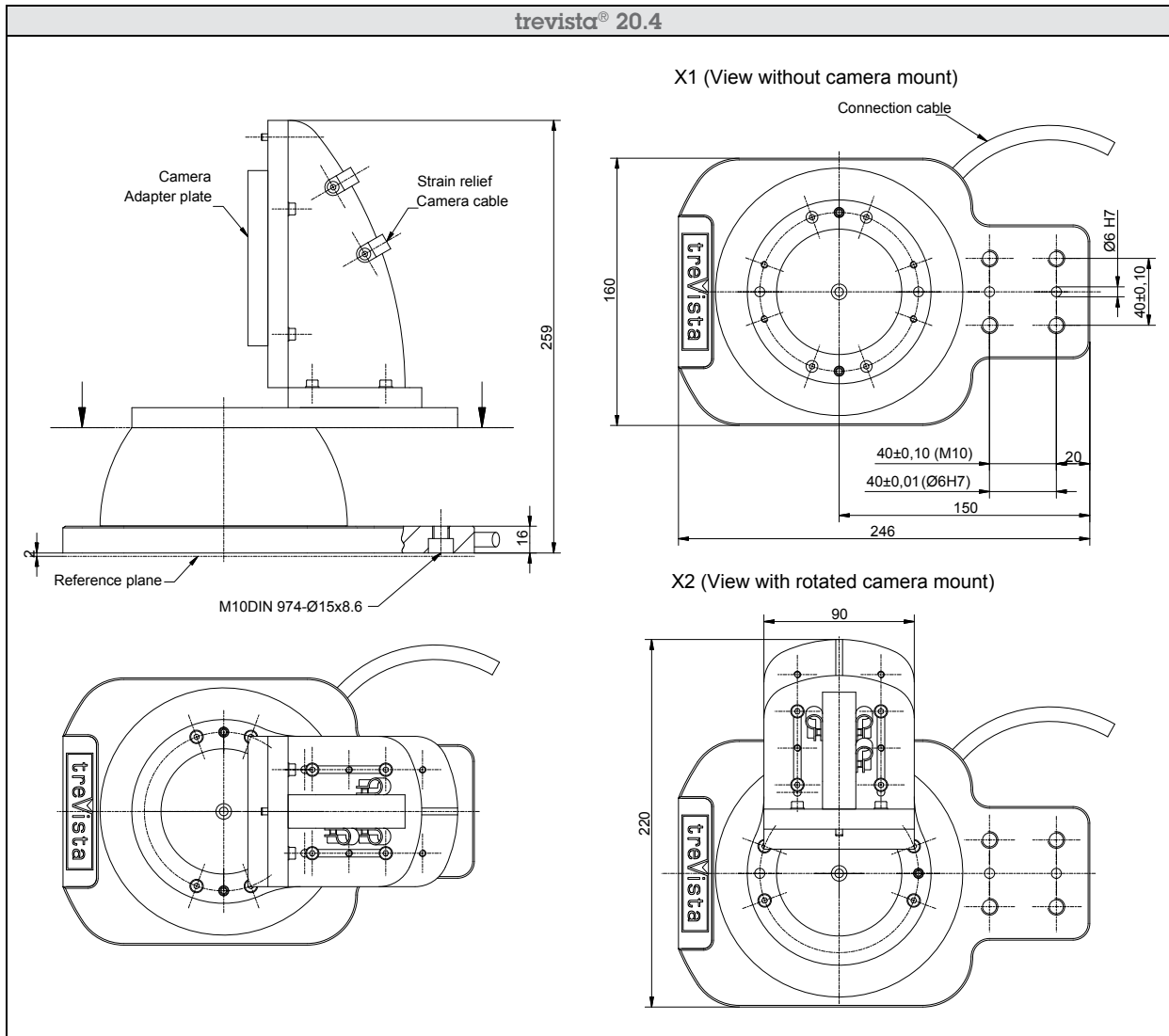
	trevista® Dome 20.4	trevista® Dome 50.4	trevista® Dome 200.4
Product image			
Working distance lens <-> test plane	typ. 72 mm	typ. 158 mm	typ. 300 mm
Working distance bottom edge <-> test plane	typ. 2 mm	typ. 10 mm	typ. 47 mm
Ø Measuring field / scan width	up to 30 mm * (application-specific)	up to 75 mm * (application-specific)	up to 200 mm * (application-specific)
Dimensions	246 x 160 x typ. 259 (WxDxH in mm)	388 x 330 x typ. 348 (WxDxH in mm)	669 x 610 x typ. 453 (WxDxH in mm)
Weight	4.1 kg	6.9 kg	16.2 kg
(without cable)			
Material	aluminum	aluminum / plastic	aluminum / plastic

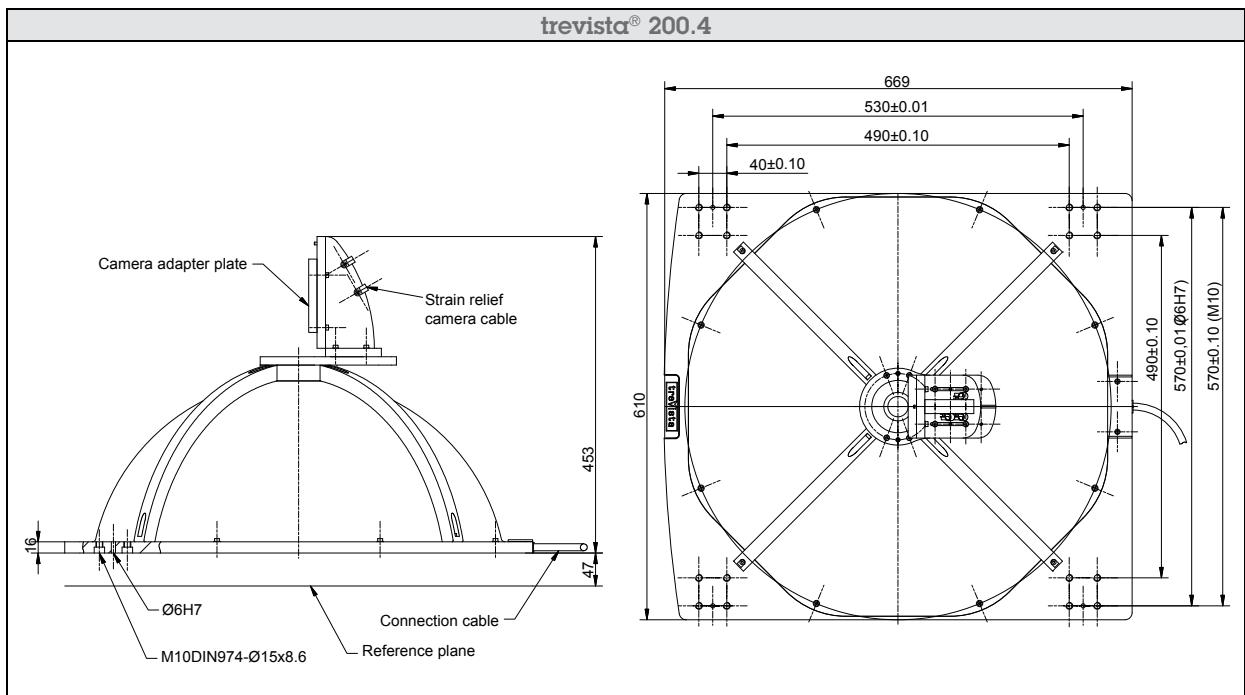
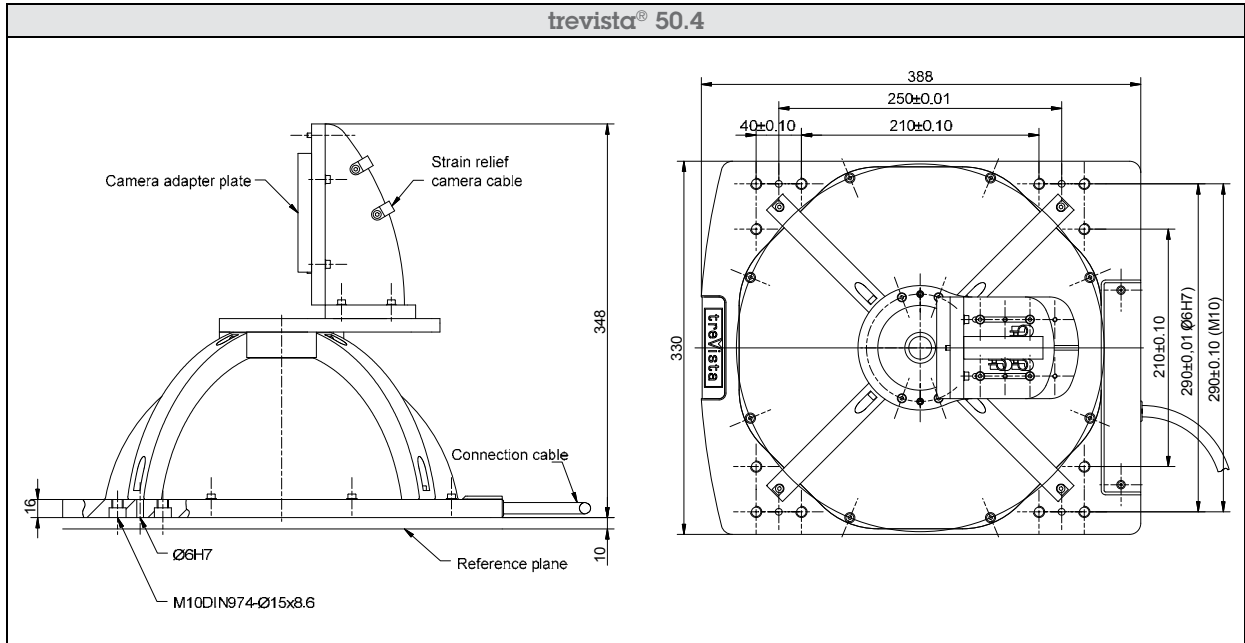
* = depending on the camera used, the optics, and the surface properties of the test part.

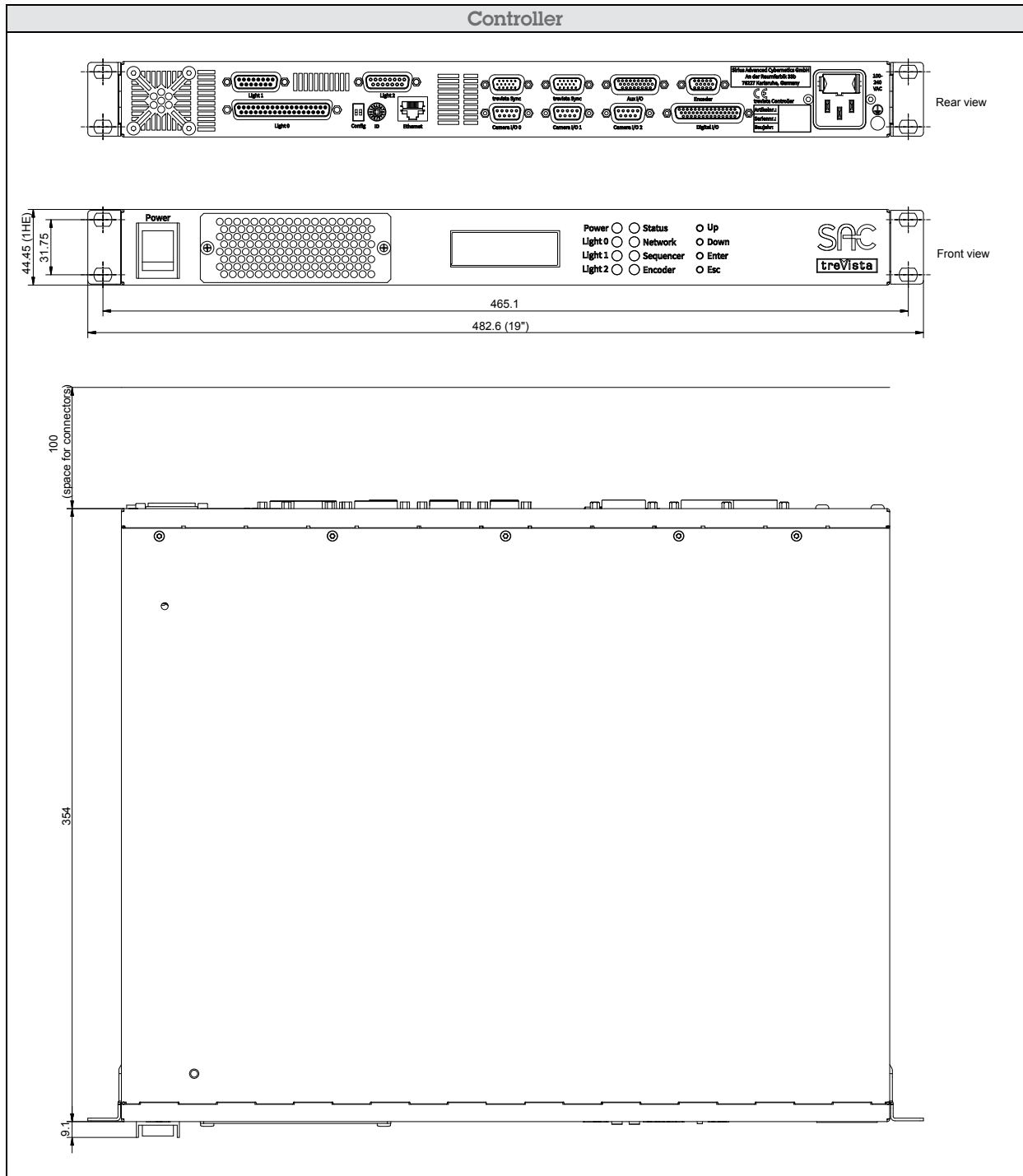
	trevista® Controller
Product image	
Dimensions	484 x 370 x 44 (WxDxH in mm)
Weight	6.4 kg
Power supply	100-240 V AC +/-10%, 50-60 Hz, max. 5.5 A (at 100 V)

	Ambient Conditions
Ambient temperature	+5 °C ... +40 °C
Relative humidity	40 ... 70 %
Altitude	max. 2000 m
Pollution degree	2
Overvoltage category	2

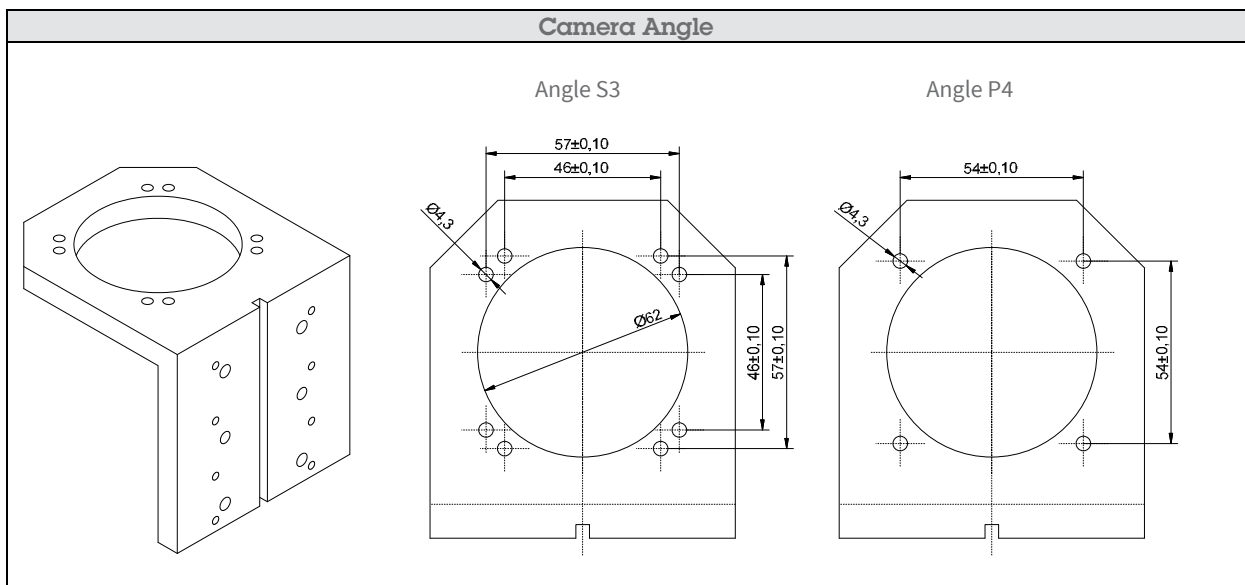
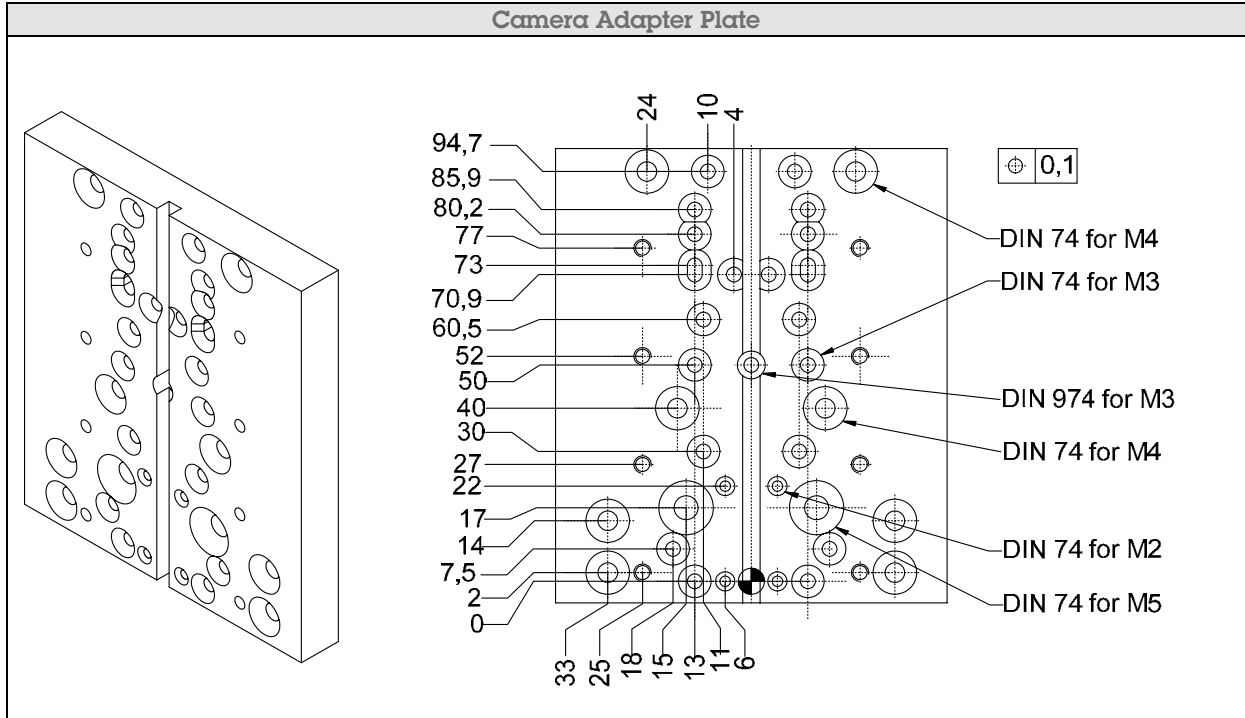
2 Dimensional Drawings

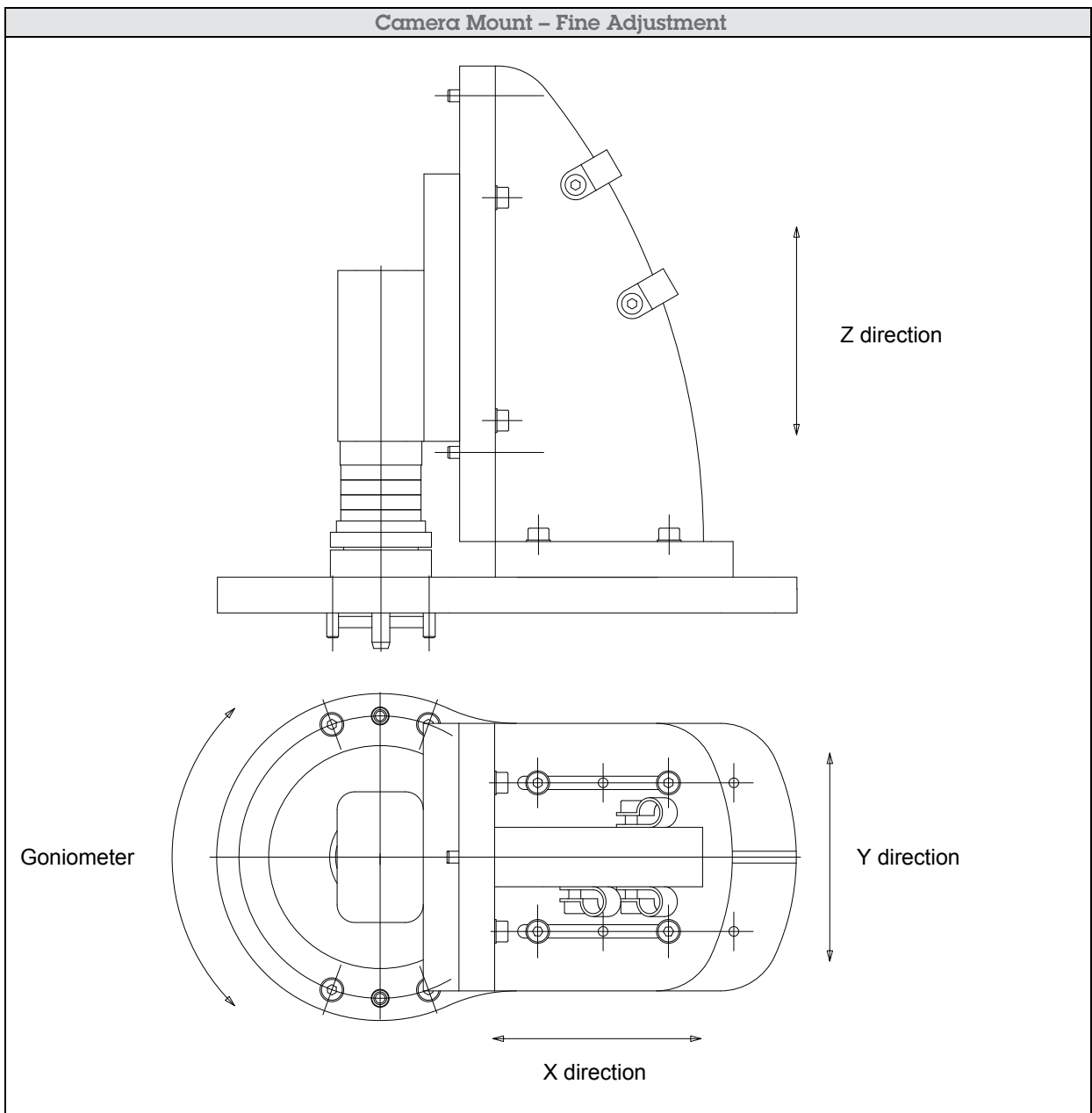
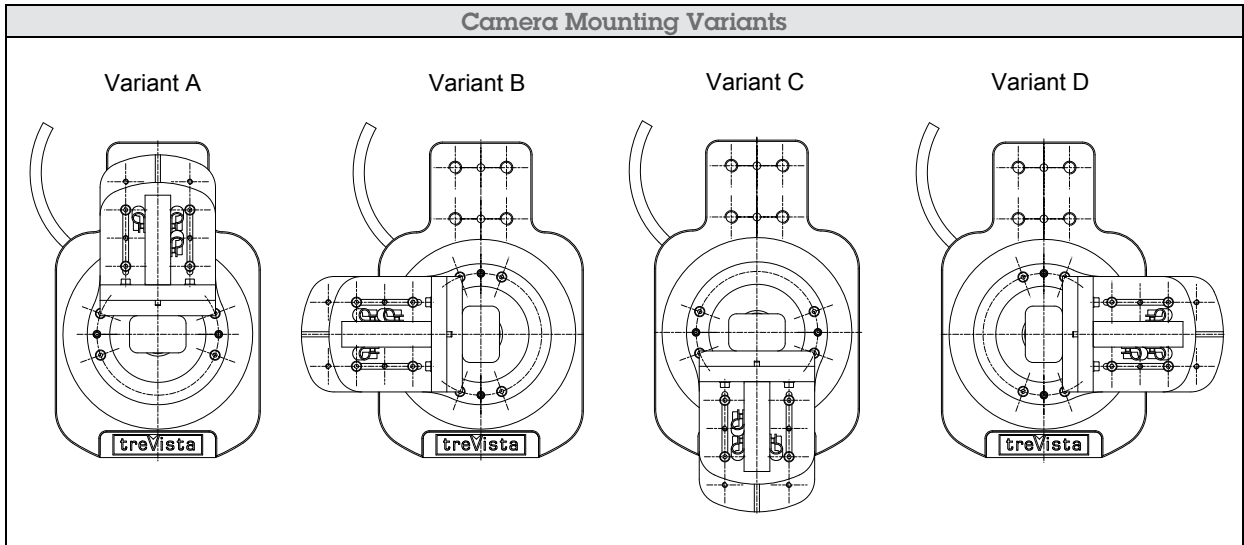




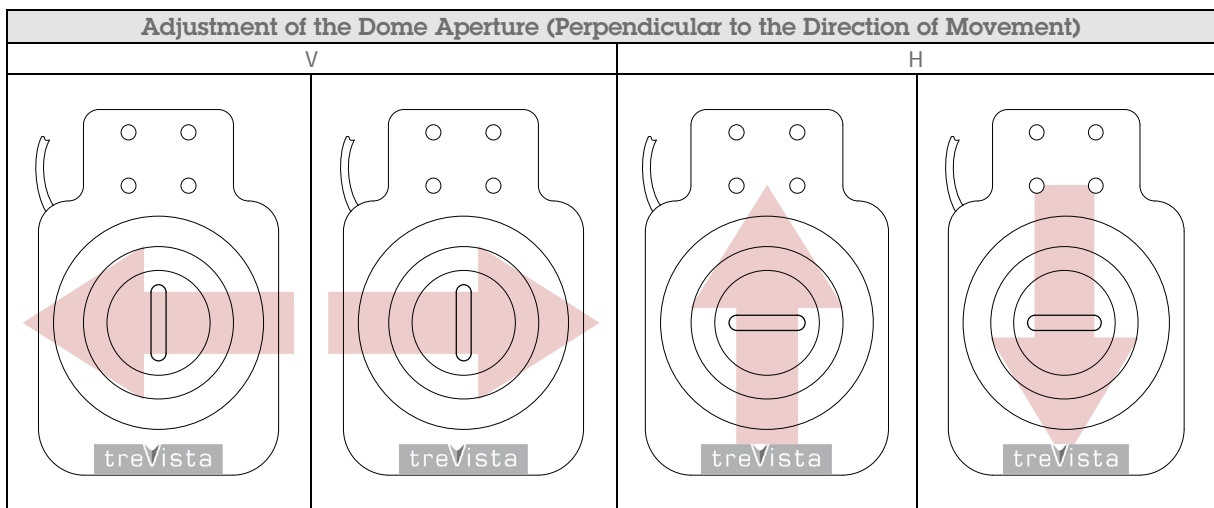
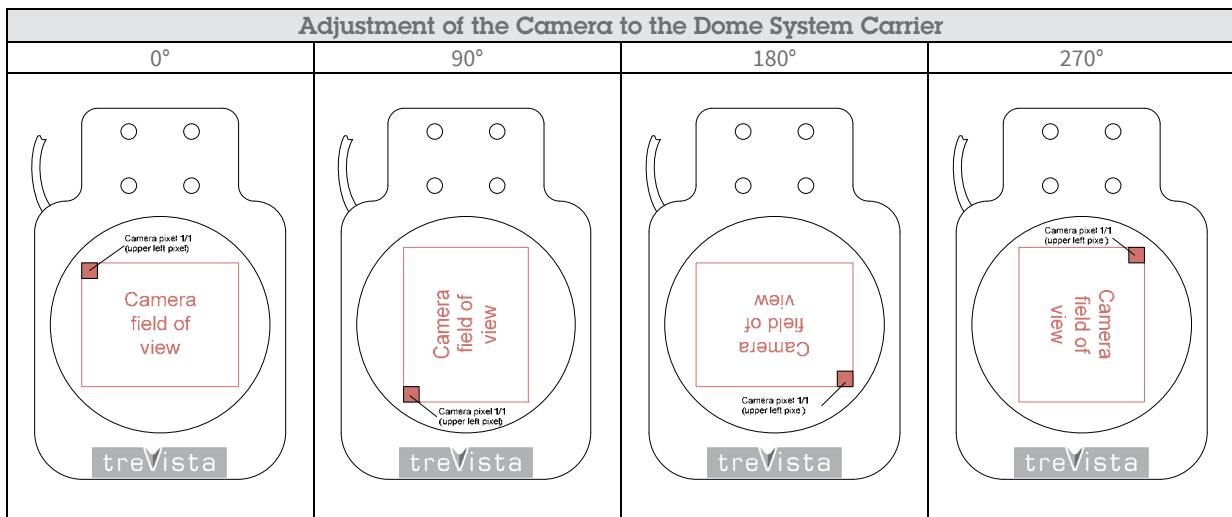
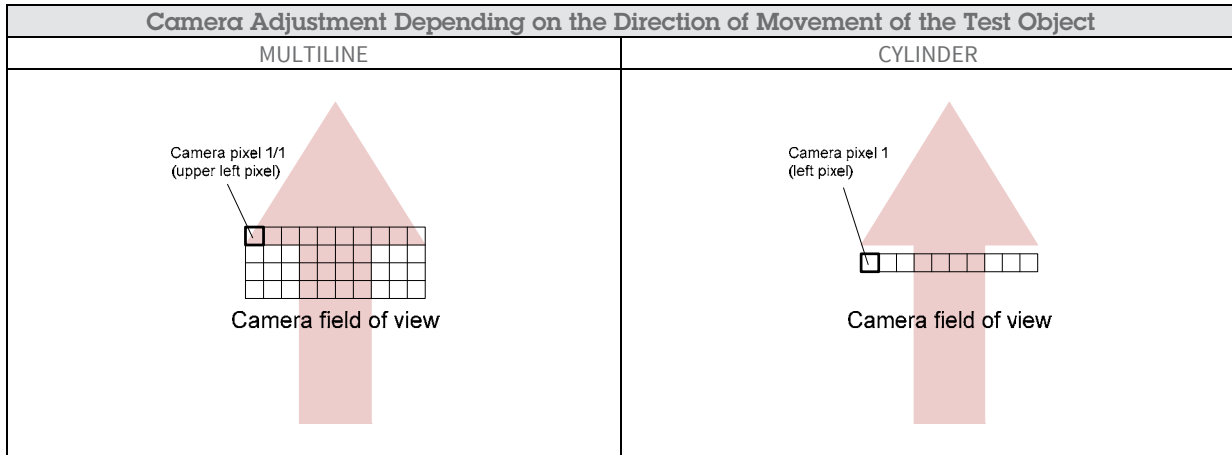


3 Camera Mount





The camera is adjusted according to the direction of movement of the test object.
 The sensor line is oriented perpendicular to the direction of movement, where pixel 1 (edge pixel at the left edge of the image) must be on the left in the direction of movement.



SY-SAC5-06/2016 · Subject to technical change without notice. No liability is accepted for errors which may be contained in this document.