



TREVISTA® FLAT

trevista® FLAT

Data Sheet

Version 1.0
22. November 2019



TREVISTA DATA SHEET

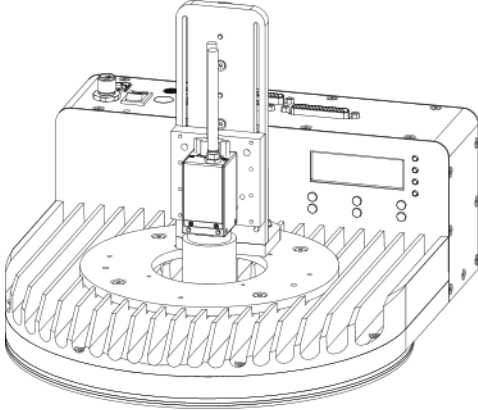
SAC

STEMMER®
IMAGING

Contents

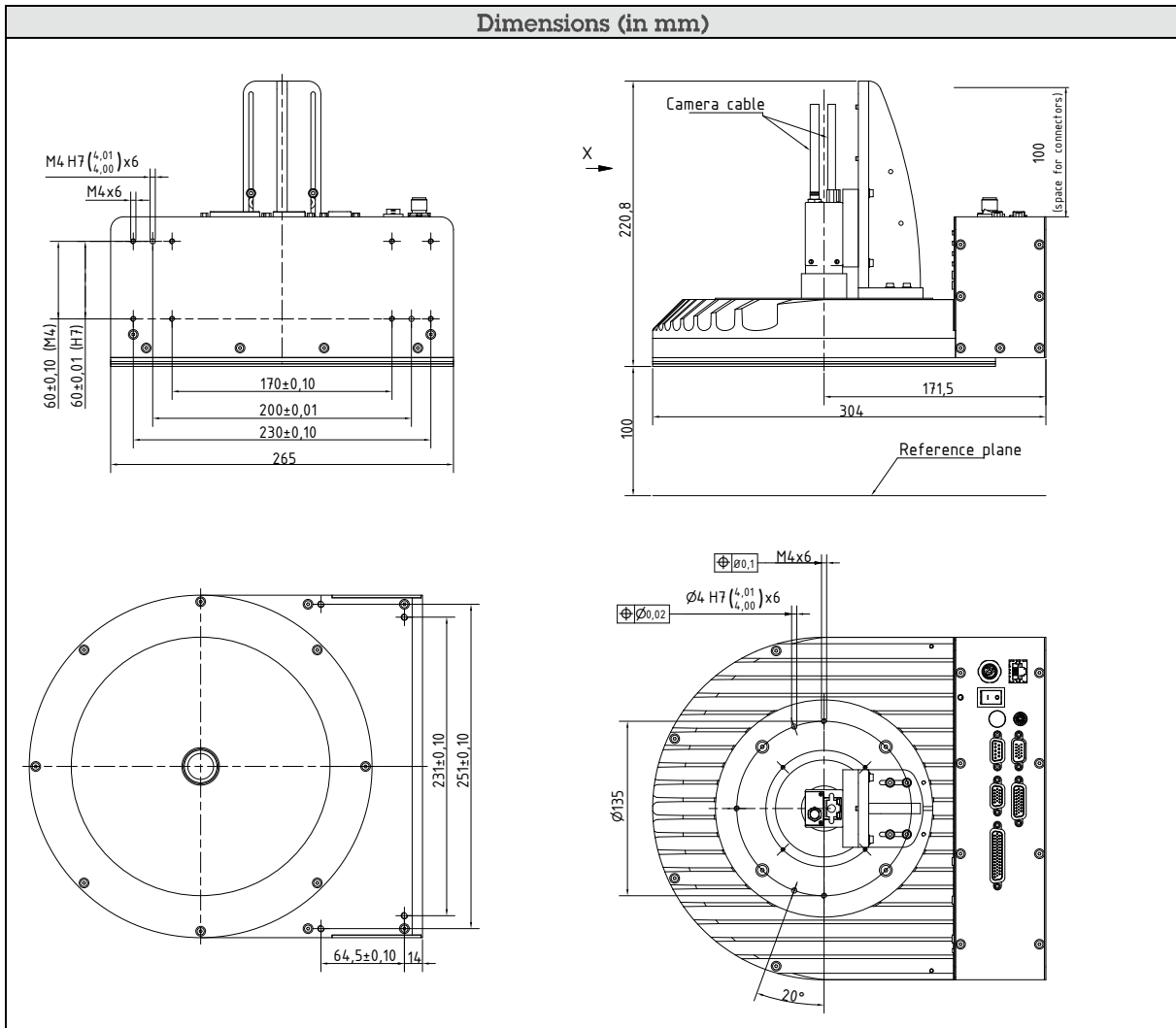
1 Technical Data	3
2 Dimensional Drawings	4
3 Camera Mount	5
4 Ordering Information	6
4.1 Illumination Unit.....	6
4.2 Cables.....	6
4.3 Spare Parts.....	6

1 Technical Data

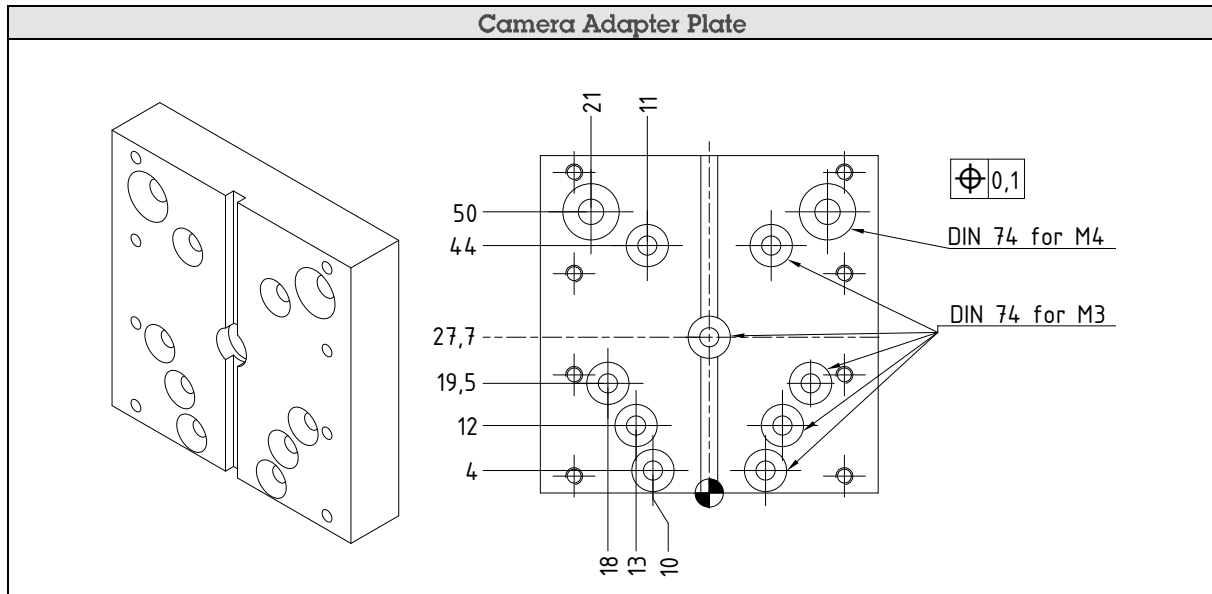
Product Image	
	
Working distance lens <-> inspection plane	Typ. 127 mm (5.00 in)
Working distance bottom edge <-> inspection plane	Typ. 100 mm (3.94 in)
Ø Measuring field / scan width*	40 mm (1.47 in) [application-specific]
Dimensions (without cables; WxDxH)	265 x 304 x 221 mm (10.40 x 12.00 x 8.70 in)
Weight (without cables; with camera and lens)	5.8 kg (12.79 lb)
Material	Aluminum / plastic
Power supply	100-240 V AC +/- 10 %, 50-60 Hz, 456 VA. Operate only with the supplied 48V power supply unit (MEAN WELL SDR-480-48).
Ambient conditions	Temperature: +5 °C ... +40 °C (41 °F ... 104 °F) Relative Humidity: 40 ... 70 % Altitude: max. 2000 m (6561.68 ft) above sea level Degree of contamination: 2 Overvoltage category: 2

* = depending on the camera, the optics, and the surface properties of the inspection object.

2 Dimensional Drawings



3 Camera Mount



Compatible cameras:

- Baumer SXG/VCXG
- Basler ace
- Dalsa Linea/Piranha (2k and 4k)

4 Ordering Information

4.1 Illumination Unit

Product Variant		
SURFACE	CYLINDER	MULTILINE

Connection Cable: Power Supply <-> Illumination Unit	
5 m	10 m

4.2 Cables

Camera I/O				
Name	Suitable for	Power Supply	Trigger I/O	Length
Dalsa	DALSA Piranha + Piranha 2 + Piranha 3 + Piranha 4 + Piranha HS + Spyder 3 + Spyder 3 SG + Linea CL	✓		0.4 m
Baumer 1	BAUMER SXG + VCXG		✓	0.4 m

Aux I/O		
Name	Suitable for	Length
Silicon Software Framegrabber	SILICON SOFTWARE TTL Trigger 4	5 m / 10 m

Digital I/O		
Name	Suitable for	Length
Open End	To be assembled by the customer	10 m

Encoder		
Name	Suitable for	Length
TR	TR encoder	5 m / 10 m

Sync		
Name	Suitable for	Length
Sync	Needed for the sequencer synchronization of multiple controllers (e.g. when several controllers are used at the same place/application)	2 m

4.3 Spare Parts

Article
Microfuse 5 x 20 mm T 10A H 250 V

