



GoMax®

SMART VISION ACCELERATOR

- DATA PROCESSING ACCELERATION WITH NO PC OR CONTROLLER
- PLUG AND PLAY FUNCTIONALITY, EASY INTEGRATION
- SIMULTANEOUSLY ACCELERATE MULTIPLE GOCATOR SMART SENSORS
- ADD MULTIPLE GOMAX UNITS AS NEEDED

GoMax® is a cost-effective hardware solution that allows you to accelerate any Gocator® sensor in order to meet inline production speeds—without the need for a PC. With GoMax's plug and play functionality, you can quickly and easily add massive data processing power to your Gocator® sensor or multi-sensor network, achieving faster cycle times and enhancing overall inspection performance.

PLUG. PLAY. ACCELERATE.

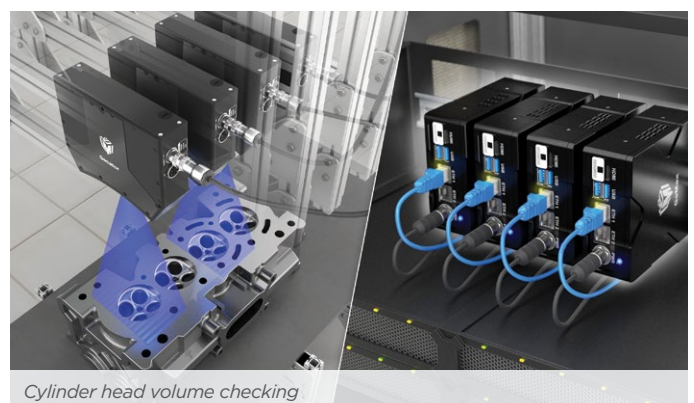
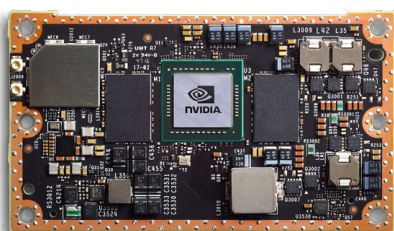
The simple GoMax hardware solution connects to Gocator®, allowing you to speed up any Gocator 3D smart sensor model with ease.

MASSIVE DATA PROCESSING POWER WITHOUT A PC

GoMax accelerates Gocator 3D sensors by taking over a portion of the sensor's data processing, and PLC/robot communication—eliminating the need for a PC.

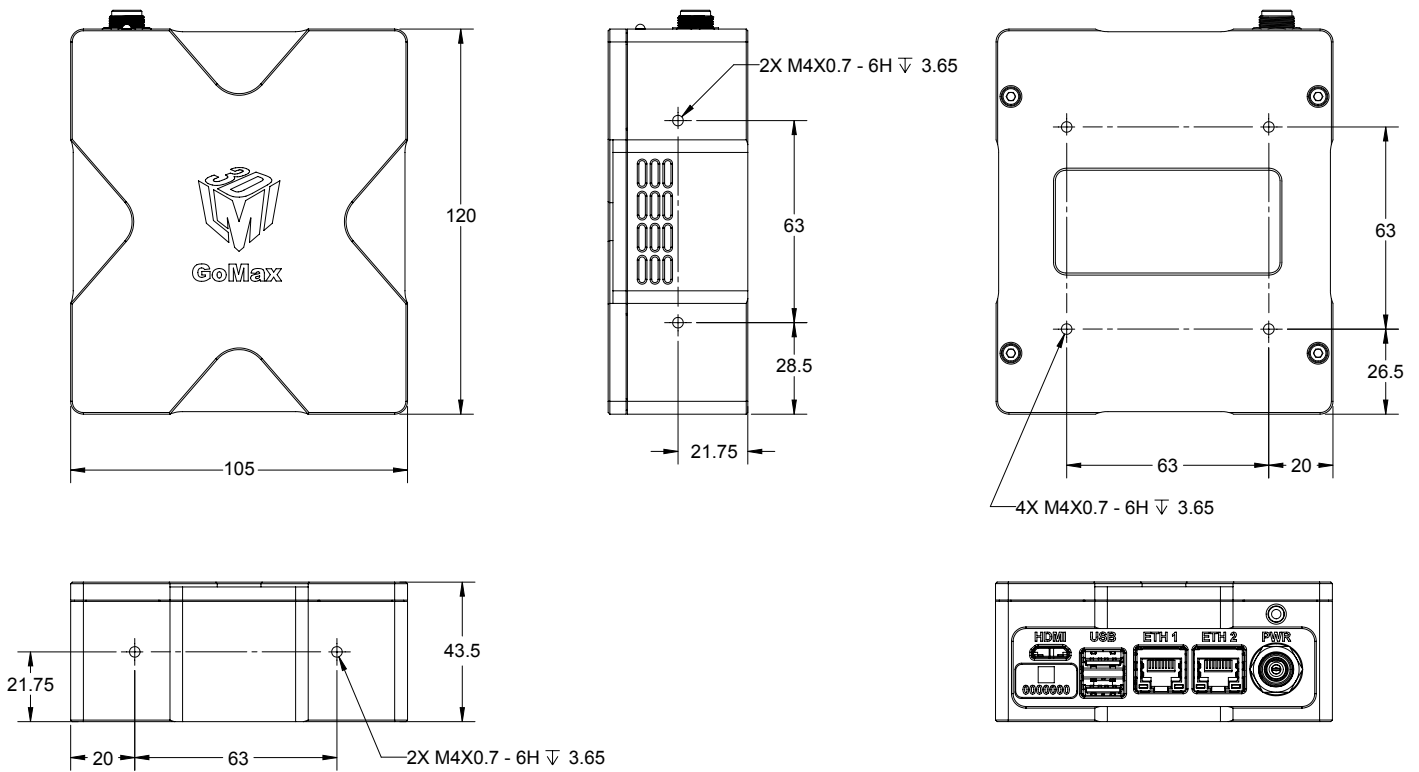
EMBEDDED NVIDIA JETSON TX2

GoMax provides massive compute power with its embedded NVIDIA Jetson TX2's 256-core GPU and 64-bit quad-core ARM processor—all in a compact, ruggedized case.



GOMAX SPECIFICATIONS

NVIDIA Module	Jetson TX2
CPU	64-bit Quad ARM A57 @ 2 GHz plus 64-bit Dual Denver 2 @ 2 GHz
GPU	NVIDIA Pascal, 256 CUDA cores
Memory	8 GB 128-bit LPDDR4
IO ports	1x USB3, 1x HDMI, 2x GigE, 1x USB2
Dimensions (mm)	120x105x43.5
Weight (kg)	0.7
Operating Temperature	0 - 45 degrees Celsius



VSX-LM120-11/2018 - Subject to technical change without notice. No liability is accepted for errors which may be contained in this document.



STEMMER[®]
IMAGING