

Pantera 1M30

Area Scan Cameras



Key Features

- 12 bit digitization
- Exposure control and antiblooming
- 100% fill factor
- High sensitivity with low dark current
- Single tap readout
- Base Camera Link

Programmability

- Selectable 8, 10, or 12 bit output
- Selectable binning
- Five selectable exposure modes
- Video mode and test pattern selection

Typical Applications

- X-rays: medical and non-destructive test
- Medical imaging
- Microscopy
- Metrology

Overview

30 frames per second of full 1k by 1k resolution and 12 bit digitization gives you the speed to succeed in the most demanding applications.

The Pantera TF 1M30 camera provides high-sensitivity 12 bit images with 1k x 1k spatial resolution at up to 30 frames per second. The Pantera TF 1M30 is a frame transfer CCD camera using a TrueFrame™ progressive scan CCD to simultaneously achieve outstanding resolution and gray scale characteristics. A 12 μm square pixel format and 100% fill factor provide superior image quality even at low light levels.

12 bit performance provides up to 4096 distinct gray levels—perfect for applications with large interscene light variations. The low-noise, digitized video signal also makes the camera an excellent choice where low contrast images must be captured in challenging applications.

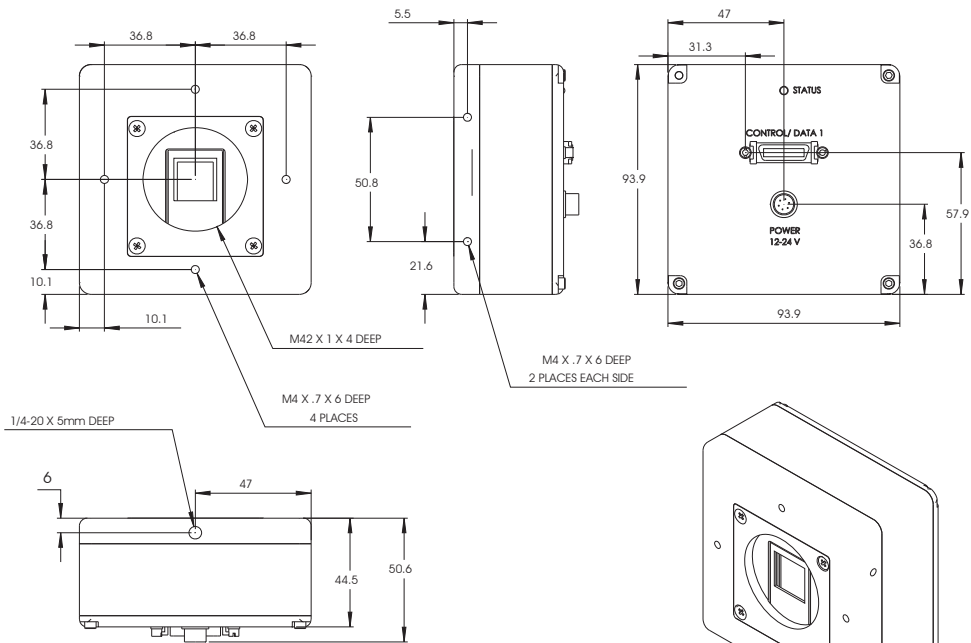
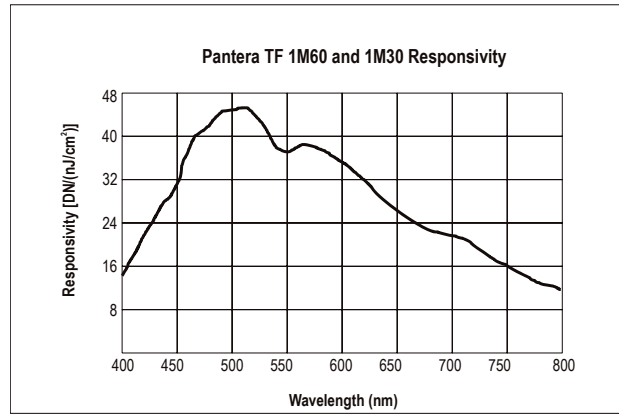
Specifications

Resolution	1024 x 1024
Data Rate	1 x 40 MHz
Max. Line/Frame Rate	30 fps
Pixel Size	12 μm
Data Format	8, 10, 12 bit
Output	Base Camera Link
Lens Mount	M42 x 1, C, F mount
Responsivity	40 DN/(nJ/cm ²) @ 540 nm, 1x gain
Dynamic Range	66 dB
Nominal Gain Range	1x to 4x
Size	94 mm x 94 mm x 45 mm
Mass	850 g
Operating Temp	0 °C to 40 °C
Power Supply	12 V to 15 V
Power Dissipation	<17 W
Regulatory Compliance	CE
Control	MDR26 Camera Link
Data	Shared with Control
Power	Hirose HR10 6 pin
Example Part Number	DS-1A-01M30

Pantera 1M30

Area Scan Cameras

This progressive scan camera uses TrueFrame™ Frame Transfer architecture—it has an on-chip shielded storage region and requires no shutter.



DIMENSIONS ARE IN mm

+/- .3 TOLERANCE ON ALL DIMENSIONS UNLESS OTHERWISE INDICATED

K-TEDA51-10/2012 - Subject to technical change without notice. No liability is accepted for errors which may be contained in this document.