



## Piranha4 2K RGB + Mono

High Speed Quadlinear CMOS Cameras



## 70 kHz line rates quadlinear color, superior image quality, and easy to use.

The new Piranha4 quadlinear color cameras provide industry leading speeds to meet future requirements of higher throughput in demanding color imaging applications.

Based on Teledyne DALSA's unique CMOS linescan technology, the Piranha4 color family delivers superb color fidelity, responsive pixels, all in a compact footprint and with an easy to use interface. New features include multiple regions of interest for data reduction and regional calibration, sub-pixel line spatial correction, factory calibration to white LED, white balance and colour calibration tools.

### Key Features

- High speed: up to 70 kHz line rates
- Three native colors (RGB) plus monochrome per pixel
- Bi-directional
- Compact camera body
- Sub-pixel spatial correction
- Horizontal Parallax Correction

### Programmability

- Multiple Regions of Interest for calibration and data reduction
- 8, 10, or 12 bit output
- Flat field and lens shading correction
- 8 programmable coefficient sets
- GenICam or ASCII compliant interfacing

### Typical Applications

- 100% print inspection (pharmaceuticals, bank note)
- Electronics inspection
- Materials grading systems
- Web inspection
- High performance color sorting systems
- Food inspection
- General purpose machine vision

### Specifications

Resolution	2048 x 4 pixels
Line Rate	Up to 70 kHz
Pixel Size	14.08 $\mu\text{m}$ x 14.08 $\mu\text{m}$
Data Format	8, 10, or 12 bits, selectable
Output	Base, Medium, Full and Deca Camera Link
Lens Mount	M42 x 1 F-mount adapter available
Responsivity	See graph
Dynamic Range	> 60 dB
Nominal Gain Range	1x to 10x
Size	62 mm x 62 mm x 48 mm
Mass	< 340 g
Operating Temp	0 °C to 65 °C (front plate)
Power	Hirose 6-pin male
Power Dissipation	8 W
Control & Data	SDR-26 mini Camera Link
Regulatory Compliance	CE, FCC, and RoHS

### Piranha4 Trilinear Model Comparison

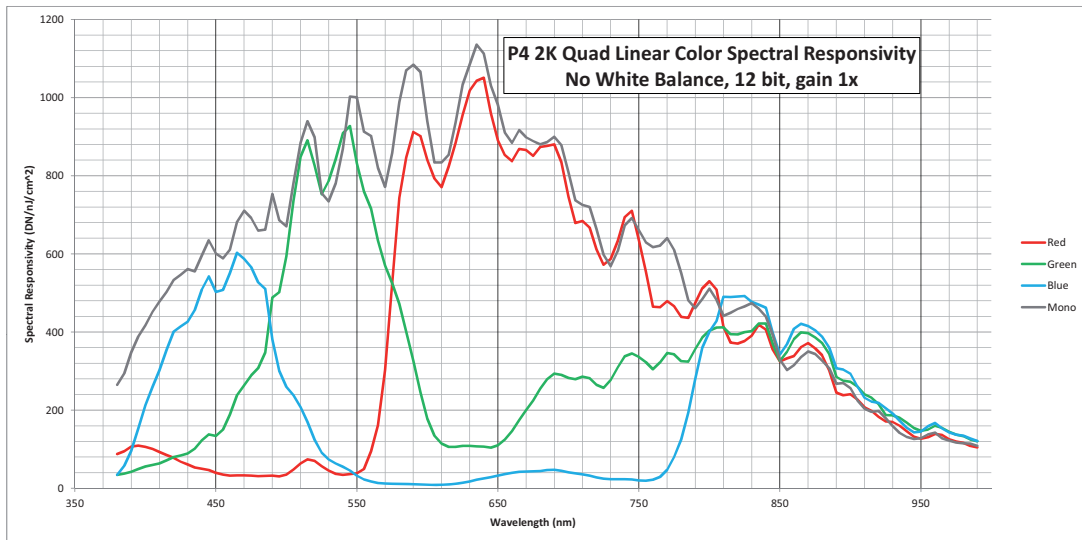
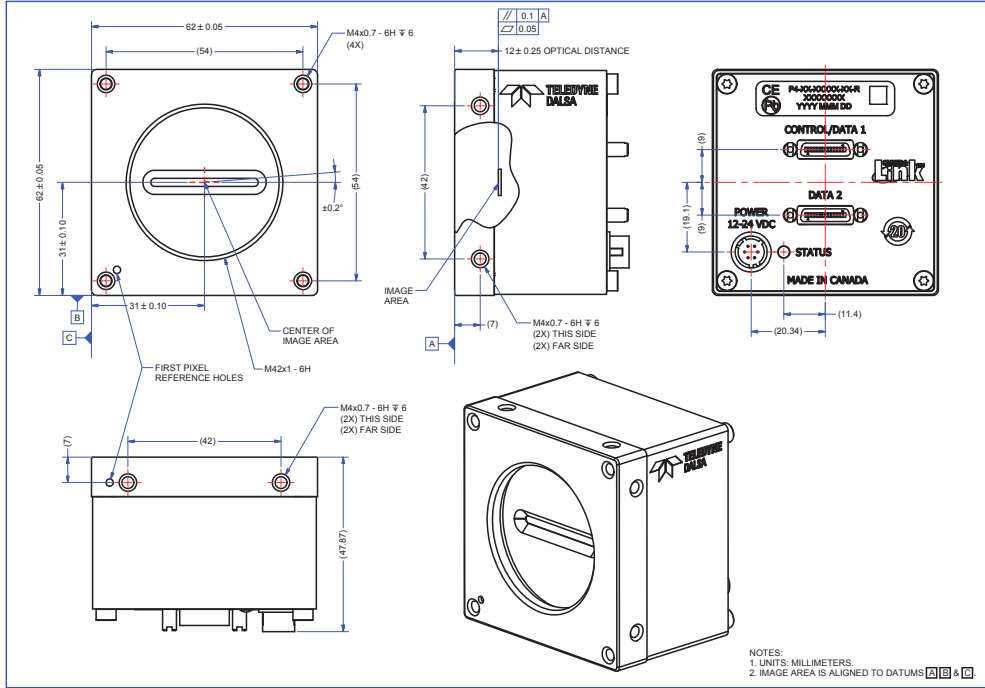
Part Number	Resolution	Maximum Line	Pixel Size
P4-CC-02K07Q-00-R*	2048 x 4 pixels	70 kHz	14.08 $\mu\text{m}$ x 14.08 $\mu\text{m}$

\*With monochrome line



# Piranha4 2K RGB + Mono

High Speed Quadlinear CMOS Cameras



WWW.STEMMER-IMAGING.COM · IMAGING IS OUR PASSION

GERMANY  
AUSTRIA  
Phone: +49 89 80902-0  
info@stemmer-imaging.de

UNITED KINGDOM  
IRELAND  
Phone: +44 1252 780000  
info@stemmer-imaging.co.uk

FRANCE  
Phone: +33 1 45069560  
info@stemmer-imaging.fr

SWITZERLAND  
LIECHTENSTEIN  
Phone: +41 55 415 90 90  
info@stemmer-imaging.ch

THE NETHERLANDS  
BELGIUM · LUXEMBOURG  
Phone: +31 575 798888  
info@stemmer-imaging.nl

**STEMMER**®  
IMAGING