

➤ CM-141 PMCL / CB-141 PMCL Progressive Scan



- *C3 Compact series 2/3" progressive scan camera*
- *Monochrome and Bayer mosaic color versions*
- *1392 (h) x 1040 (v) active pixels*
- *6.45 μm square pixels*
- *30 frames/second triggered and continuous operation with full resolution*
- *Up to 141 frames/second with variable partial scan*
- *50 frames/second with vertical binning (CM-141 PMCL only)*
- *Shutter speed from 63 μs to 2 sec. using Pulse Width Control*
- *Preset shutter from OFF (1/30) to 1/10,000*
- *Fine exposure from 1/15847 to 1/85149 by 1 pixel clock unit*
- *Pre-select, Pulse width and reset continuous trigger modes*
- *Smearless EPS mode available*
- *LVAL-synchronous/-asynchronous operation (auto-detect)*
- *8, 10 or 12-bit output*
- *Setup by Windows 2000/XP via serial communication*
- *Power over Camera Link Interface (PoCL)*
- *Right angle option available*



(Power over Camera Link)



See the possibilities

www.jai.com

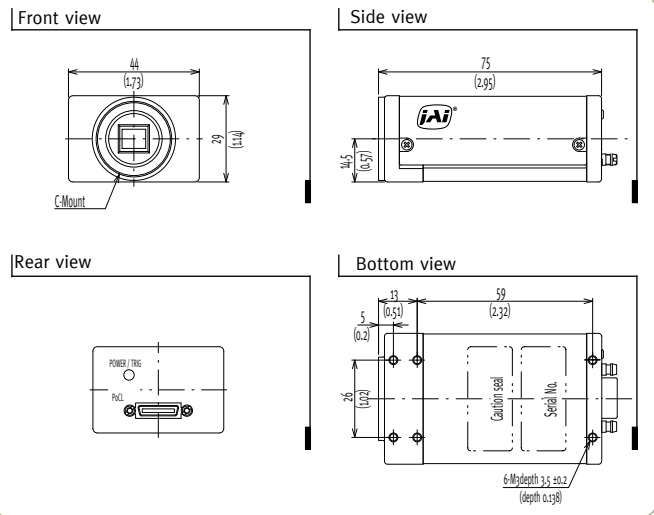
Specifications for CM-141 PMCL / CB-141 PMCL

Specifications	CM-141 PMCL / CB-141 PMCL
Sensor	CM-141 PMCL Sony ICX-285AL 2/3" progressive scan CCD CB-141 PMCL Sony ICX-285AQ 2/3" progressive scan CCD
Pixel Clock	58 MHz
Frame rate full frame	30.12 frames/second (1052 lines per frame)
Active area	8.98 (h) x 6.7 (v) mm 2/3" diagonal
Cell size	6.45 (h) x 6.45 (v) μm
Active pixels	1392 (h) x 1040 (v)
Color (CB-141 MCL)	Selectable Raw Bayer 8, 10 or 12 bit
Read-out modes	Full scan 1392 (h) x 1040 (v) 30.12 fps 2/3 partial scan 1392 (h) x 694 (v) 41.05 fps 1/2 partial scan 1392 (h) x 520 (v) 50.06 fps 1/4 partial scan 1392 (h) x 260 (v) 74.57 fps 1/8 partial scan 1392 (h) x 130 (v) 98.73 fps Vertical binning 1392 (h) x 520 (v) 50.18 fps* (Note) Variable Partical scan Start line from 1 to 1024, high (Lines) from 8 to 1032 *NOTE: CM-141 PMCL only
Sensitivity (CM-141 MCL)	0.03 Lux (On sensor, Max. gain, shutter off, 50% video)
Sensitivity (CB-141 MCL)	0.2 Lux (On sensor, Max. gain, shutter off, 50% video)
S/N ratio	>58dB (0 dB gain)
Video output	8, 10 or 12 bit in Mini-CL
Gain	-3dB to 24dB
Synchronization	Int. X-tal or ext. trigger
Inputs	Camera Link
Outputs	Camera Link
Trigger modes	Edge pre-select, Pulse Width, RCT, Smearless EPS
Electronic shutter	Pre-set shutter speed 1/30 to 1/10,000 in 10 steps Programmable exposure 2L (63 μs) to 1052L (33.19ms) in 1L steps Pulse Width Control 63 μs to 2 sec. Fine exposure 1/15847 to 1/85149 by 1 pixel clock
Accumulation	Auto-detect LVAL-synchr. / asynchr.
Control interface	Mini-CL serial communication
Functions controlled by serial communication	Shutter, Trigger mode, Readout mode, Trigger Polarity, Black level, Gain,
Indicators on rear panel	LED for power and trigger input
Operating Temperature	-5°C to +50°C
Humidity (operation)	20% - 90% non-condensing
Storage temp./humidity	-25°C to +60°C / 20%-90% non-condensing
Vibration	10G (20Hz to 200 Hz XYZ)
Shock	70G
Regulations	CE (EN 61000-6-2, EN-61000-6-3), FCC part 15 class B, RoHS/WEEE
Power	PoCL Standard
Lens mount	C-mount
Dimensions (H x W x L)	29 x 44 x 75 mm (standard) 29 x 44 x 93.5 mm (with Right Angle)
Weight	130 g (standard) 160 g (with Right Angle)

Ordering Information

CM-141 PMCL	2/3" Monochrome Progressive Scan (standard)
CB-141 PMCL	2/3" Bayer Mosaic Color Progressive Scan (standard)
CM-141 PMCL-RA	2/3" Monochrome Progressive Scan (with Right Angle)
CB-141 PMCL-RA	2/3" Bayer Mosaic Color progressive Scan (with Right Angle)

Dimensions



Connector pin-out

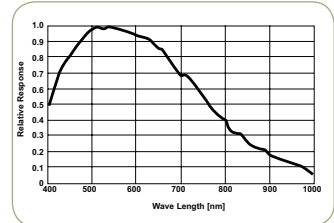
Mini-CL interface



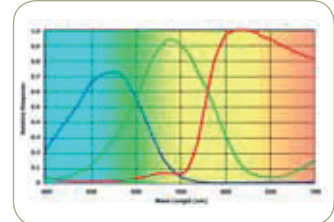
Pin	Signal	Function
1	26	Power DC+12V
2	15	-/+ Tx0 CL Data
3	16	-/+ Tx1 CL Data
4	17	-/+ Tx2 CL Data
5	18	-/+ Txclk CL clk
6	19	-/+ Tx3 CL Data
7	20	+/- SerTC Serial in
8	21	-/+ SerTFG Serial out
9	22	CC1-/CC1+ Ext. trig*
10	23	CC2+/CC2- Not used
11	24	CC3-/CC3+ Not used
12	25	CC4+/CC4- Not used
13	14	GND

* in Mini-CL or 12-pin Hirose

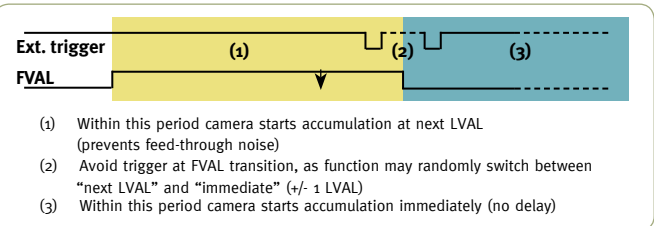
Spectral Response CM-141 PMCL



Spectral Response CB-141 PMCL



FVAL auto-detect trigger function (next LVAL or immediate)



- Within this period camera starts accumulation at next LVAL (prevents feed-through noise)
- Avoid trigger at FVAL transition, as function may randomly switch between "next LVAL" and "immediate" (+/- 1 LVAL)
- Within this period camera starts accumulation immediately (no delay)