

The IP67 compatible LED lights for harsh environments

IQ Series

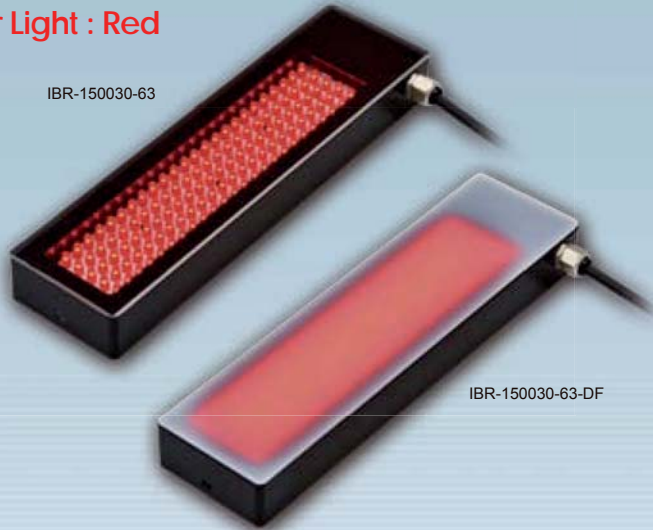
Ring Light : Red



Ring Light : White



Bar Light : Red



Bar Light : White



Flat Light : Red



Flat Lights : White



Specifications

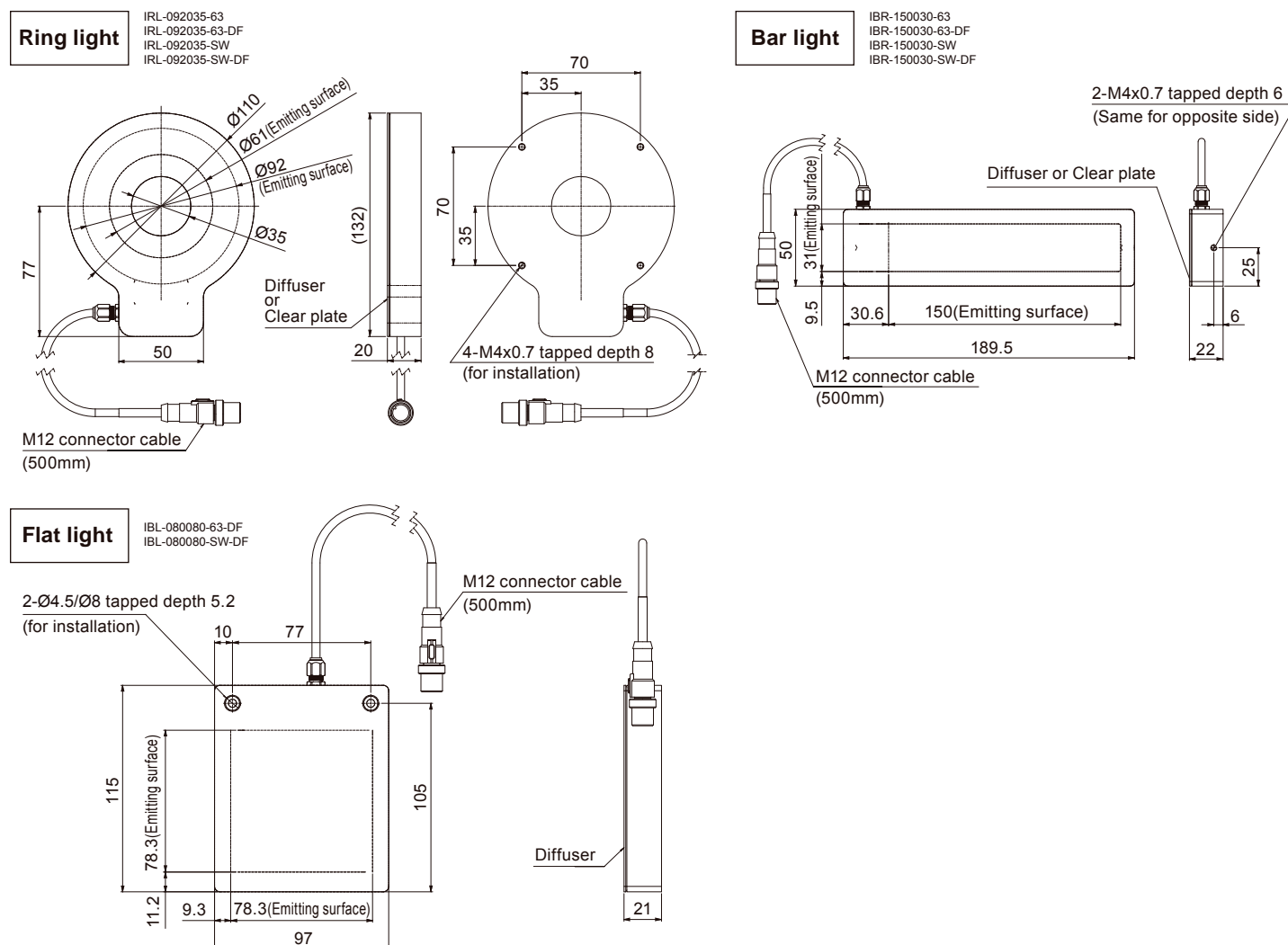
Common Specifications

| | |
|------------------------------------|--|
| Input Voltage | 24 V DC |
| Cable length | 0.5 m |
| Input Connector | M12 male 4 pins connector |
| Polarity & Signal | 1: + (Brown) / 2: NC(White) / 3: - (Blue) / 4: Signal (Black) |
| ON/OFF | ON: 0V, OFF: 24V |
| Wavelength(typ.) | Red: 630 nm, White: 6,000 K |
| Operating Temperature and Humidity | Temperature: 0 to 40°C, Humidity: 20% to 100% , IP67 |
| Storage Temperature and Humidity | Temperature: -20 to 60°C, Humidity: 20% to 85% RH (with no condensation) |
| Cooling Method | Natural air cooling |

Model Specifications

| Type | Model | LED Color | Type of lighting | Power Consumption (max.) | Weight (max.) |
|------------|------------------|-----------|------------------|--------------------------|---------------|
| Ring light | IRL-092035-63 | Red | Direct | 6 W | 400 g |
| | IRL-092035-63-DF | | Diffused | | |
| | IRL-092035-SW | White | Direct | 7 W | |
| | IRL-092035-SW-DF | | Diffused | | |
| Bar light | IBR-150030-63 | Red | Direct | 6 W | 440 g |
| | IBR-150030-63-DF | | Diffused | | |
| | IBR-150030-SW | White | Direct | 8 W | |
| | IBR-150030-SW-DF | | Diffused | | |
| Flat light | IBL-080080-63-DF | Red | Diffused | 8 W | 420 g |
| | IBL-080080-SW-DF | White | | 12 W | |

Dimensions Diagrams (Unit: mm)



NOTICE

- To ensure proper and safe use of the product, please read Instruction Guide before using the product.
- For product improvement, specifications and designs are subject to change without notice.