

MetaBright™ High Power Diffuse Tube Light

Model#: MB-DT306



- Patent-pending LED heat management for consistent performance
- Optical grade reflector coating reflects 99.9% of light for optimum diffused output
- High intensity and uniform, non-directional illumination across entire lighting hemisphere for area scan
- Ideal for highly reflective surfaces and textured or topographic objects
- Provides cloudy day illumination, minimizing shadows and glare
- Enclosed workspace blocks interference of ambient light
- Strobe & dimming options

Specifications:

Current Consumption	2.5A @24VDC
Housing	Aluminium
Finish	Powder Coated Black
Intensity Uniformity	+/-5%
Weight	6lbs/2,721g
Operating Temperature	120° F Max
Illuminance	35,000 Lux
Compliance	CE/RoHS
Lifetime Hours	75,000 Hours

Active Area

7 x 15 in
177.8mm x 381mm

Dimensions

10 in x 17.75 in x 3.875
254mm x 450.85mm x 98.42

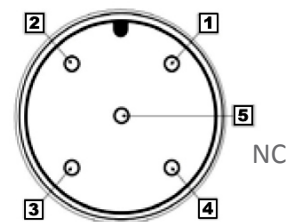
Wiring Diagram

Flying Leads	Function
RED	+24VDC
BLACK	Ground

18 AWG 4 WIRES CABLE X 1
When not using intensity control, connect 0-10V control line to +24 (Max Intensity Control = 25V) and intensity control ground to ground

M12 Connector

PIN #	Function
1	+24VDC
2	0-10VDC Intensity Control
3	Ground
4	Signal Ground

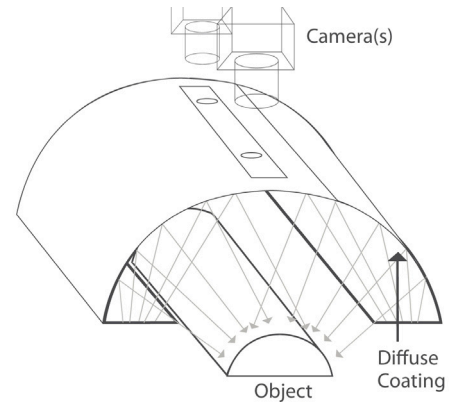


ORDERING INFORMATION:

• M B - D T 3 0 6	-	<input type="checkbox"/>	-	2	4	-	<input type="checkbox"/>
		W	White 6000k				*BLANK
		R	Red 630nm				T
		G	Green 530nm				ILD
		B	Blue 455 nm				ILS
		IRN	Infrared 850nm				LL
		UVL	UV Long 395nm				
		UVS	UV Short 365nm				
							10 ft. Flying Leads
							M12 Quick Disconnect
							In Line Dimmer
							In Line Strobe (customer provide trigger info)
							Long Focal Lens

MetaBright™ High Power Diffuse Tube Light

Model#: MB-DT306

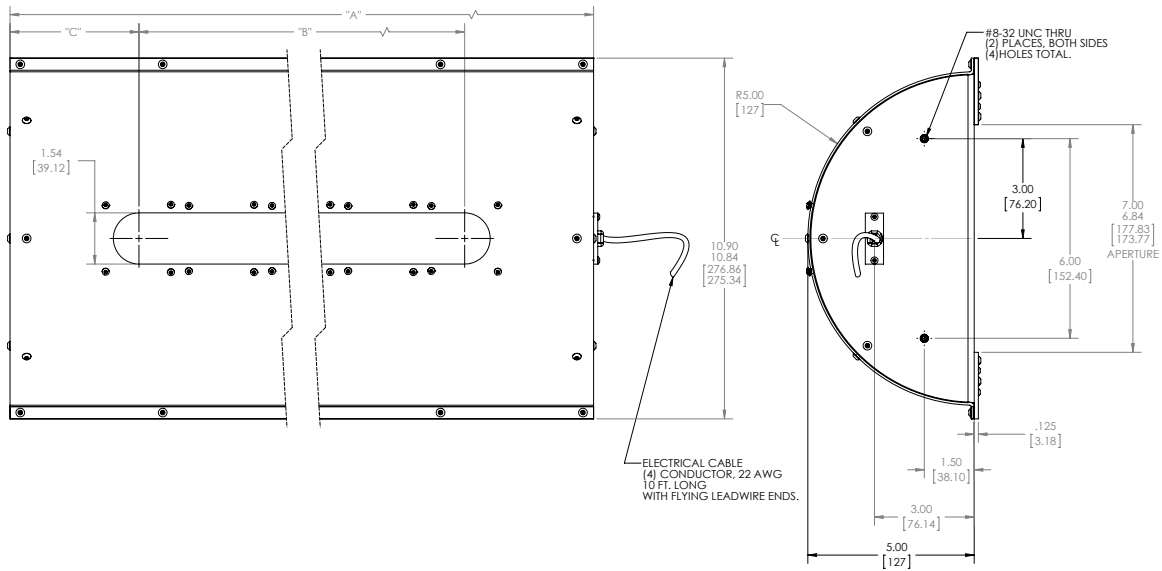


Contact Us:

Contact your Metaphase Technologies Representative for options including: Diffuser Choice, Polarizer & Light Control Film, Specific Intensity & Uniformity, & Wavelength.

Drawing/Diagram

REVISIONS				
ZONE	REV.	DESCRIPTION	DATE	APPROVED
	A	ADJUSTED DIMS FOR DTS06, RW	9/9/2011	



MB-DT506	HIGH POWER DIFFUSED TUBE 7" X 38"	38.50 [978]	33.6 [853]	2.45 [62.2]
MB-DT406	HIGH POWER DIFFUSED TUBE 7" X 27"	28.9 [734]	21.15 [537]	3.875 [98.4]
MB-DT306	HIGH POWER DIFFUSED TUBE 7" X 15"	17.75 [451]	10.00 [254]	3.875 [98.4]
PART NO.	DESCRIPTION	"A" DIM.	"B" DIM.	"C" DIM.

UNLESS OTHERWISE SPECIFIED:		NAME	DATE	METAPHASE TECHNOLOGIES, INC.	
DIMENSIONS ARE IN INCHES	DRAWN	RW	9-7-11	TITLE:	
TOLERANCES:	CHECKED			DIFFUSED TUBE LIGHT	
FRACTIONS & ANGULAR INCHES	ENG APPR.			SIZE DWG. NO. C MB-DTXXX A	
THREE PLACE DECIMAL	MFG APPR.			SCALE: 1:1 WEIGHT: SHEET 1 OF 1	
INTERPRET GEOMETRIC TOLERANCING PER:	COMMENTS:				
MATERIAL:					
PROPRIETARY AND CONFIDENTIAL	APPLICATION				
THE INFORMATION CONTAINED IN THIS DRAWING IS THE SOLE PROPERTY OF METAPHASE TECHNOLOGIES, INC. REPRODUCTION IN PART OR AS A WHOLE WITHOUT THE WRITTEN PERMISSION OF METAPHASE TECHNOLOGIES, INC. IS PROHIBITED.	APP.:				
NEXT ASSY:	USED ON:				
FINISH:	DO NOT SCALE DRAWING				